

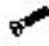


| COMPONENT LISTS | | HARDWARE LISTS | | | |
|-----------------|---|----------------|---|---|------------------|
| ① | 1 | A |  | 6 | 8*50MM HEX SCREW |
| ② | 2 | B |  | 1 | HEX WRENCH |
| | | C |  | 6 | FOOT NAIL |

FIG.
1

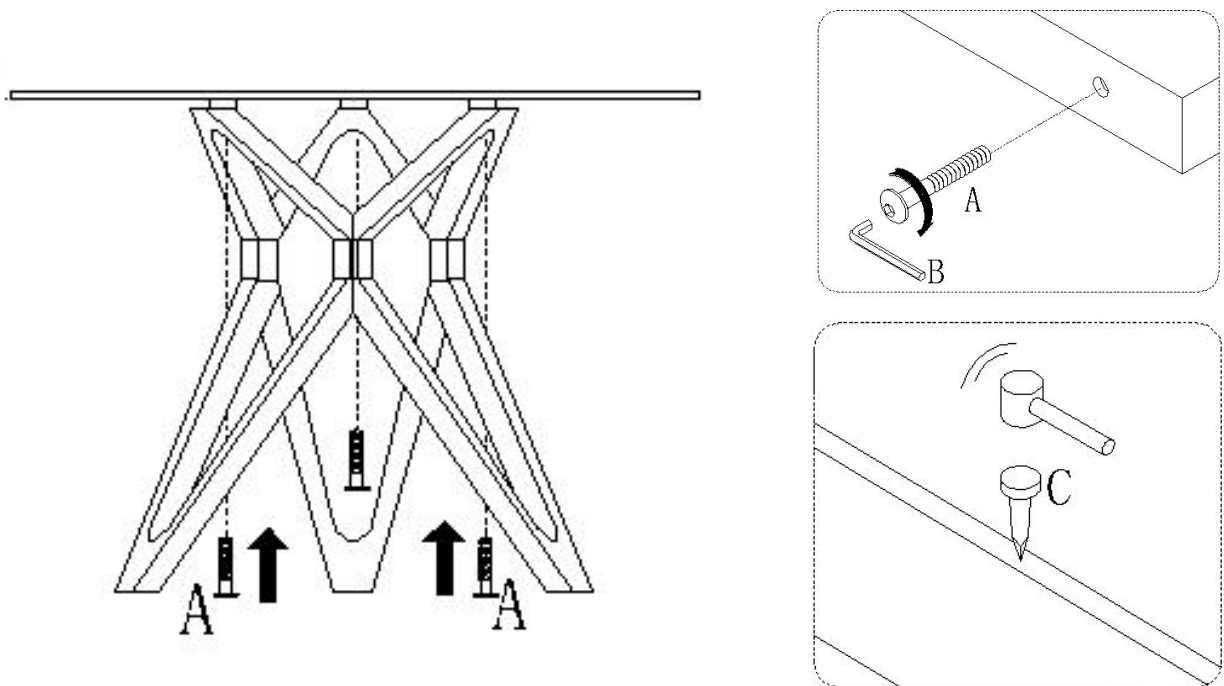


FIG.
2

