






SETTING FITTINGS					
FITTINGS	SPEC.	AMOUNT	FITTINGS	SPEC.	AMOUNT
A	 M8x20	6pcs	B	 M8x10	4pcs
C	 5mm	1pcs	D	 $\Phi 5$	9pcs
E	 50x10x1	8pcs			

FIG.
1

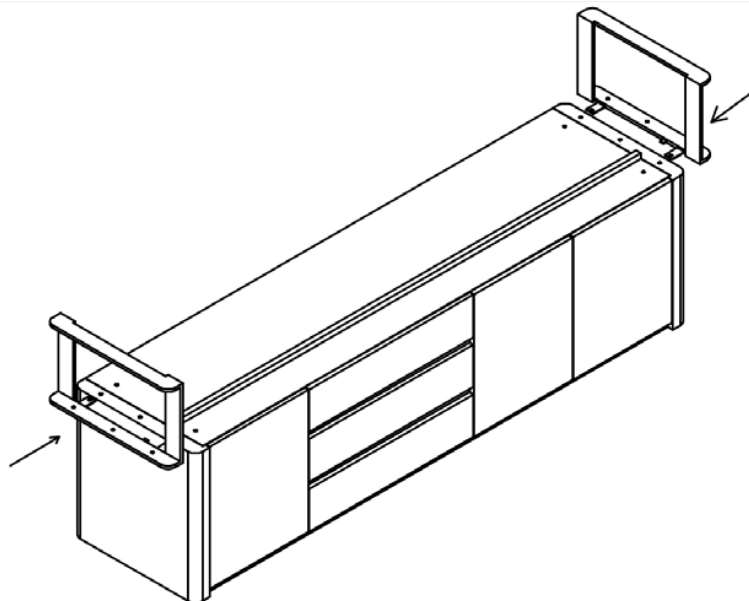


FIG.
2

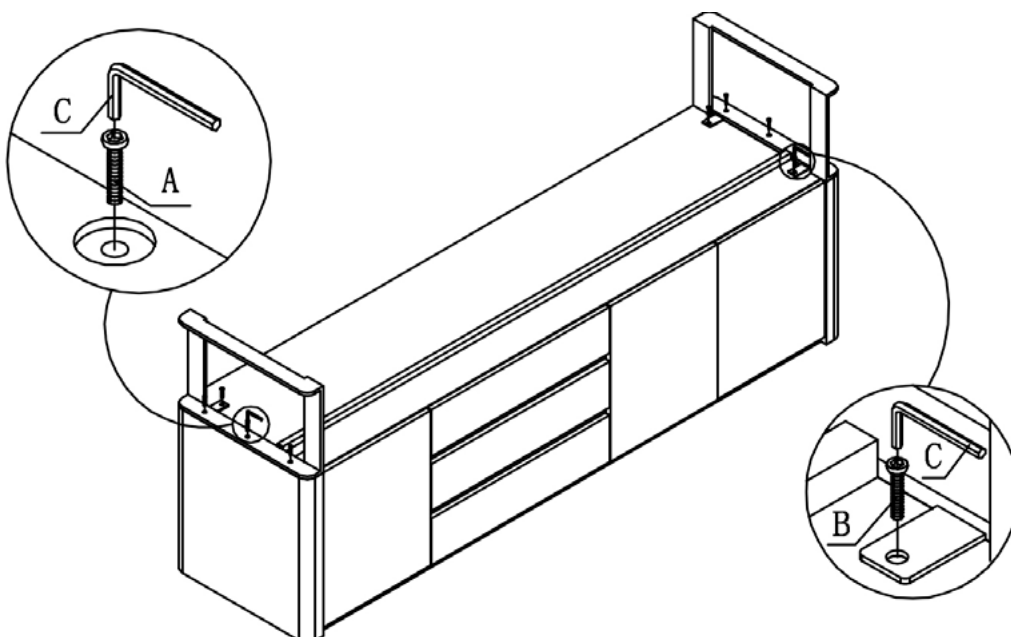


FIG.
3

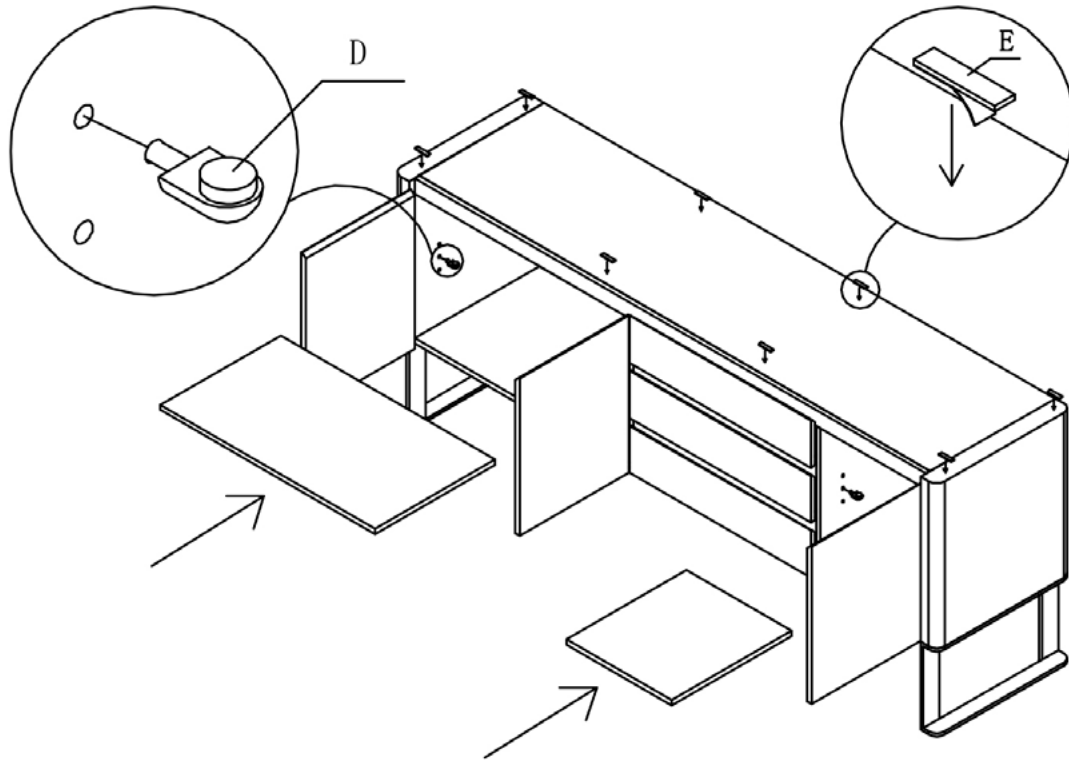


FIG.
4

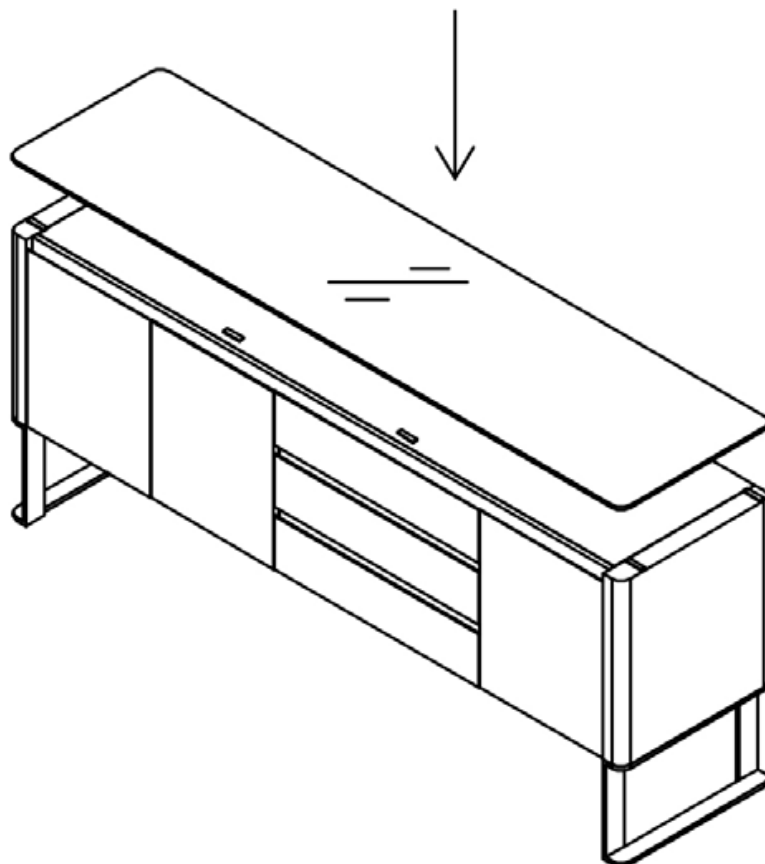


FIG.
5

