

A-3703

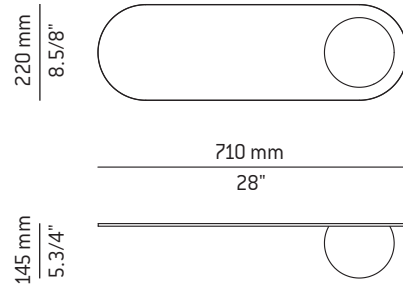
493037031

Illuminated oval mirror with glass shade and an integrated dimmable LED providing direct and indirect light.

Espejo oval iluminado con pantalla de cristal y LED regulable integrado que proporciona luz directa e indirecta.



Ø 160 mm
Ø 6.1/4"



Warning

PRODUCT IS TO BE INSTALLED BY A QUALIFIED ELECTRICIAN ONLY
LE PRODUIT DOIT ÊTRE INSTALLÉ PAR UN ÉLECTRICIEN QUALIFIÉ UNIQUEMENT
EL PRODUCTO DEBE SER INSTALADO SOLO POR UN ELECTRICISTA CUALIFICADO

WE RECOMMEND TO READ THE INSTRUCTIONS ENTIRELY BEFORE BEGINNING THE INSTALLATION
PLEASE SAVE THE INSTRUCTIONS FOR FUTURE REFERENCE

* Make sure the power has been disconnected before installing the fixture.

* For indoor use only.

* Do not use alcohol or solvents to clean the lamp

* For your convenience, assembly by two people is recommended.

This product contains a light source of energy efficiency class F.

The light source of this luminaire is not replaceable.

Once the light source's lifecycle ends, you may contact the manufacturer.

The flexible outer cable of this luminaire cannot be replaced; in the event that it is damaged, the luminaire must be dismantled or sent to the factory for repair. 230V / P.F Tends to 1

LE RECOMENDAMOS LEA LAS INSTRUCCIONES ANTES DE PROCEDER A LA INSTALACIÓN
GUARDE LAS INSTRUCCIONES PARA FUTURAS REFERENCIAS

* Asegúrese de que la corriente está desconectada antes de conectar el aparato.

* Únicamente para uso en interiores.

* Para limpieza no utilizar alcohol ni disolventes

* Recomendamos la intervención de 2 personas para el montaje de la lámpara.

Este producto contiene una fuente luminosa de la clase de eficiencia energética F. La fuente de luz de esta luminaria no es reemplazable.

Cuando la fuente de luz alcance el final de su vida, debe ponerse en contacto con el fabricante para su reparación. El cable flexible exterior no puede sustituirse; en el caso de que esté dañado, la luminaria debe ser enviada a fábrica para su reparación. 230V / FP Tiende a 1



UL 1598 ELECTRICAL INSTRUCTIONS FOR FLUSHMOUNTS, WALL SCONCES AND PENDANTS

SAVE THESE INSTRUCTIONS. MIN 90C SUPPLY CONDUCTORS. CAUTION-RISK OF FIRE. USE STATED WATT OR SMALLER. CAUTION-RISK OF SHOCK. DISCONNECT POWER BEFORE SERVICING. TO REDUCE THE RISK OF A BURN DURING RELAMPING, ALLOW THE BULB TO COOL DOWN. SUITABLE FOR DAMP LOCATION. THIS PRODUCT MUST BE INSTALLED IN ACCORDANCE WITH THE APPLICABLE INSTALLATION CODE BY A PERSON FAMILIAR WITH THE CONSTRUCTION AND OPERATION OF THE PRODUCT AND THE HAZARD INVOLVED.

WARNING: ALL WIRES AND WIRE NUTS USED IN THE INSTALLATION MUST BE RATED 195F (90°C). FOR INDOOR USE ONLY. THESE PRODUCT MUST BE INSTALLED BY A QUALIFIED ELECTRICIAN.

Assembly instructions / Instrucciones

- 1 - Unscrew the nuts (A) that can be found in back of the glass shade (B) and remove the 2 washers (C and D). Fit the glass shade (B) onto the mirror (E). Use the big hole for the electrical cables (F). Again situate the previously removed elements (D, C and A) for attaching the glass shade (B) to the mirror (E).

Figure 1

- 1 - Desenroscar las tuercas (A) que se encuentran detrás del globo de cristal (B) y sacar las 2 arandelas (C y D). Encajar el globo de cristal (B) en el espejo (E). Utilizar el agujero grande para los cables eléctricos (F). Volver a colocar los elementos retirados previamente (D, C y A) para fijar la bola (B) al espejo (E).

Figura 1

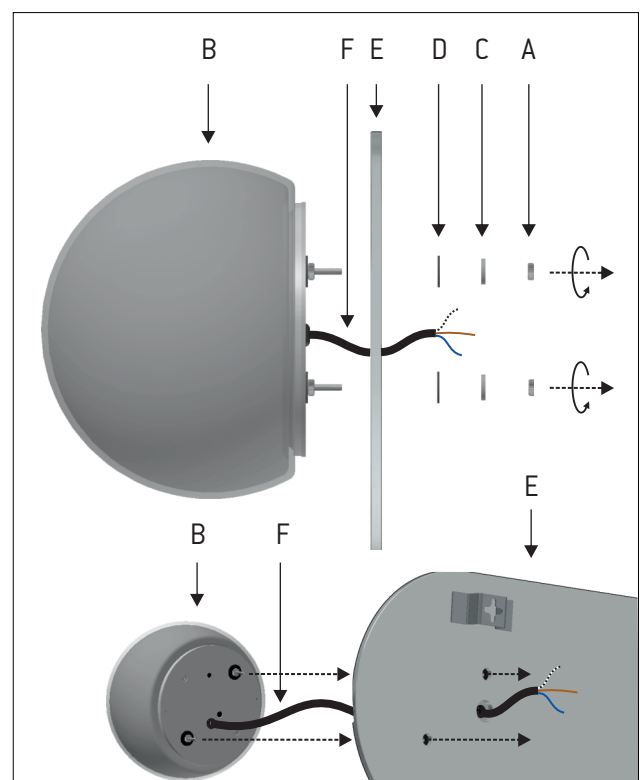


Figure 1

- 2 - Mark two **horizontal** points (H) on the wall at a distance of: 160mm (6.1/4") between them for vertical shape or 450mm (17.3/4") between them for horizontal shape. Affix two screws (J) on the marks leaving sufficient margin in order to attach the support to the screen (K).
*Screws (J) not supplied.

Figure 2.

- 2 - Marcar dos puntos **horizontales** (H) en la pared a una distancia de 160mm (6.1/4") entre ellos para la posición vertical o 450mm (17.3/4") entre ellos para la posición horizontal. Fijar dos tornillos (J) en las marcas dejando un margen suficiente para colocar el soporte de la pantalla (K).

*Tornillos (J) no suministrados.

Figura 2.

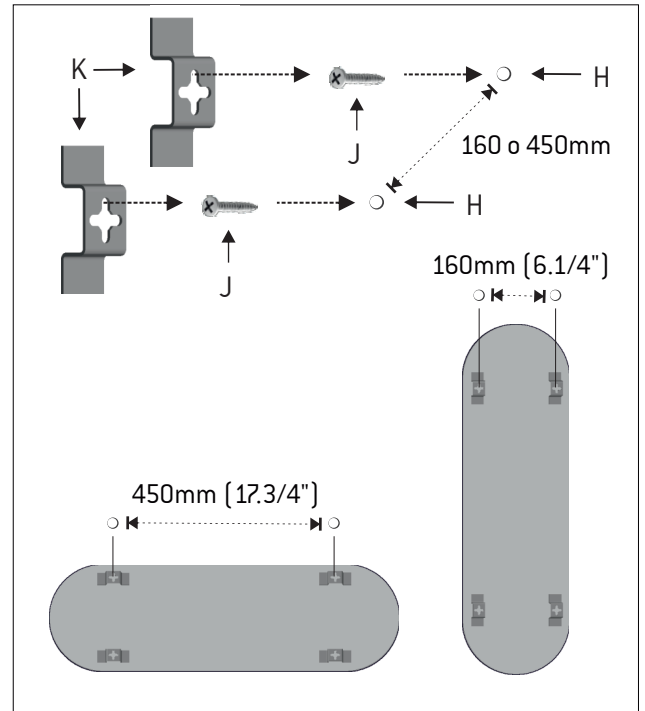


Figure 2

3A - **WORLDWIDE except USA and CANADA**

Make the electrical connections within the supplied powerstrip (G) in order to assure water tightness.
Figure 3A.

3A - **INTERNACIONAL excepto USA y CANADA**

Realizar las conexiones eléctricas dentro de la regleta suministrada (G) para asegurar la estanqueidad.
Figura 3A.

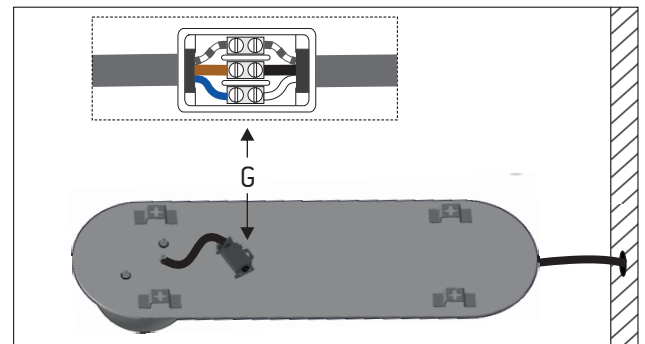


Figure 3A

3B - **ONLY para USA y CANADA**

Make the electrical connections within the junction box.
Figure 3B.

3B - **SOLAMENTE para USA y CANADA**

Realizar las conexiones eléctricas dentro de la caja de conexiones.
Figura 3B.

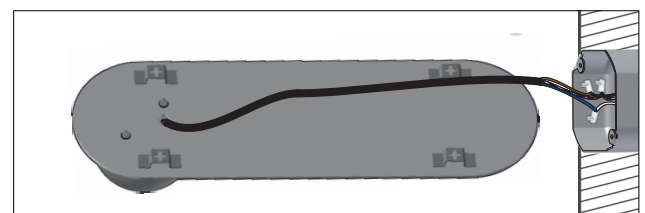


Figure 3B

- 4 - Introduce the screws (J) into the holes of the supports (K) and leave the mirror hung from the vertical slots.
Figure 4.

- 4 - Introducir los tornillos (J) por los agujeros de los soportes (K) y dejar el espejo colgado de las ranuras verticales.
Figura 4.

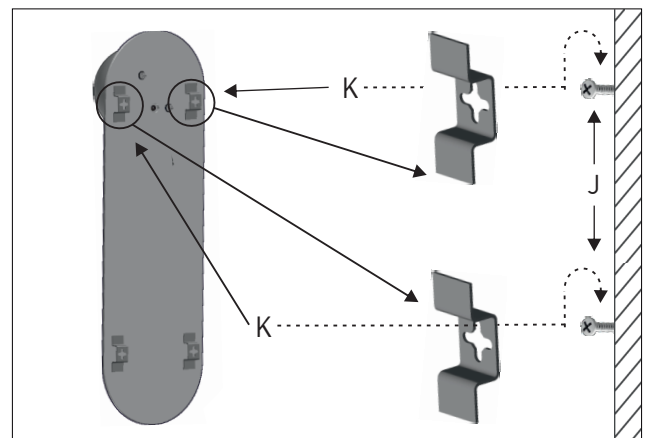


Figure 4