

MANILA C GR
by Sebastian Herkner, 2019

Ceiling lamp. Structure in golden matt or graphite matt electropated steel. Inner diffuser in beige o grey fabric, outer diffuser in blown transparent or black transparent glass.

Type: Ceiling lamp

Environment: Indoor

Structure: Steel

Diffuser: Glass and fabric


Voltage: 230 V

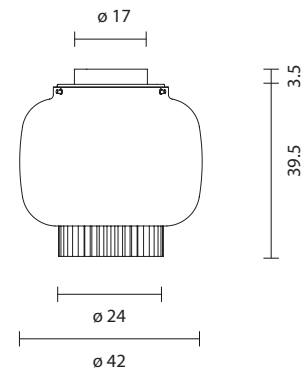
Supply: Terminal strip


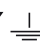
Light source: E27 LED A70 18W

MANILA C GR

151000140929 transparent diffuser
151000140930 black transparent diffuser

 5.5 kg
8.2 kg



CE   IP-20