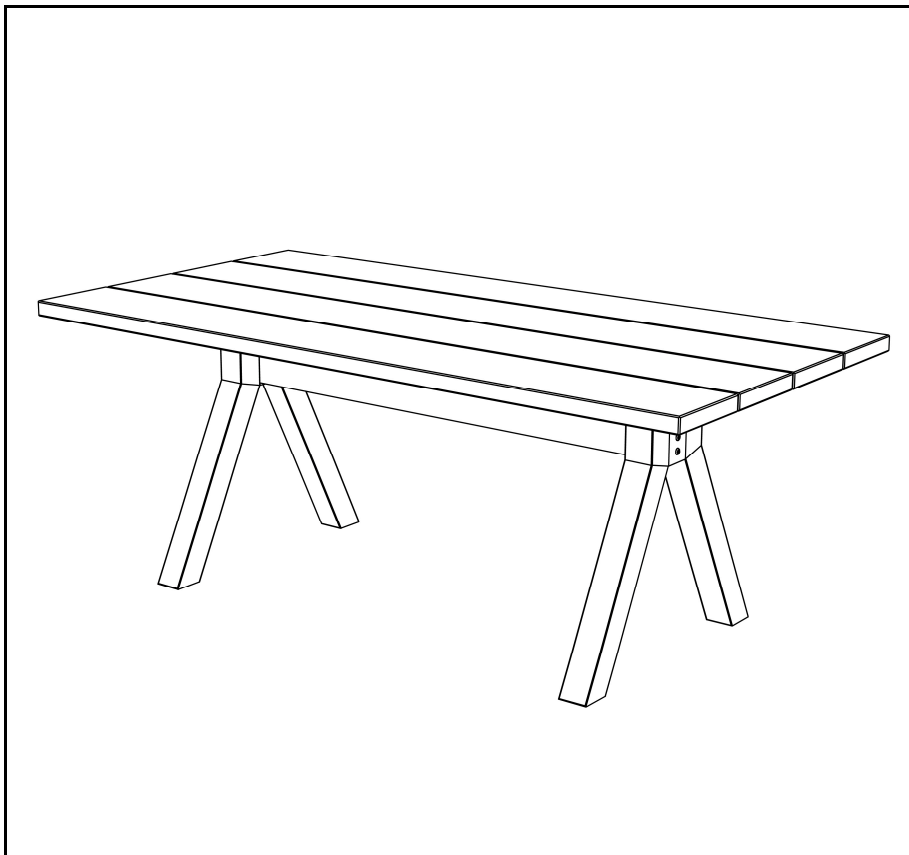


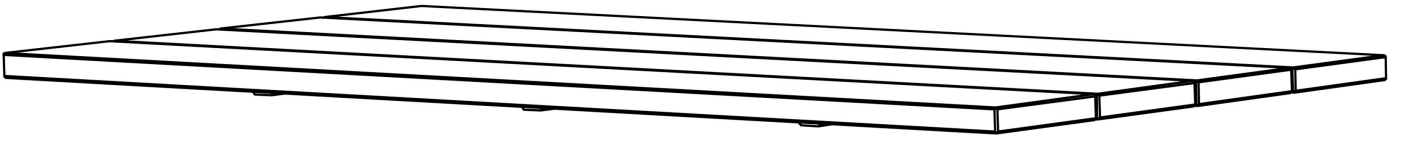


wherever you are

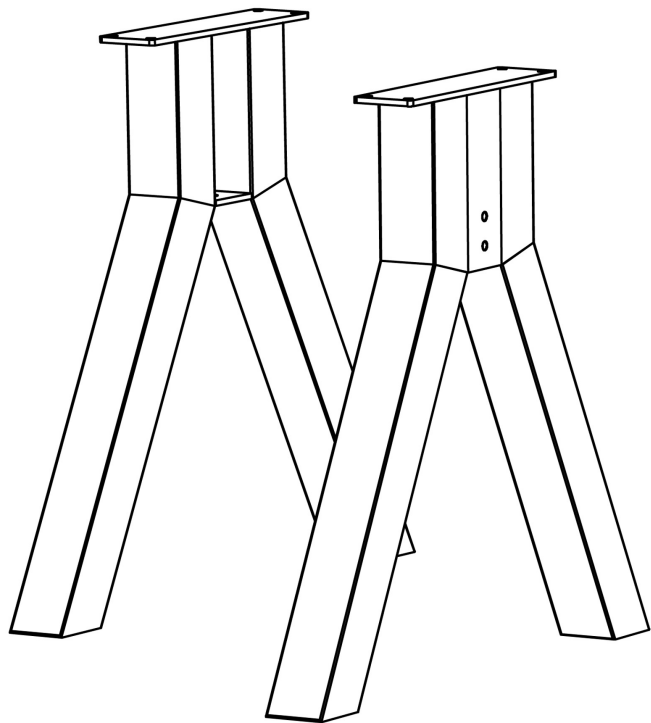


ASSEMBLING INSTRUCTION
**ALASKA RECTANGULAR
DINING TABLE**

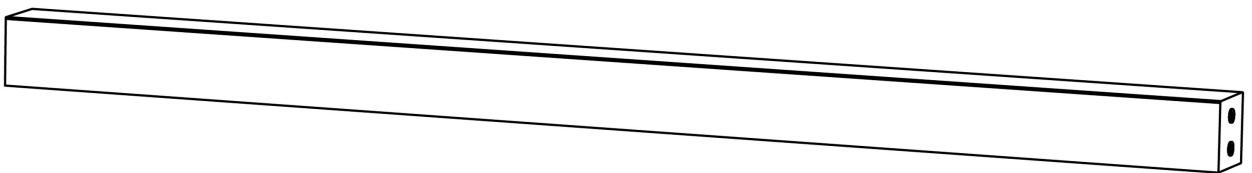
PART LIST



1. Table Top
(1 piece)

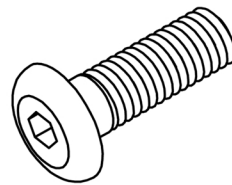
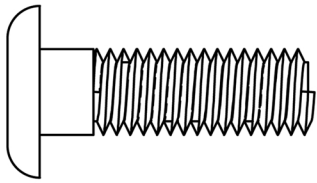


2. Table Base
(2 pieces)

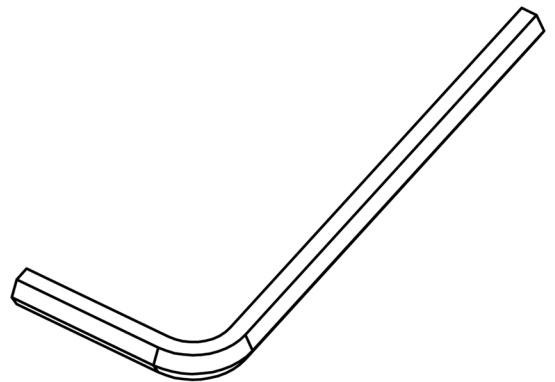


3. Table Base Support
(1 piece)

HARDWARE LIST



A. BOLT JCBC M8 X 25 (14 Pcs)



B. ALLEN KEY L - 5 (1 PC)

ASSEMBLING INSTRUCTION

