



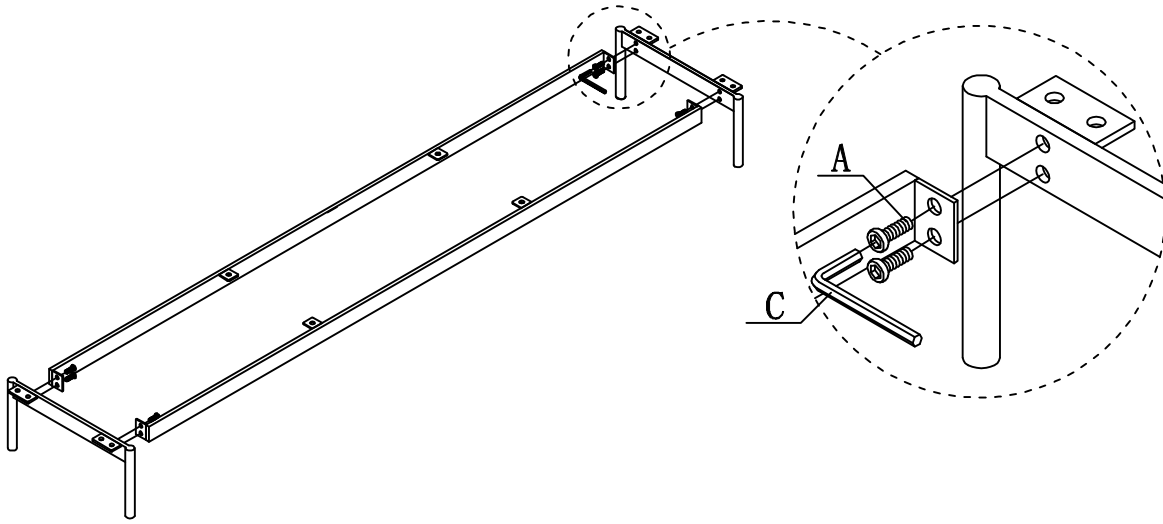
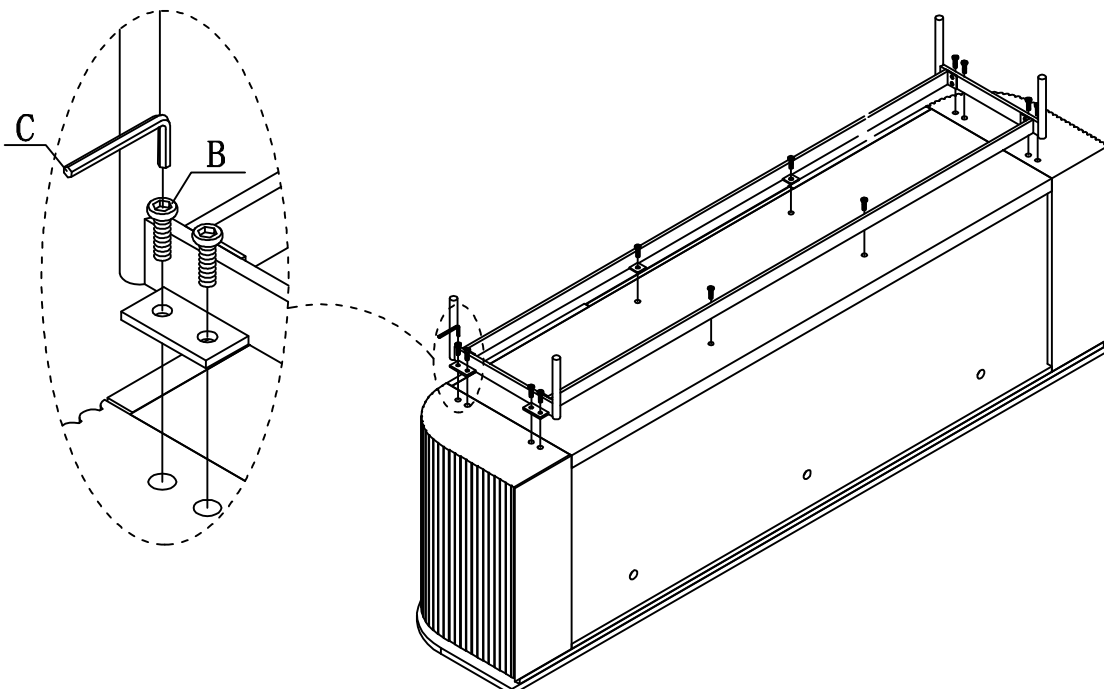


SETTING FITTINGS			DR-413M-01-A		
FITTINGS	SPEC.	AMOUNT	FITTINGS	SPEC.	AMOUNT
A	 M8x10	8pcs	B	 M8x20	12pcs
C	 5mm	2pcs	D	 $\phi$ 5	8pcs





**FIG.**  
**1**



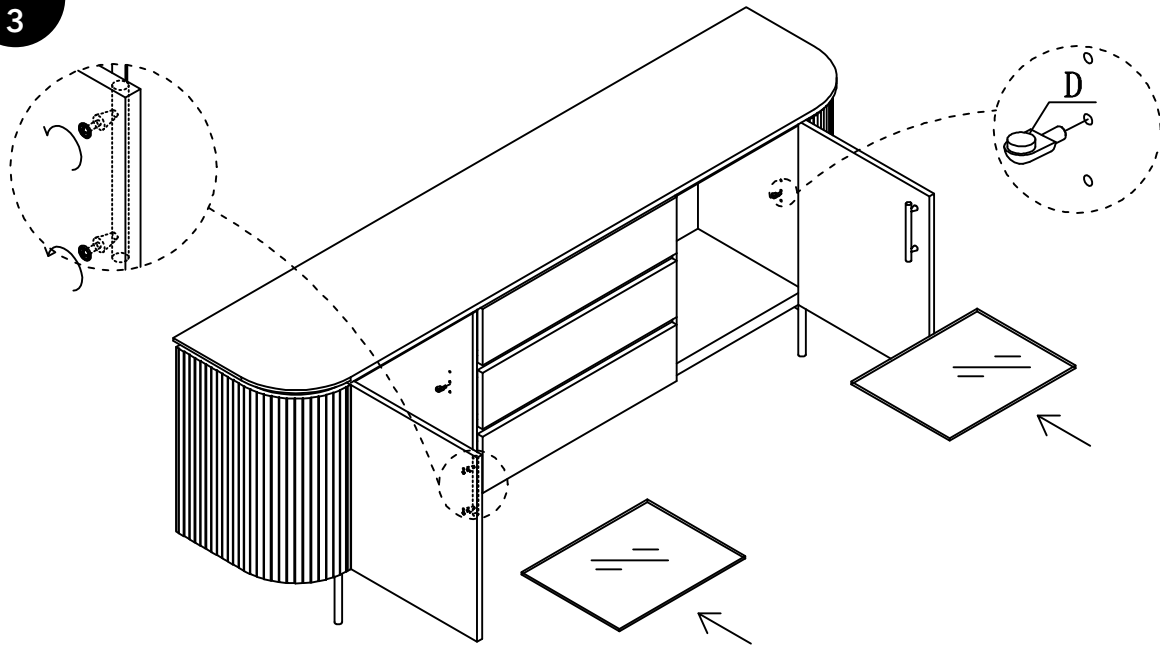
**FIG.**  
**2**



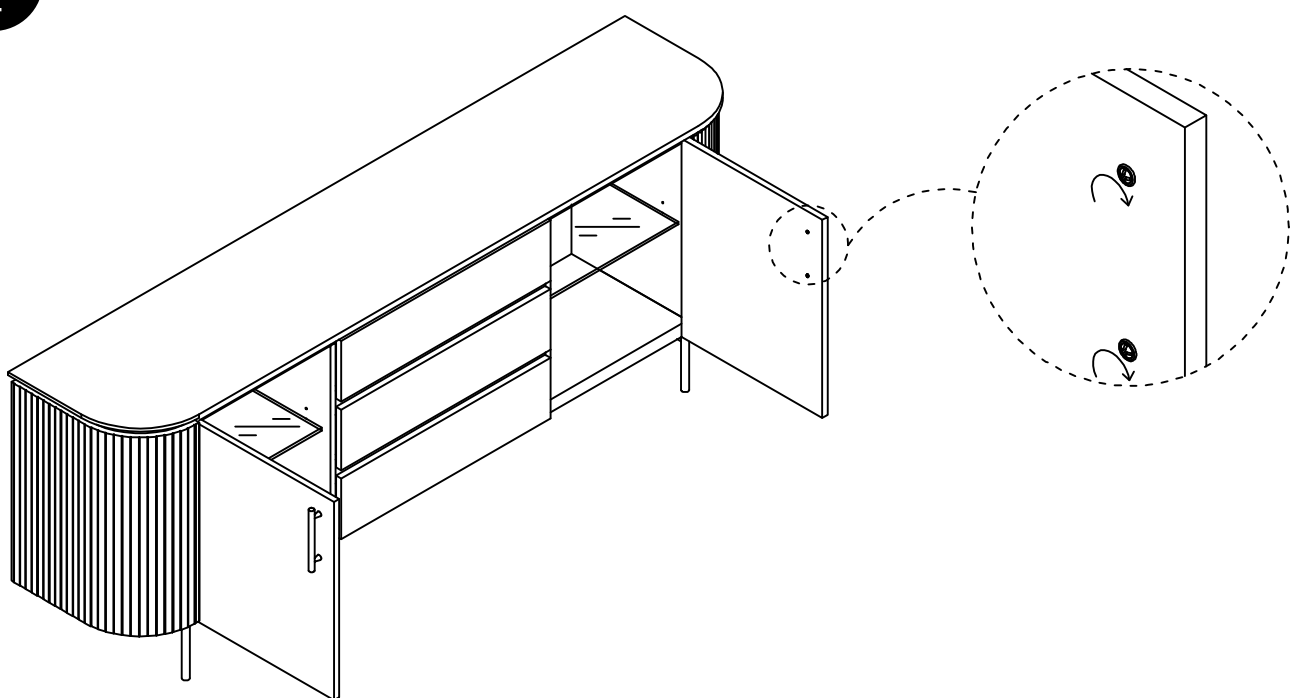
ASSEMBLY INSTRUCTION  
3228-413M-2283





SETTING FITTINGS			DR-413M-01-A		
FITTINGS	SPEC.	AMOUNT	FITTINGS	SPEC.	AMOUNT
A	 M8x10	8pcs	B	 M8x20	12pcs
C	 5mm	2pcs	D	 $\phi 5$	8pcs

**FIG.**  
**3**



**FIG.**  
**4**



SETTING FITTINGS			DR-413M-01-A		
FITTINGS	SPEC.	AMOUNT	FITTINGS	SPEC.	AMOUNT
A	 M8x10	8pcs	B	 M8x20	12pcs
C	 5mm	2pcs	D	 $\phi$ 5	8pcs

**FIG.**  
**5**

