

TECHNICAL CHARACTERISTICS

MBAIRBRB

Bai

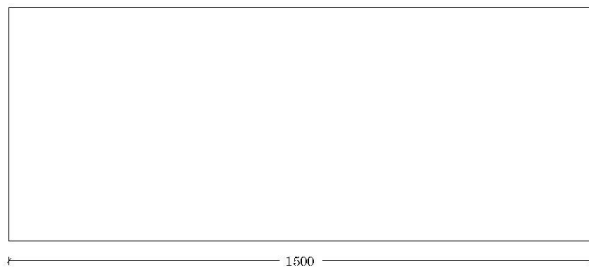
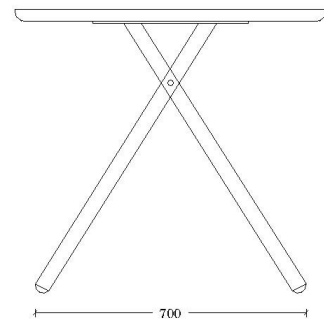
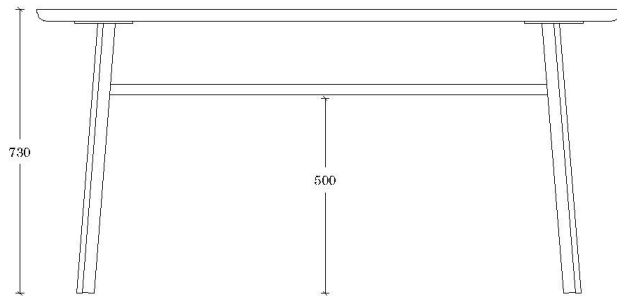
Wood table

Bai wood table, with its unique crossed frame. Its wooden frame, rationalist and futuristic, is here to conquer any space.

DESIGNED BY ANDER LIZASO



ondarreta



DIMENSIONS

Height: 74 cm (29,1")
 Free height: 71 cm (28")
 180 cm x 90 cm (70,8" x 35,4") [width x depth]
 200 cm x 90 cm (78,7" x 35,4") [width x depth]
 240 cm x 90 cm (94,5" x 35,4") [width x depth]

WEIGHT

47 kg [103,6 lb] (180 x 90)
 51 kg [112,4 lb] (200x90)
 59 kg [130 lb] (240x90)

PACKAGING

180 cm x 90 cm
 box 1: 195 cm x 100 cm x 15 cm (76,8" x 39,4" x 5,9")
 box 2: 100 cm x 60 cm x 15 cm (39,4" x 23,6" x 5,9")

200 cm x 90 cm

box 1: 215 cm x 100 cm x 15 cm (84,6" x 39,4" x 5,9")

box 2: 100 cm x 60 cm x 15 cm (39,4" x 23,6" x 5,9")

240 cm x 90 cm

box 1: 255 cm x 100 cm x 15 cm (100,4" x 39,4" x 5,9")

box 2: 100 cm x 60 cm x 15 cm (39,4" x 23,6" x 5,9")

ACCESORIES

Access hole

Top Access (white or black)

Top Access + Standard power/data (white or black)

Vertical cable tidy (white or black)

ORIGIN

100% Made in Europe

DESIGN

Ander Lizaso



COMPONENTS

LEGS

Solid beech wood

50 mm (1.9") thickness solid beech.

Medium density: 720 kg/m³ (44.9 lb/ft³); Flex Strength: 1120 kg/cm² (15,900 psi); Tensile Strength: 1210 kg/cm² (17,200 psi)

Solid oak wood

50 mm (1.9") thickness solid oak.

Medium density: 720 kg/m³ (44.9 lb/ft³); Flex Strength: 950 kg/cm² (13,500 psi); Tensile Strength: 980 kg/cm² (13,900 psi); Fungus and termite resistance.

Finish

Stained

TABLETOP

Laminate + birch plywood

High pressure laminate glued and pressed in high temperatures on a Birch plywood wood table with beveled chants.

Arpa fenix + birch plywood

Combination of arpa fenix sheet and beveled birch plywood. Arpa fenix is an extremely opaque, anti-fingerprint and nanotechnological material that heals superficial micro-scratches.

Technical characteristics:

Urea-formol glue: low formaldehyde emission (E1 European Normative)

The wood has the PEFC certificate.

WOOD FINISHES

STAIN

Pigmented enamel with a transparent stain coating. Reactive drying paints: excellent adherence between layers and better mechanical resistance.

Technical characteristics:

Satisfying UNE-EN 71-3 normative; Formaldehyde free compounds.