

TALISMAN • CONSOLE
REF. TALISMAN

WEIGHT

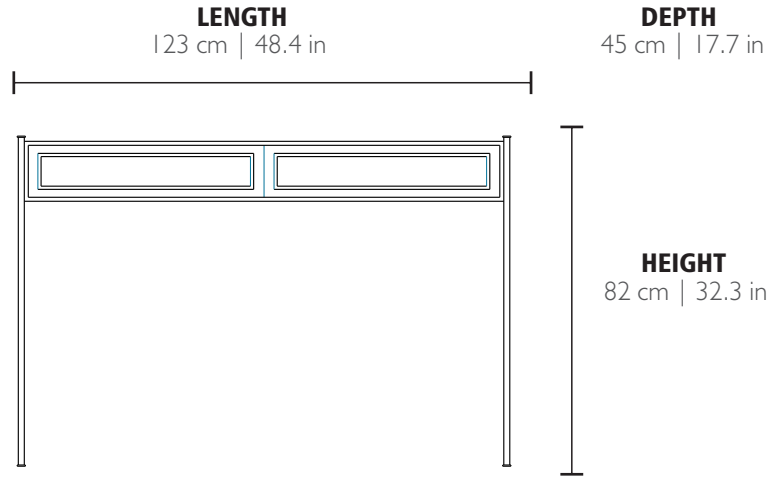
Net Weight: 41kg | 90.4 lbs
Gross Weight: 64kg | 141.1 lbs

MATERIALS

Body: Brass
Top: Wood
Drawers: Wood+Brass

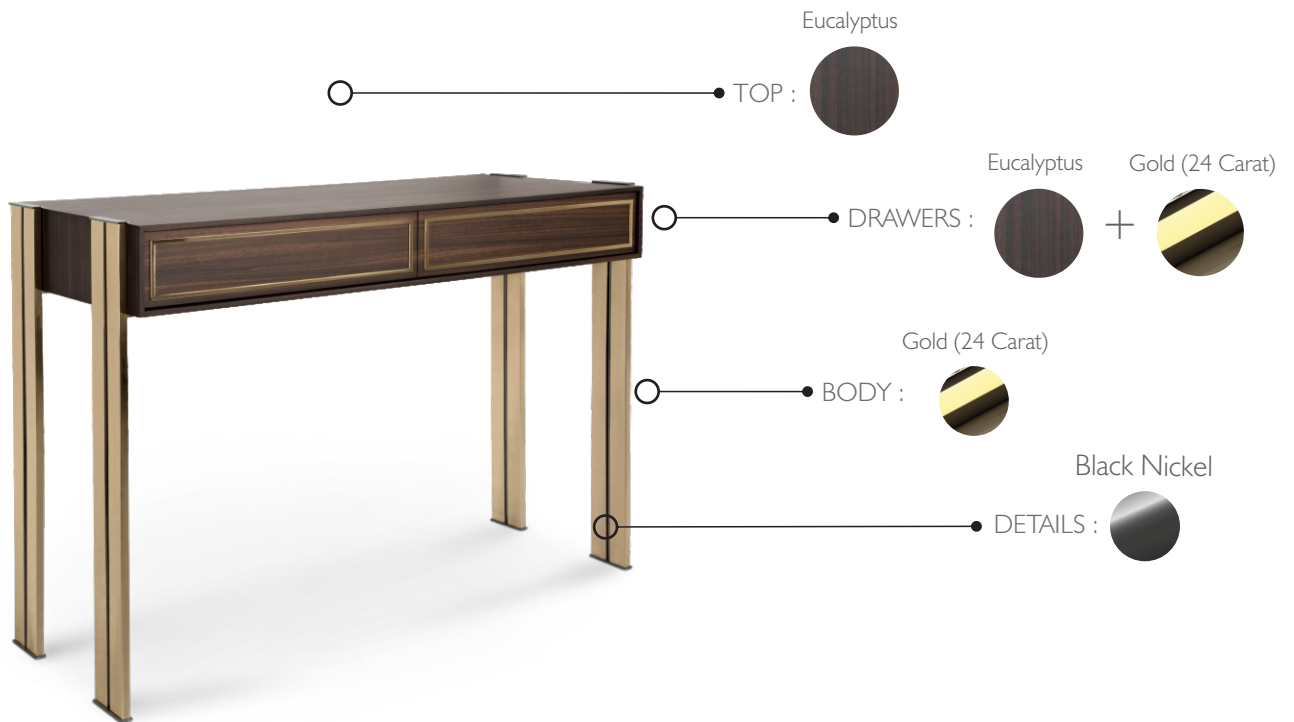
PACKING (approx.)

Dimensions: 135 x 55 x 100 cm
53.1 x 21.7 x 39.4 in
Volume: 0.74 m³ | 26.22 ft³



- CE - Products manufactured according the European norm of security EN 60 598-1.
- F - Products adjusted for instalation in surfaces normally inflammable.
- - Products of class II. The electric isolation is double or reinforced.
- ES - Products with the possibility of instalation of low-energy consumption bulbs.

PRODUCT FINISHES & COSTUMIZATION OPTIONS



MORE FINISHES AVAILABLE HERE:
[CLICK HERE](#)