

ASSEMBLY INSTRUCTION
3077-CP1702-E-1779



A x10
Spec: M6*L30



B x10
Spec: Ø14*Ø8



C x10
Spec:

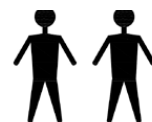


FIG.
1

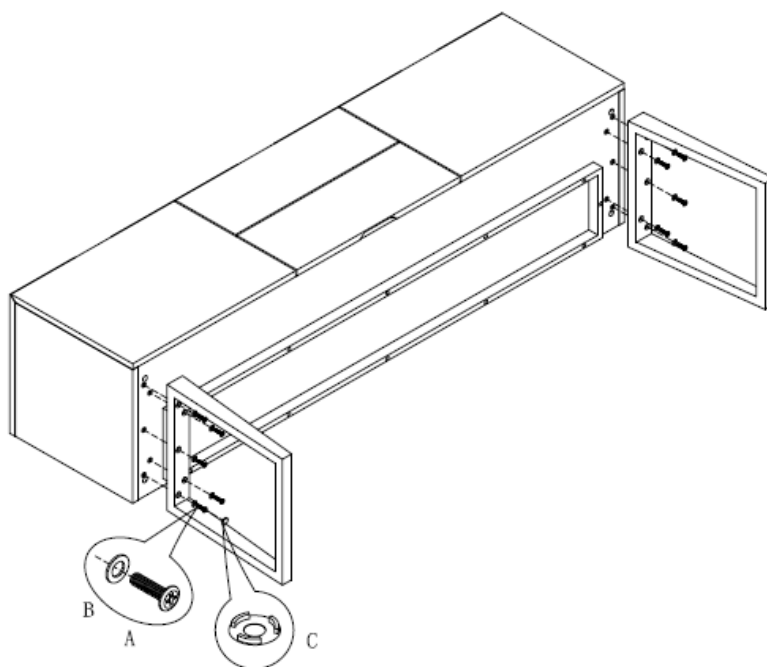


FIG.
2

