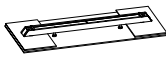


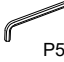



A	B	C	D	E
		 M8*20	 P5	 P4
1 PC	2 PCS	8 PCS	1 PC	1 PC

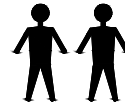


FIG.
1

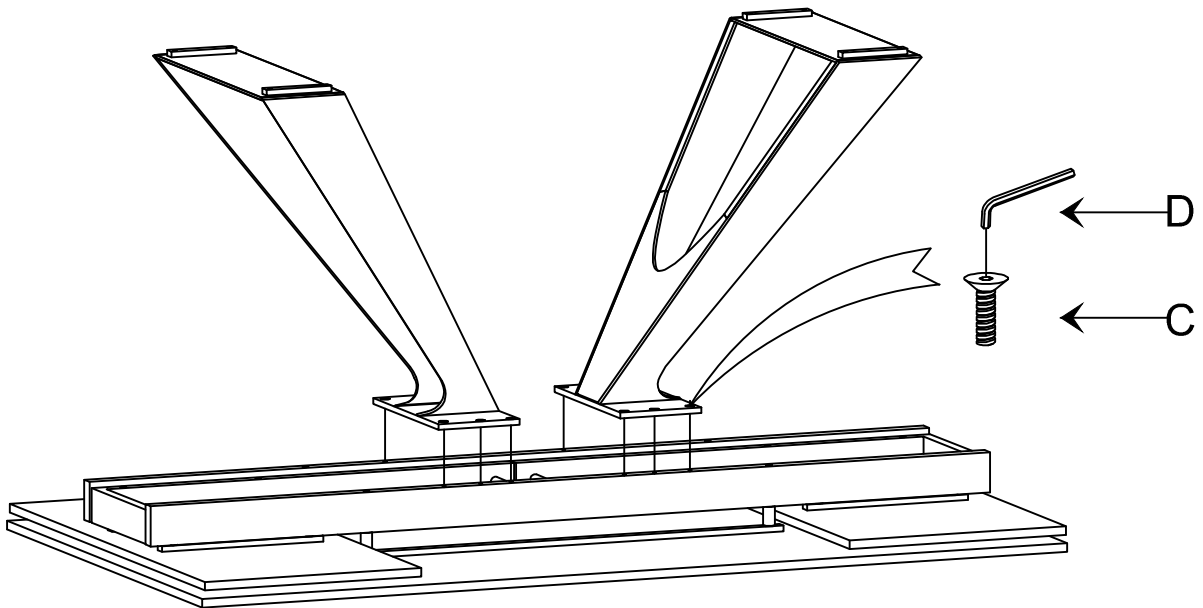
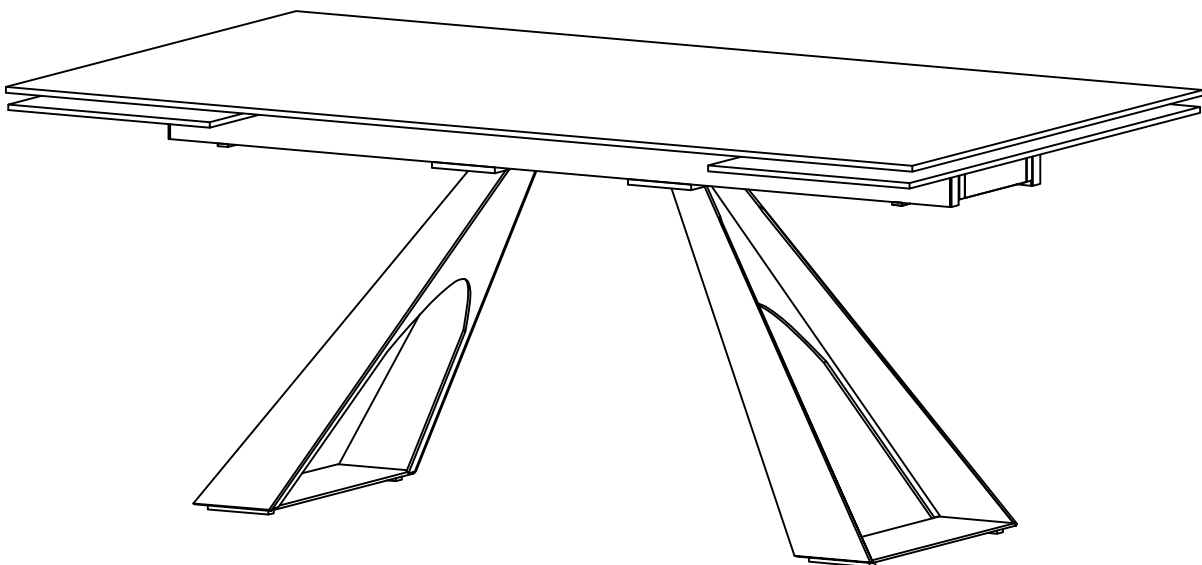
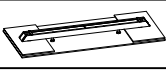


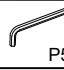



FIG.
2



A	B	C	D	E
				
1 PC	2 PCS	8 PCS	1 PC	1 PC



ADJUSTMENTS

FIG.
3

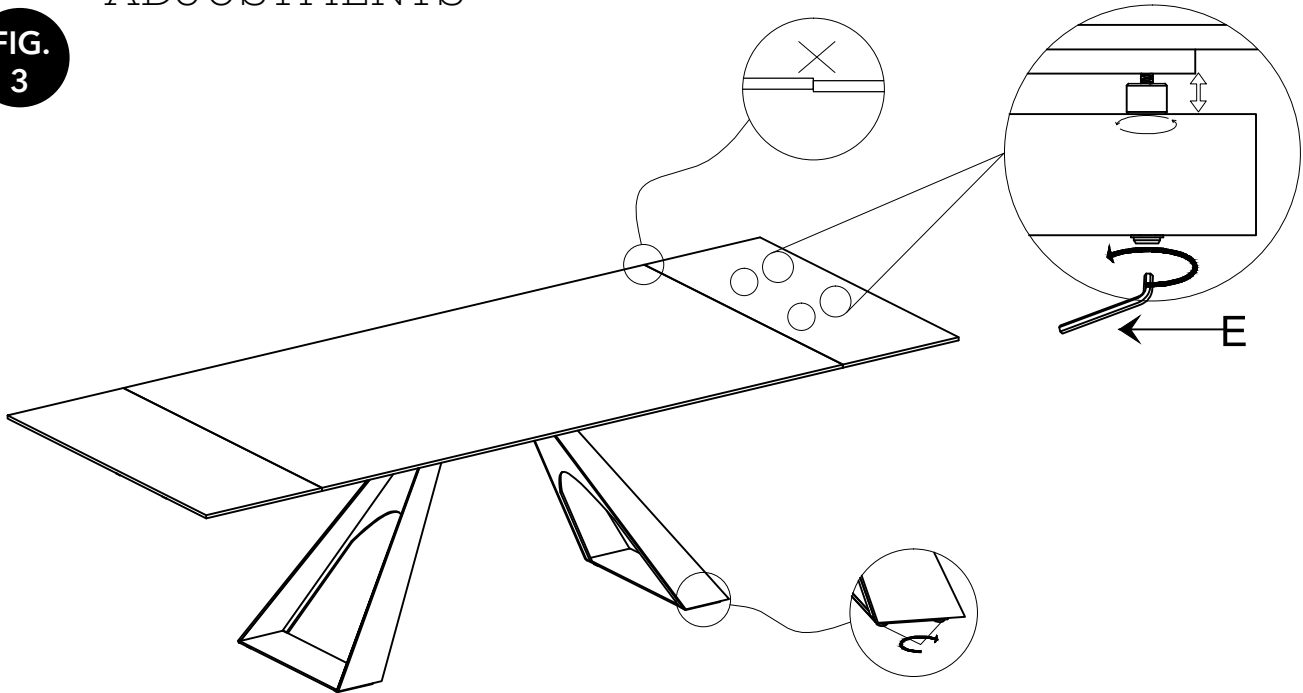
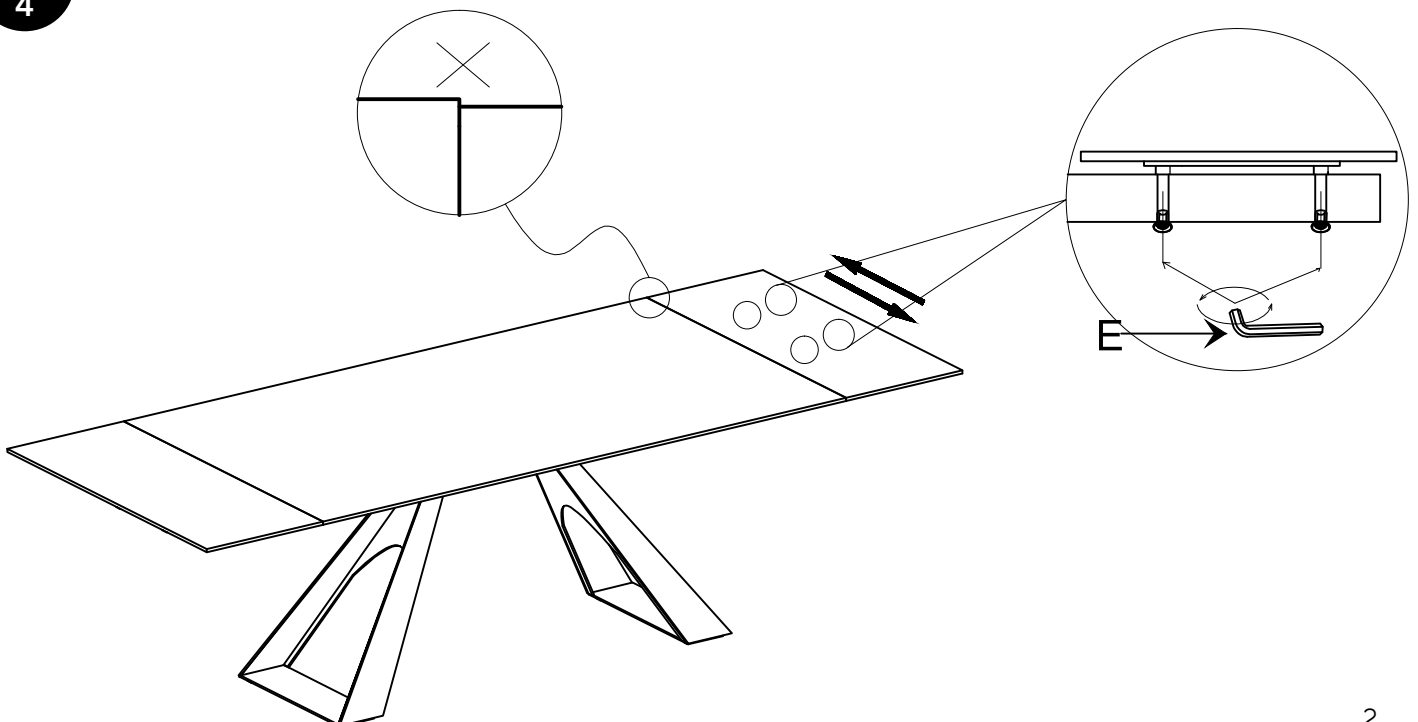
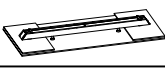






FIG.
4



A	B	C	D	E
		 M8*20	 P5	 P4
1 PC	2 PCS	8 PCS	1 PC	1 PC



ADJUSTMENTS

FIG.
5

