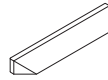


A x2
Spec: M4*L21



B x1
Spec:

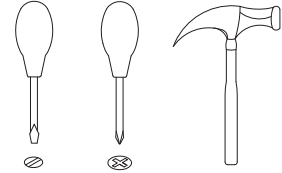
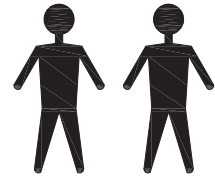


FIG.
1

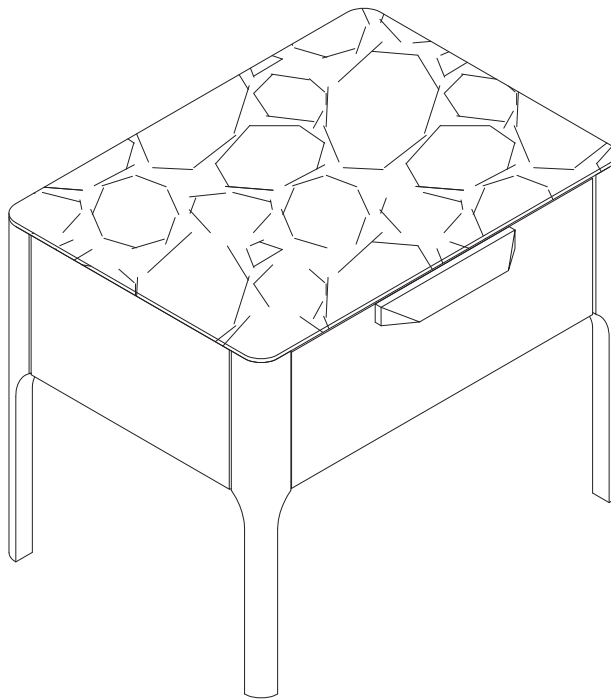


FIG.
2

