

ASSEMBLY INSTRUCTIONS

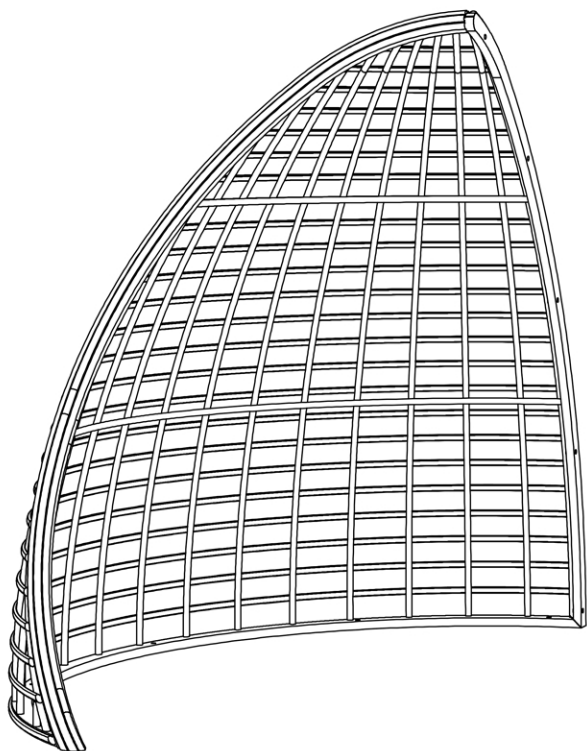
FABER DAYBED



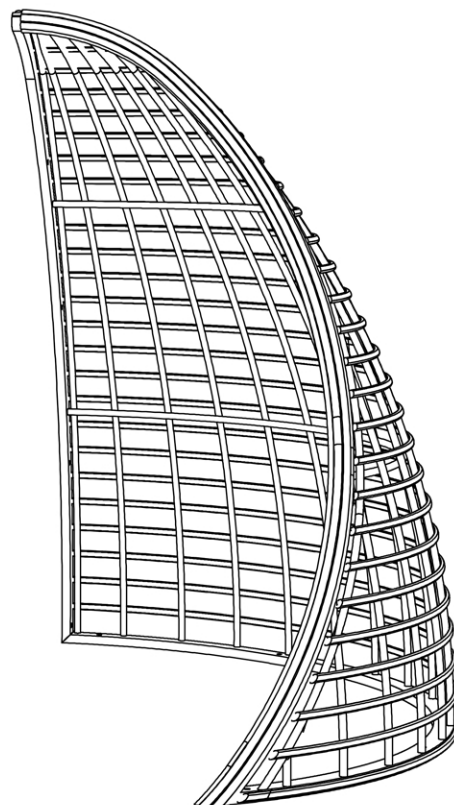
TWO PEOPLE REQUIRED

PARTS INCLUDED

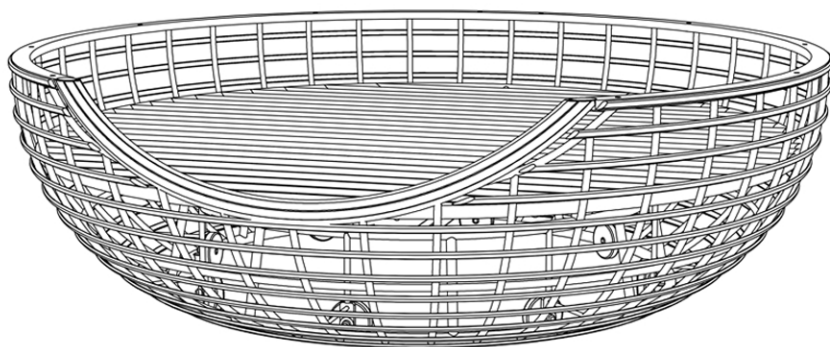
1 BASE PART LEFT (1PC)



2 BASE PART RIGHT (1PC)

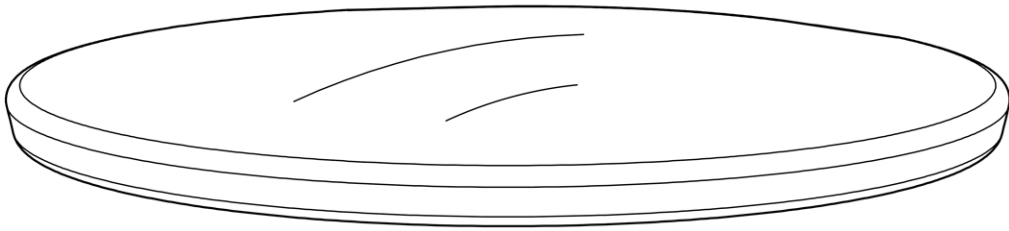


3 BASE PART (1PC)



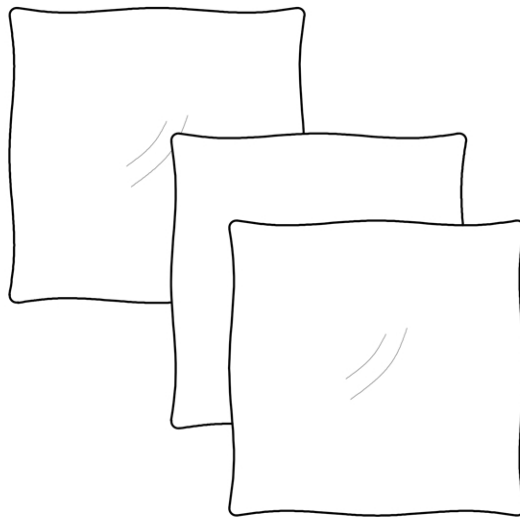
4

MATTRASS (1PC)



5

PILLOWS

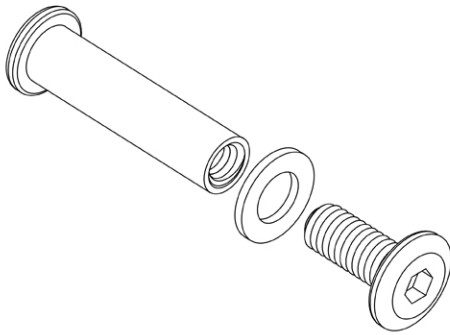


HARDWARE INCLUDED

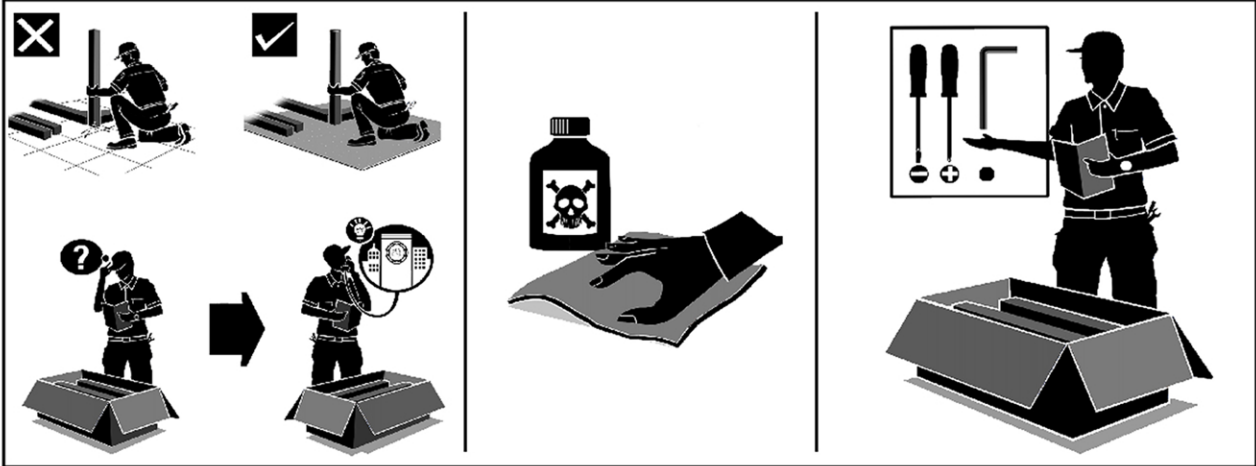
A ALLEN KEY 4 (2PCS)



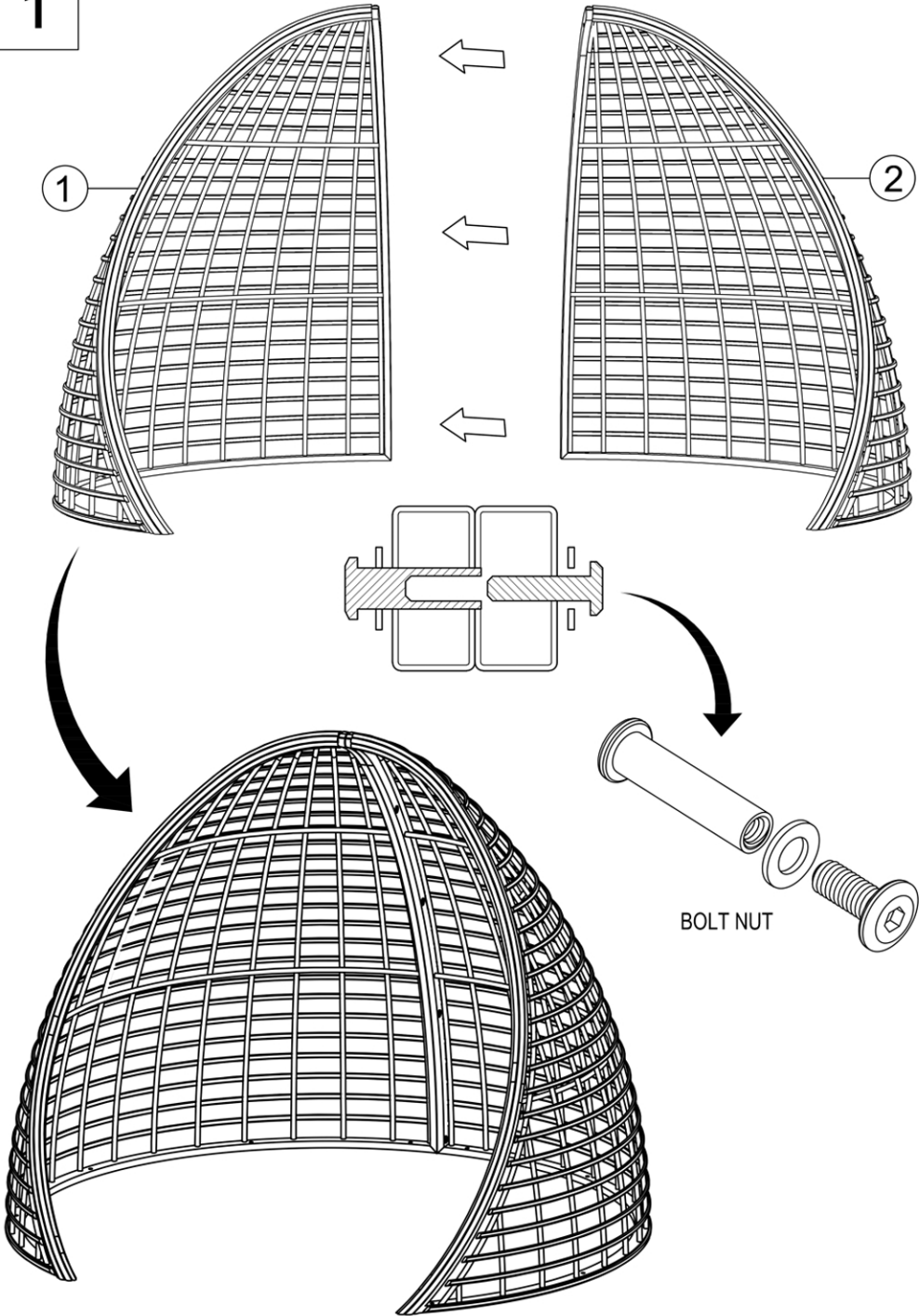
B BOLT NUT M6 (5PCS)



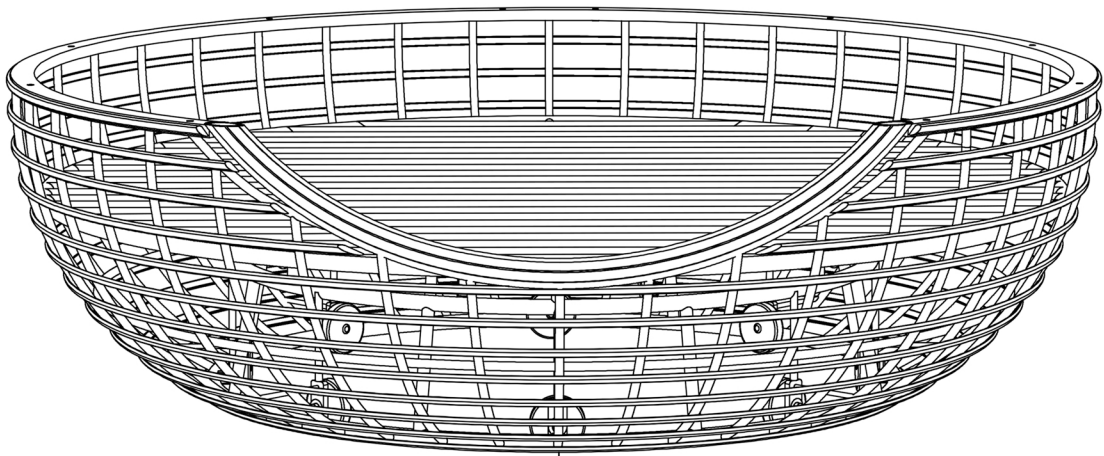
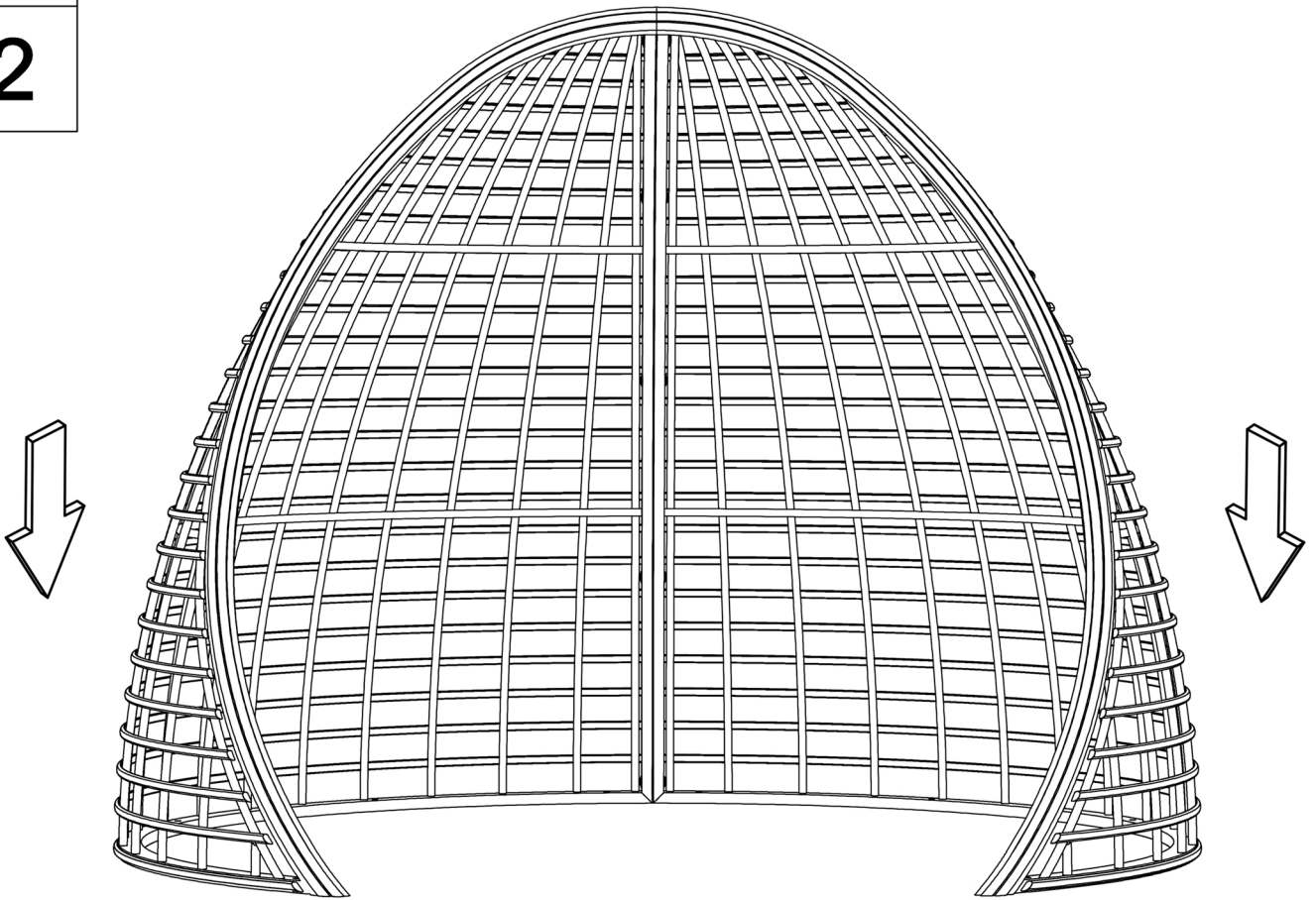
ASSEMBLY INSTRUCTIONS



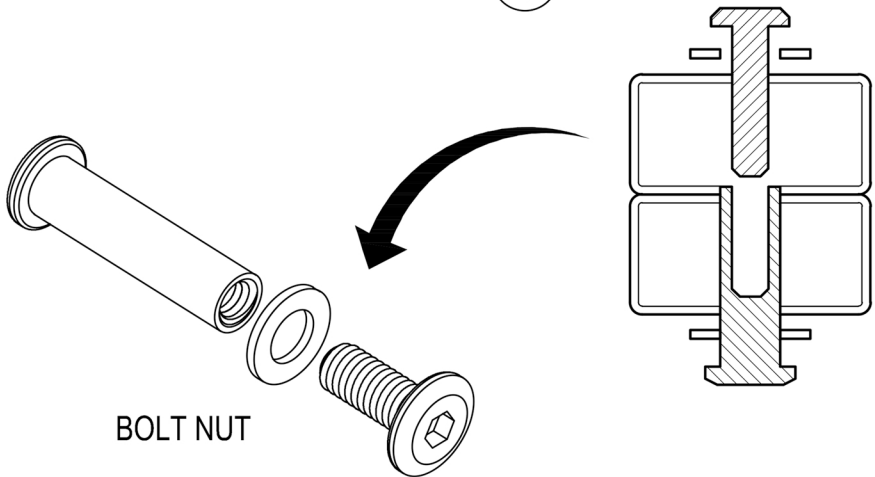
STEP
1



STEP
2



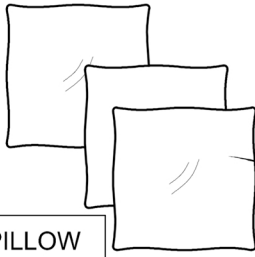
3



BOLT NUT

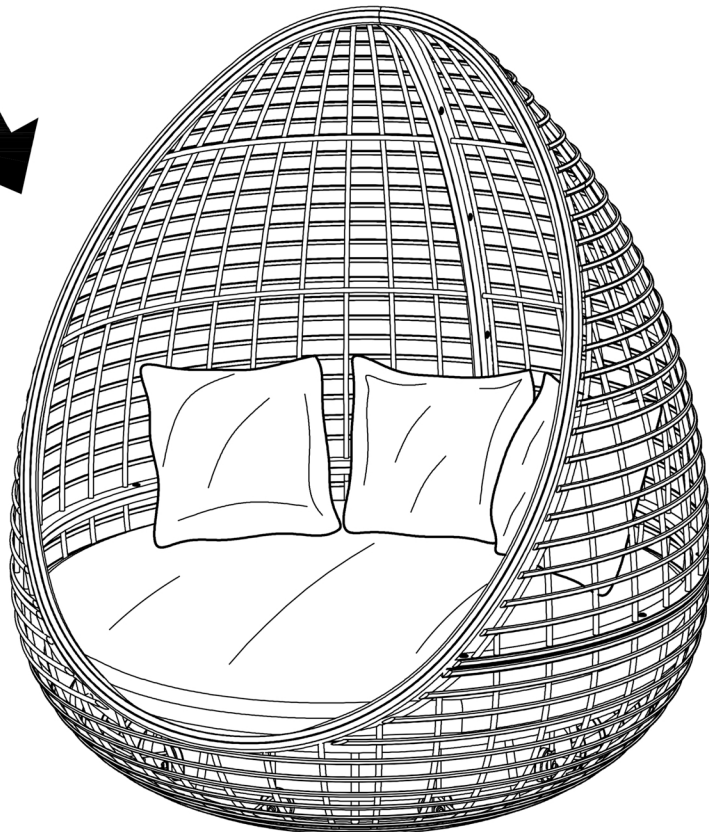
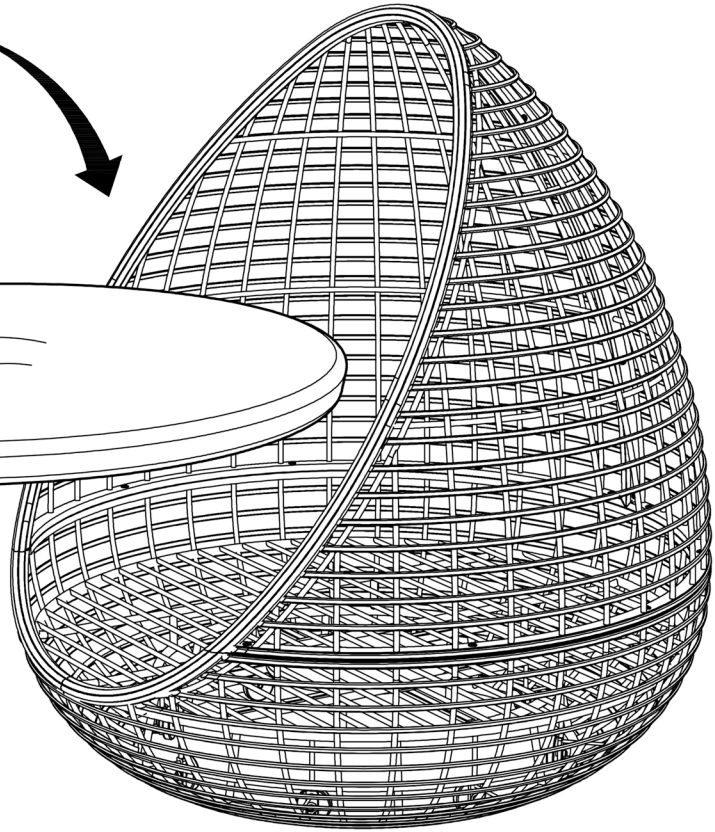
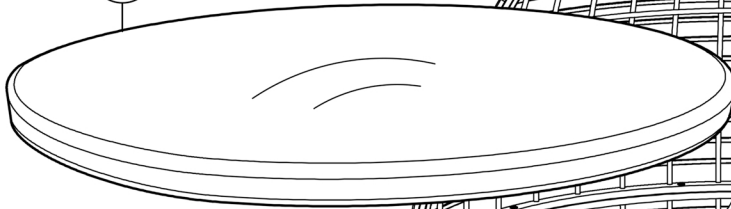
STEP

3

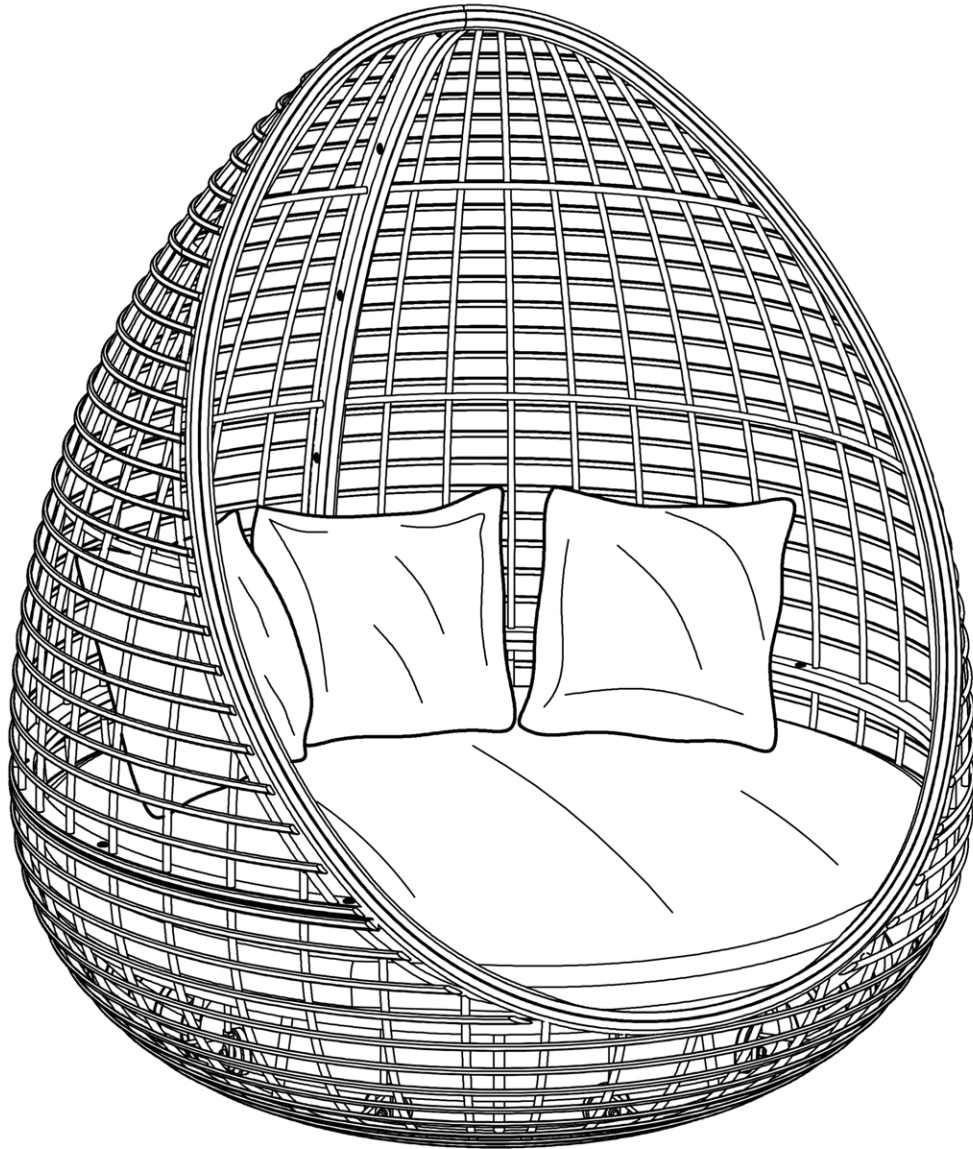


BIGGER PILLOW

4



FINISH



FABER DAYBED



- Identify all the components before start assembling
- Use a clean and even surface for assembly
- We recommend using carton paper under the furniture during assembly as a pad to avoid damages on surface of parts
- Ensure no fittings and components are disposed when discarding