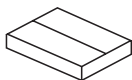




Kave® Cares



15 min



x1



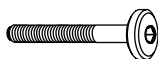
x2



A x1



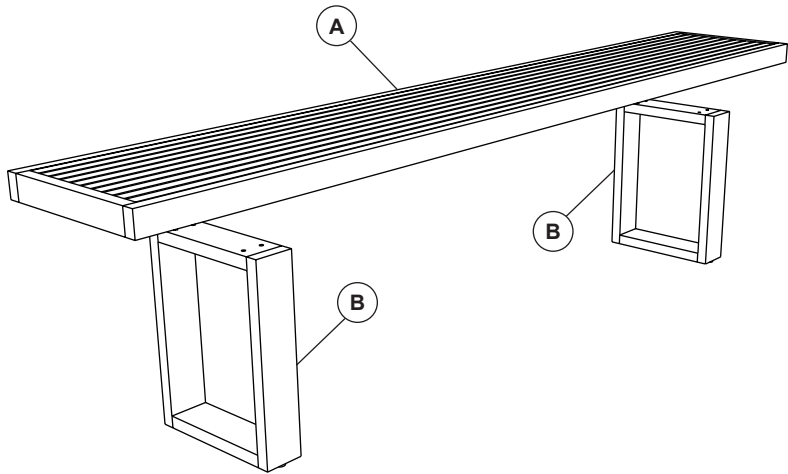
B x2



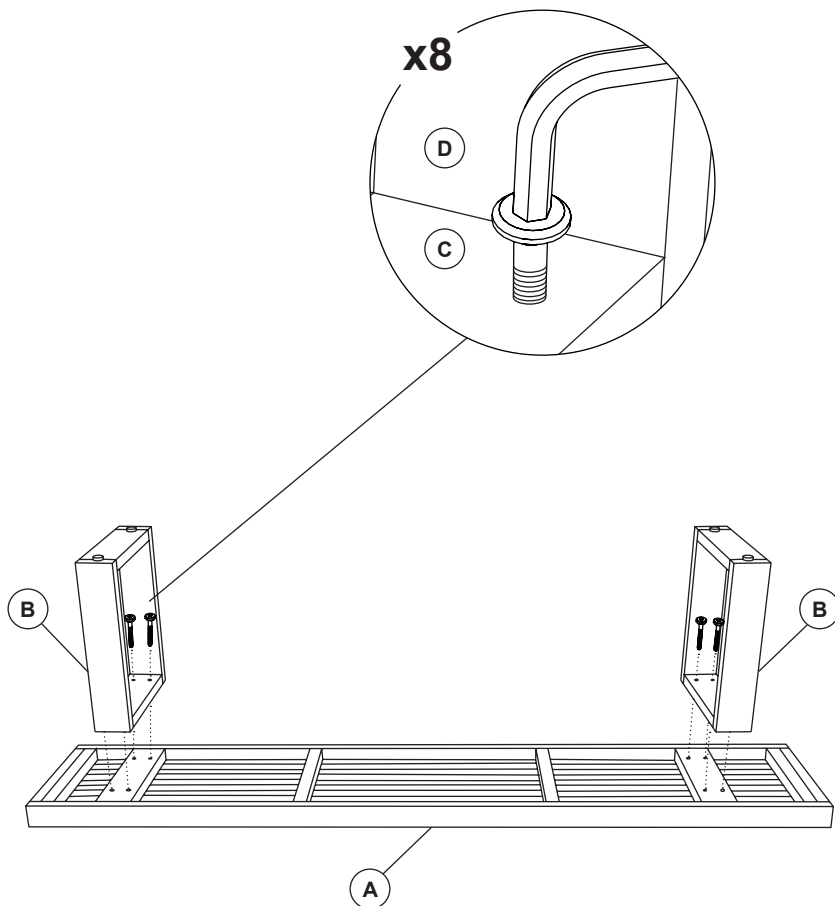
C x8

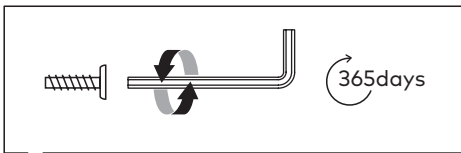
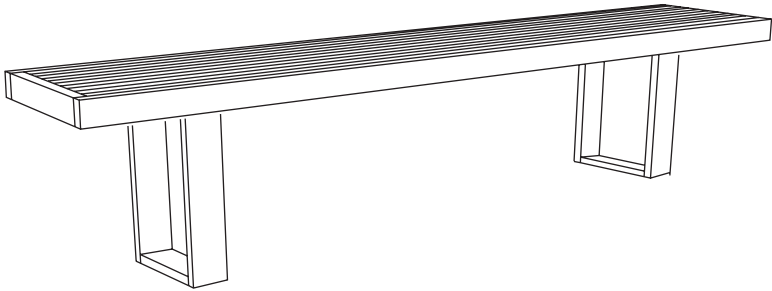


D x1



1







THAT'S ALL FOLKS

Share your style!

#KaveHome

