

# REVERSIBLE

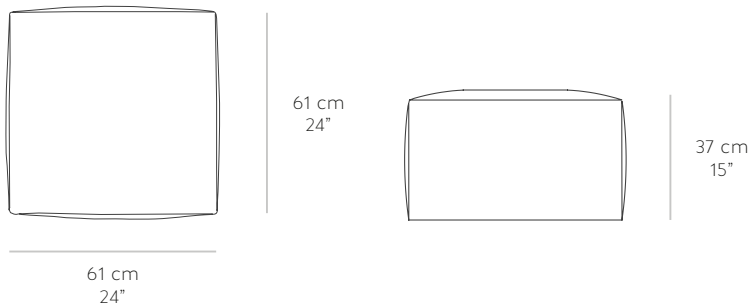
Design by Charlotte Lancelot

SPACES COLLECTION

## Puf Reversible. Reversible Pouf



### Técnico. Technical



5'8 Kg / 12.79 lbs

0,20 m³ / 7.6 ft³

60% lana + 30% lino + 10% algodón. 60% wool + 30% linen + 10% cotton

Relleno: 100% gomaespuma. Filling: 100% foam rubber

Reversible. Reversible

### Colores disponibles. Available colours



Pink. Linen side



Wool side



Yellow. Linen side



Wool side



Black. Linen side



Wool side