

Alice

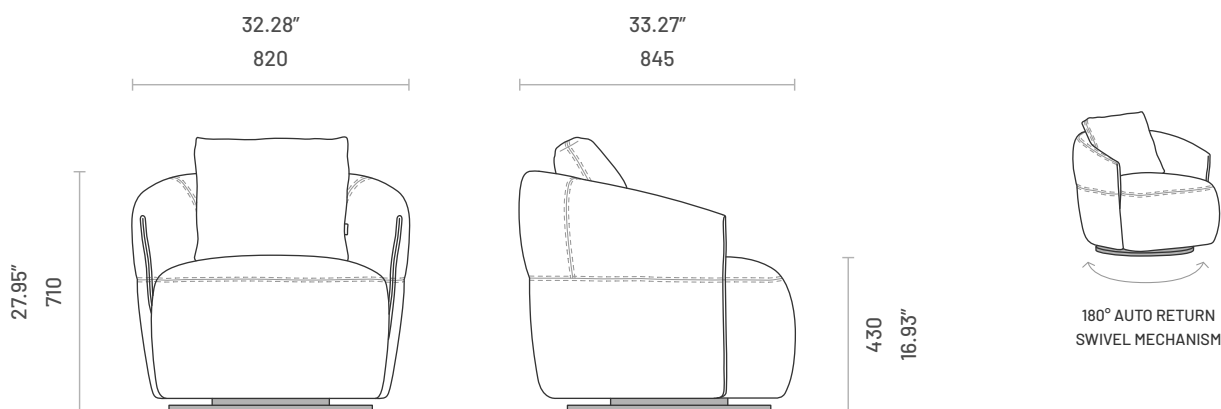
ARMCHAIR

A design made for comfort in commercial spaces, Alice is a compact and round-shaped armchair that can fit every room. It features a swivel back base that always swivels back to its starting point, to maintain the right position after usage. This piece is upgraded by an exquisite seam work that values its detailing, especially the horizontal seam on the back that perfectly aligns with the seat height. The attention to detail, its size, and comfort make Alice the ultimate armchair for commercial projects.



Specifications

Dimensions



Technical Information

Frame

Solid pine wood, plywood and MDF

Padding

Seat: 30kg/m³, 23kg/m³, 35kg/m³ polyurethane foam and 100gr polyester fiber

Backrest/Armrests: 18kg/m³, 30kg/m³ polyurethane foam and 200gr polyester fiber

Back Cushion: 18kg/m³, 30kg/m³ polyurethane foam, 200gr polyester fiber, mixed polyester staple fiber and feather filling.

Materials and Finishes

Overview



Available Finishes

	1	2
Fabrics		
Aldan	●	—
Arno	●	—
Astoria	●	—
Avalon	●	—
Bergen	●	—
Brampton	●	—
Clarence	●	—
Columbia	●	—
Devon	●	—
Galway	●	—
Helmand	●	—
Hudson	●	—
Osaka	●	—
Provence	●	—
Synthetic Leathers		
Rupert	●	—
Natural Leathers		
Albany	—	—
Aspen	●	—
Dover	●	—
Lacquers		
Bone	—	—
Taupe	—	—
Olive	—	—
Syrah	—	—
Ocean	—	—
Black	—	●

COM Fabric and Leather Requirements

Item	1	
	Fabric	Leather
Alice Armchair	 3.20 lm 10.49 ft	 6.40 m2 69.12 ft2