

B15 T H PE
by Jordi Veciana, 2014

Suspension lamp. Aluminium structure, dark blue lacquered. Extruded transparent glass difusser. Dimmable driver included.

Type: Suspension lamp

Environment: Indoor

Structure: Aluminium

Diffuser: Glass

Voltage: 230 V

Supply: Terminal strip


Dimmable driver included

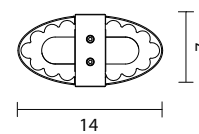
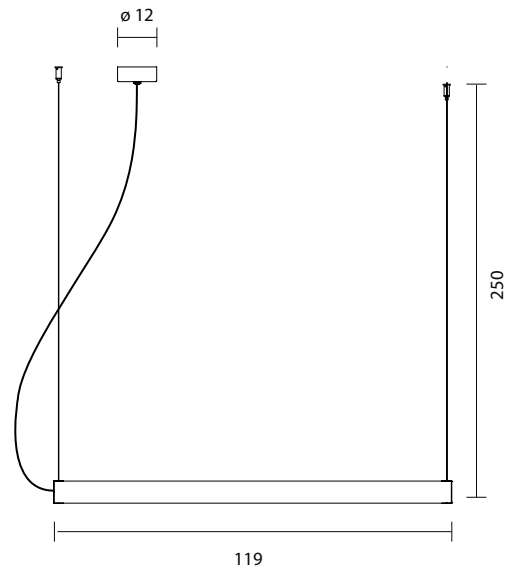
Cable length: 250 cm

Light Source: 2 x G5 Fuo. 54W 2700K


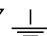
B15 T H PE

121000340978 **dark blue**

 **5.5 kg**
9.1 kg



Profile detail

CE   IP-20