

* 3 options:

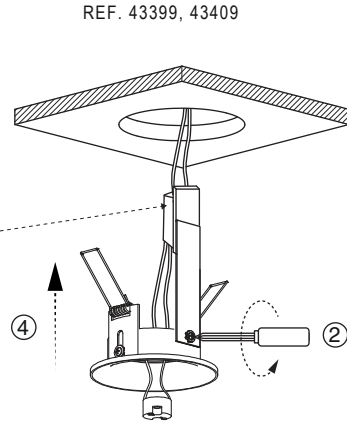
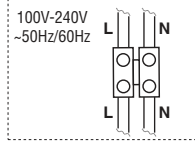
Option 1 GU10 MAX 8W LED no incl.



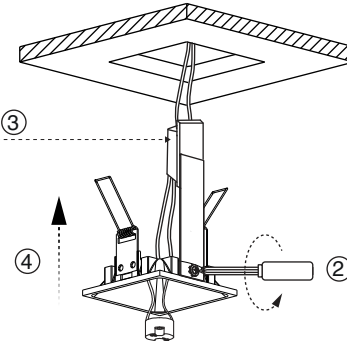
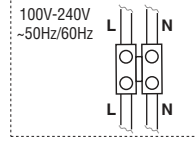
Socket GU10 CLASS II
No incl.
See www.faro.es



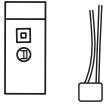
① Ø65mm



REF. 43400, 43410



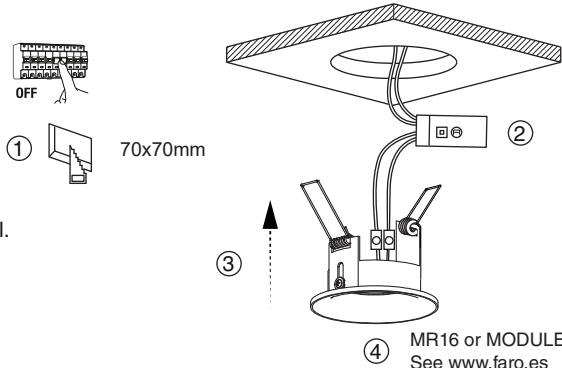
Option 2 MR16 12V MAX 8W LED no incl.



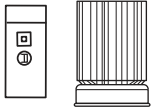
Driver No incl.
Socket MR16 No incl.
See www.faro.es



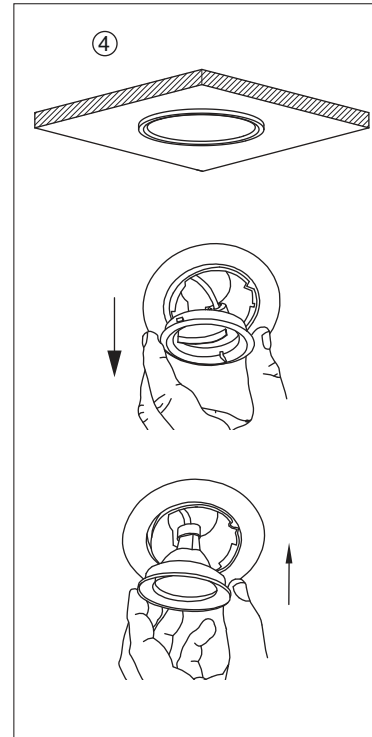
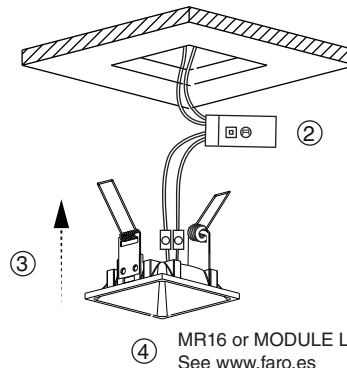
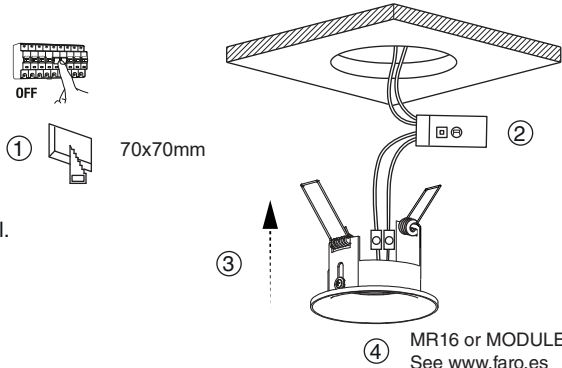
① 70x70mm



Option 3 LED MODULE MAX 8W LED no incl.



Driver No incl.
See www.faro.es



TECHNICAL FEATURES

