

outdoor

Flamingo outdoor

High dining table stand with elliptical top / pie de mesa alta con tapa elíptica

studio expormim 2010

C972 E 70



Structure made of aluminum tube, finished with polyester powder. Tabletop options: HPL Trespa® 13 mm/0.51" thick, Fenix NTM® 12 mm/0.47" and Dekton® 8 mm/0.31 thick. Delivered unassembled.

Estructura fabricada en tubo de aluminio, con acabado en pintura de polvo de poliéster. Opciones de tablero: HPL Trespa® de 13 mm, Fenix NTM® de 12 mm y Dekton® 8 mm. Se sirven desmontadas.

Shipment details

Qty 1 dining table (2 box)

Volume 0,38 m³ / 13 ft³

HPL /FENIX top option

Gross weight 33 kg / 73 lb

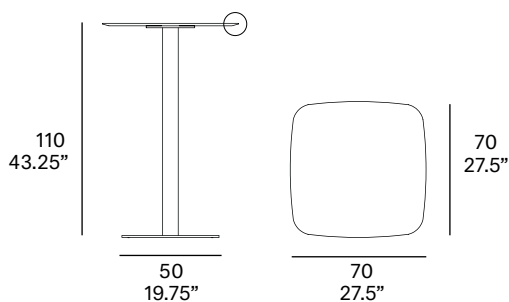
Net weight 30 kg / 66 lb

Dekton top option

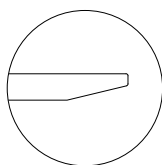
Gross weight 38 kg / 84 lb

Net weight 36 kg / 79.5 lb

Item dimensions (width x depth x height) 70 x 70 x 110 cm
27.5" x 27.5" x 43.25"

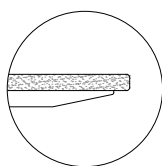


Tabletop options:



- HPL Trespa® 13 mm/0.51" thick.

- FENIX NTM® 12 mm/0.47" thick.



- Dekton® 8 mm/0.31" +
HPL Trespa® 8 mm/0.31" thick.

expormim

Expormim S.A.
Pol. Ind. Jaime I
46640 Moixent (Valencia) Spain
+34 962 295 144/5
export@expormim.com
www.expormim.com

Expormim USA LLC
(212) 204-8572
usa@expormim.com
www.expormim.com

1/3

Frame / estructura

metallic finishes / metales



120 FT off white
fine textured



124 FT linen
fine textured



102 FT light grey
fine textured



113 FT sage
fine textured



110 FT bronze
fine textured



108 FT oxide
fine textured



111 FT graphite
fine textured

outdoor

top / tapa

HPL Trespa® - premium



320 silver quartzite - matt



323 natural chalkstone - matt



327 titanium bronze - satin



321 italian slate - matt

FENIX NTM®



029 bianco male



720 nero ingo

Dekton® - kraftizen



K1 albarium



K2 argentium



K3 umber



K4 micron

Dekton® - natural



D3 danae



D2 kelya

expormim

Expormim S.A.
Pol. Ind. Jaime I
46640 Moixent (Valencia) Spain
+34 962 295 144/5
export@expormim.com
www.expormim.com

Expormim USA LLC
(212) 204-8572
usa@expormim.com
www.expormim.com

3/3