



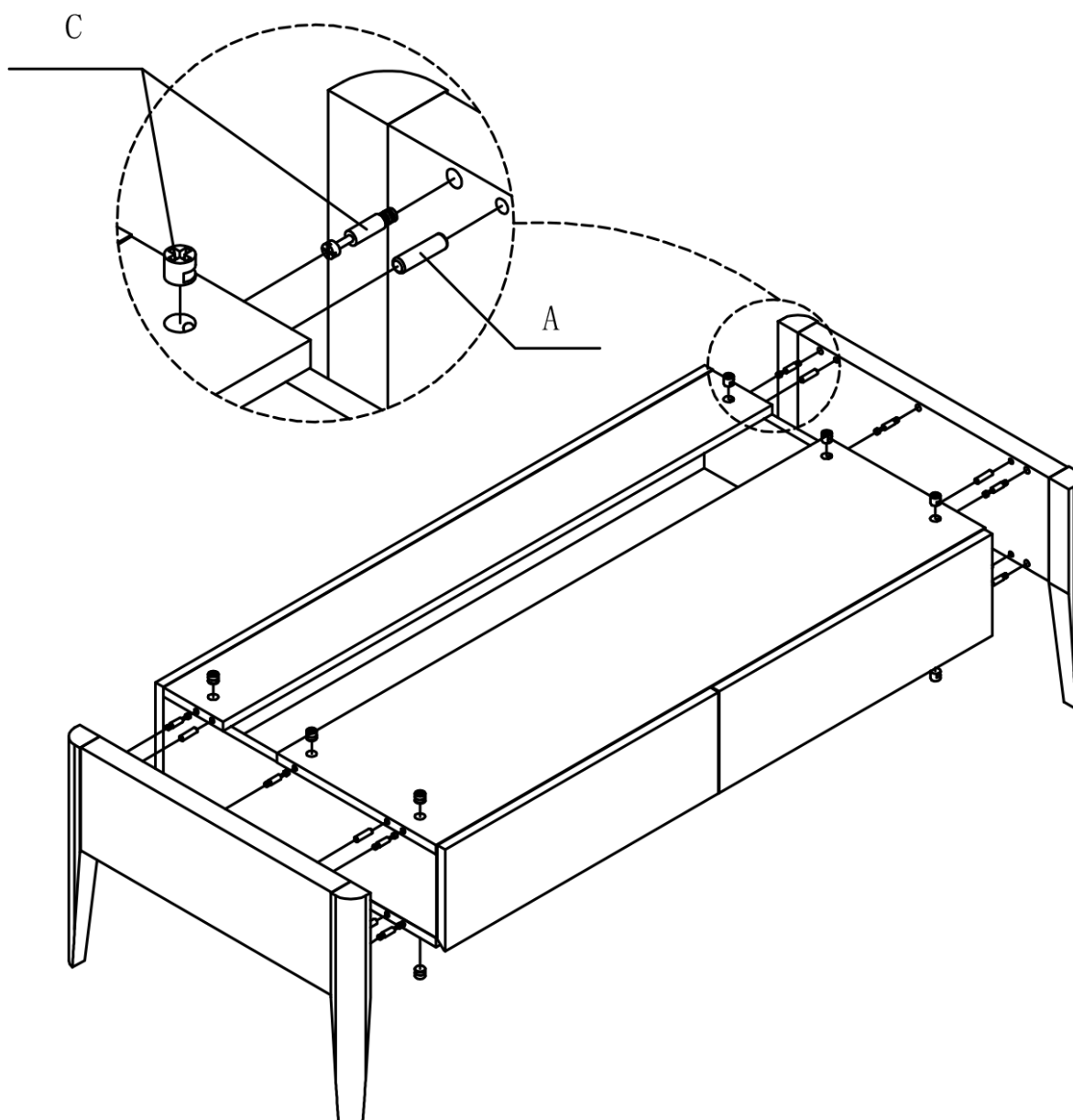
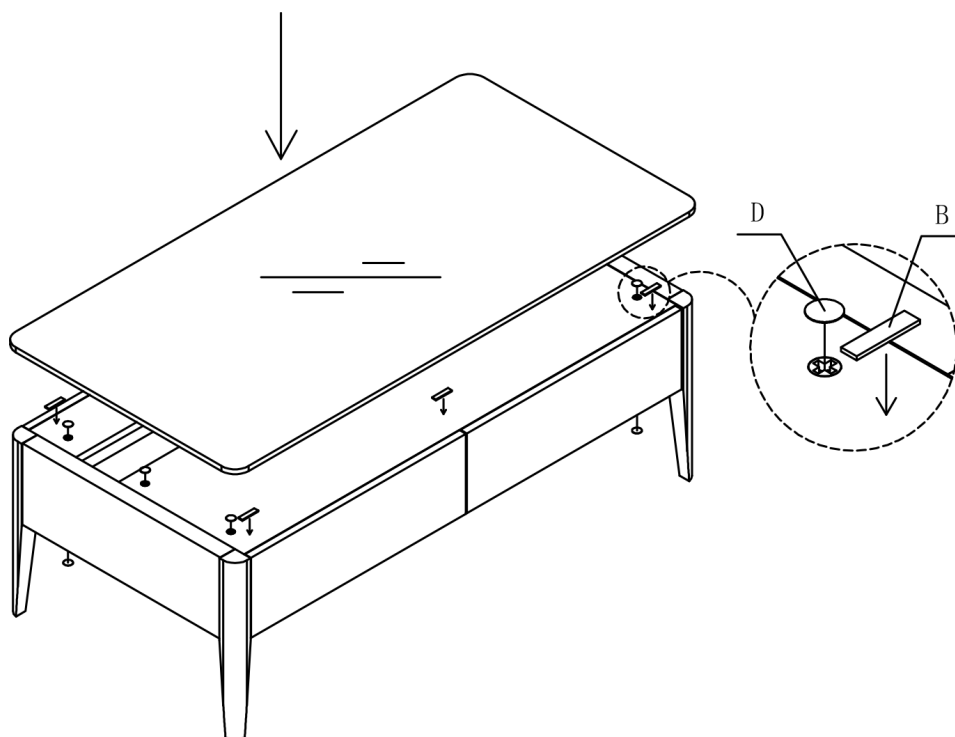


SETTING FITTINGS					
FITTINGS	SPEC.	AMOUNT	FITTINGS	SPEC.	AMOUNT
A	 $\Phi 8 \times 30$	8pcs	B	 50x10x1	6pcs
C	 $\Phi 15$	12pcs	D	 $\Phi 21$	12pcs

**FIG.**  
**1**



**FIG.**  
**2**



**FIG.**  
**3**

