



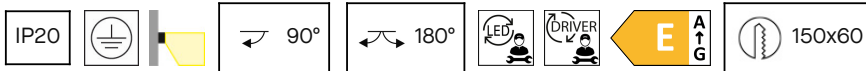
## GAMMA SR usb

Josep Patsi

Reading lights GAMMA SR usb LED 3.2W LED warm-white 2700K ON-OFF Matte gold 137lm

### Technical features

- Luminaire total power: 3.2W
- Real lumens: 137
- Real lm/W: 43
- Correlated Colour Temperature (CCT): LED warm-white 2700K
- Lens / reflector angle: MEDIUM 31°
- UGR: <=16
- Structure material: Aluminium
- Structure finish: Matte gold
- Driver Brand: HEP
- Voltage / frequency: 100-240V/50-60Hz
- Dimming protocol: ON-OFF
- Power Factor: 0.47
- Useful life: 50,000h L80B20
- Warranty: 5 years
- Easily recyclable luminaire



### Luminotechnic features

- CRI: 92
- MacAdam steps: 3
- Photobiological risk: RG2
- UGR crosswise: 14.3
- UGR lengthwise: 14.2

Lampholder	Quantity	Light source power (W)	Correlated Colour Temperature (CCT)
LED	1	2.1W	LED warm-white 2700K

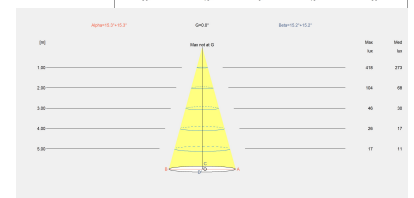
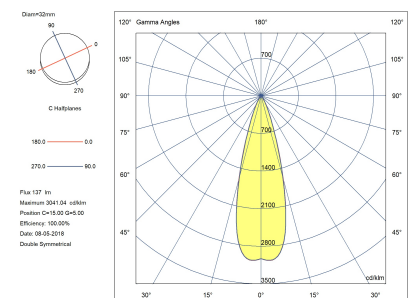
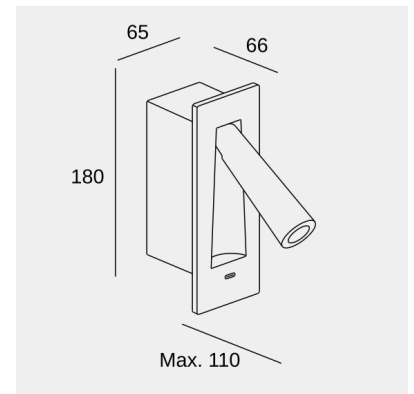
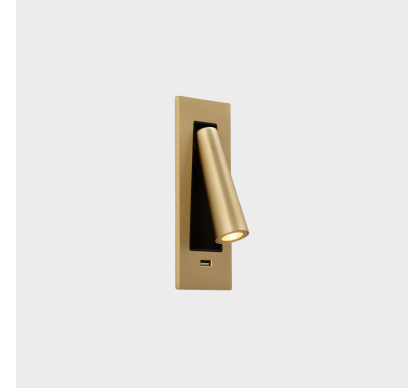


Image may not match reference. LedsC4 reserves the right to amend any of the product's components. The data related to flux, power and colour temperature may be subject to changes made by the manufacturer.



## GAMMA SR usb

Josep Patsi

Reading lights GAMMA SR usb LED 3.2W LED warm-white 2700K ON-OFF Matte gold 137lm

### Logistics



x 8

Net weight (kg): 0.79

Packaged weight (kg): 0.95

Packaging: 240mm x 110mm x 210mm

Image may not match reference. LedsC4 reserves the right to amend any of the product's components. The data related to flux, power and colour temperature may be subject to changes made by the manufacturer.