

ASSEMBLY INSTRUCTION
3235 - MR2202 - 2304



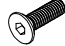

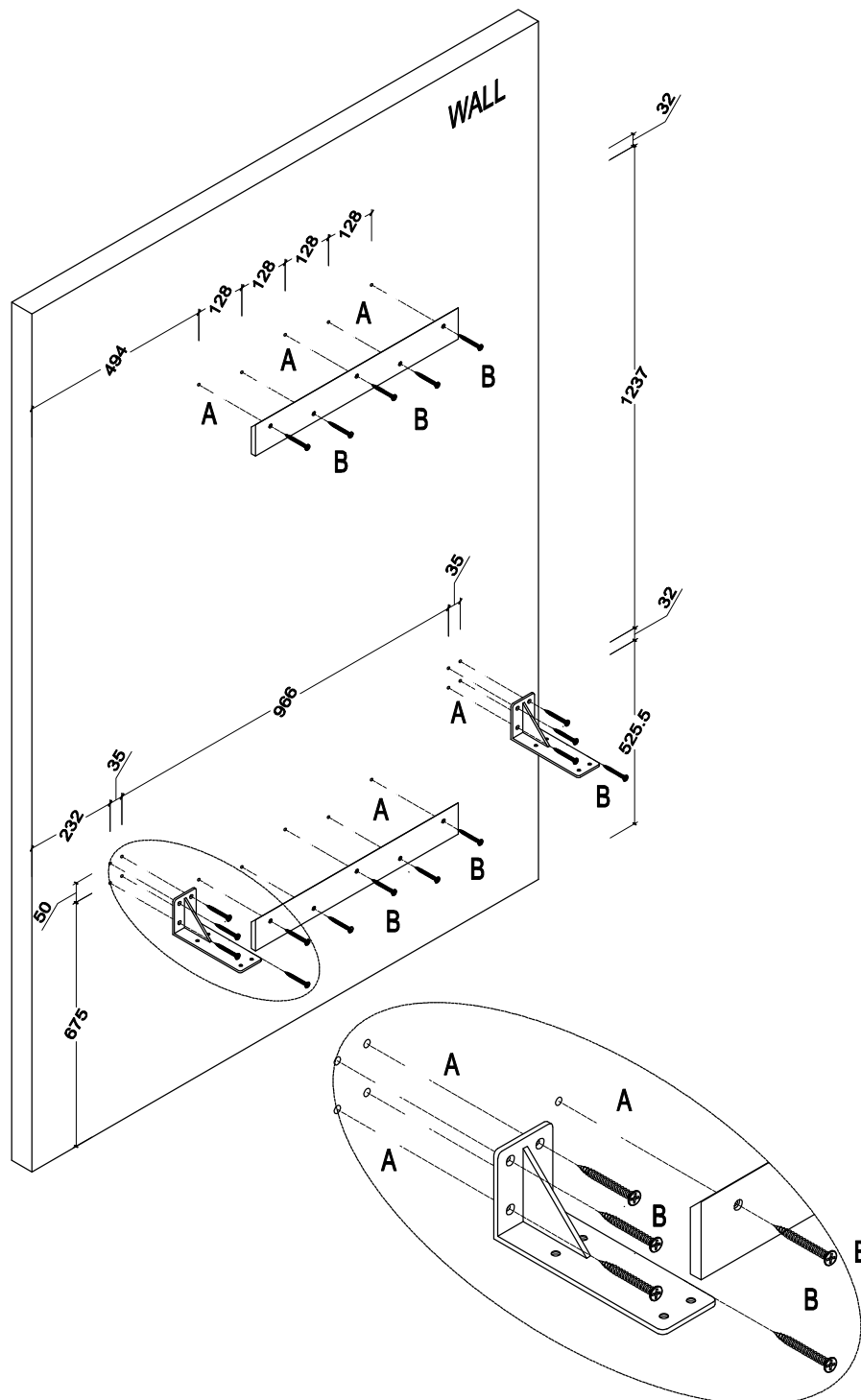
FITTINGS	SPEC.	AMOUNT	FITTINGS	SPEC.	AMOUNT
A	 D10x50mm	18PCS	B		18PCS
C	 M6x35mm	8PCS	D	 4mm	1PC

FIG.
1



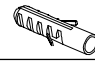
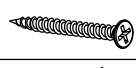


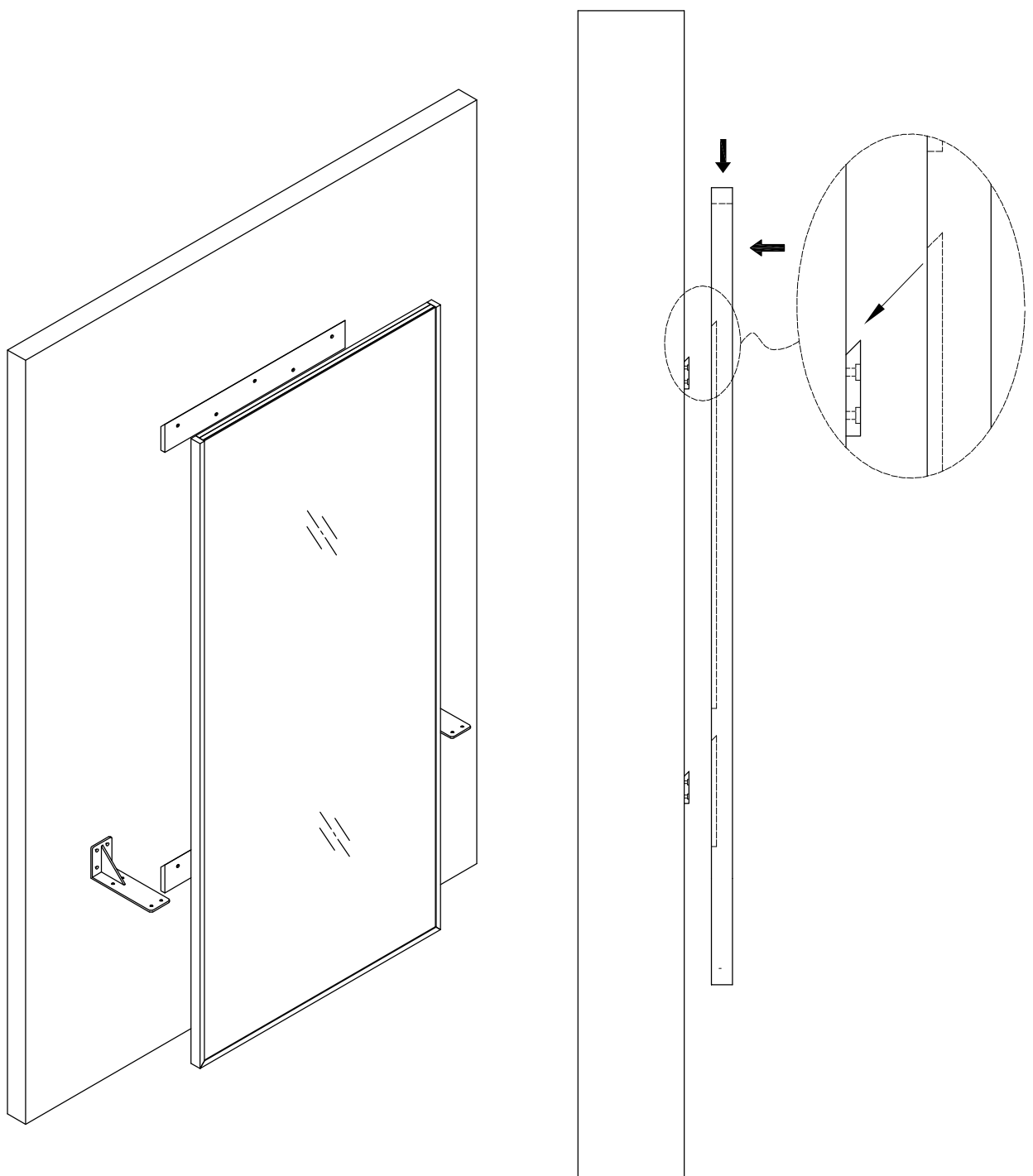
FITTINGS	SPEC.	AMOUNT	FITTINGS	SPEC.	AMOUNT
A	 D10x50mm	18PCS	B		18PCS
C	 M6x35mm	8PCS	D	 4mm	1PC

FIG.
2







FITTINGS	SPEC.	AMOUNT	FITTINGS	SPEC.	AMOUNT
A	 D10x50mm	18PCS	B	 18PCS	18PCS
C	 M6x35mm	8PCS	D	 4mm	1PC

FIG.
3

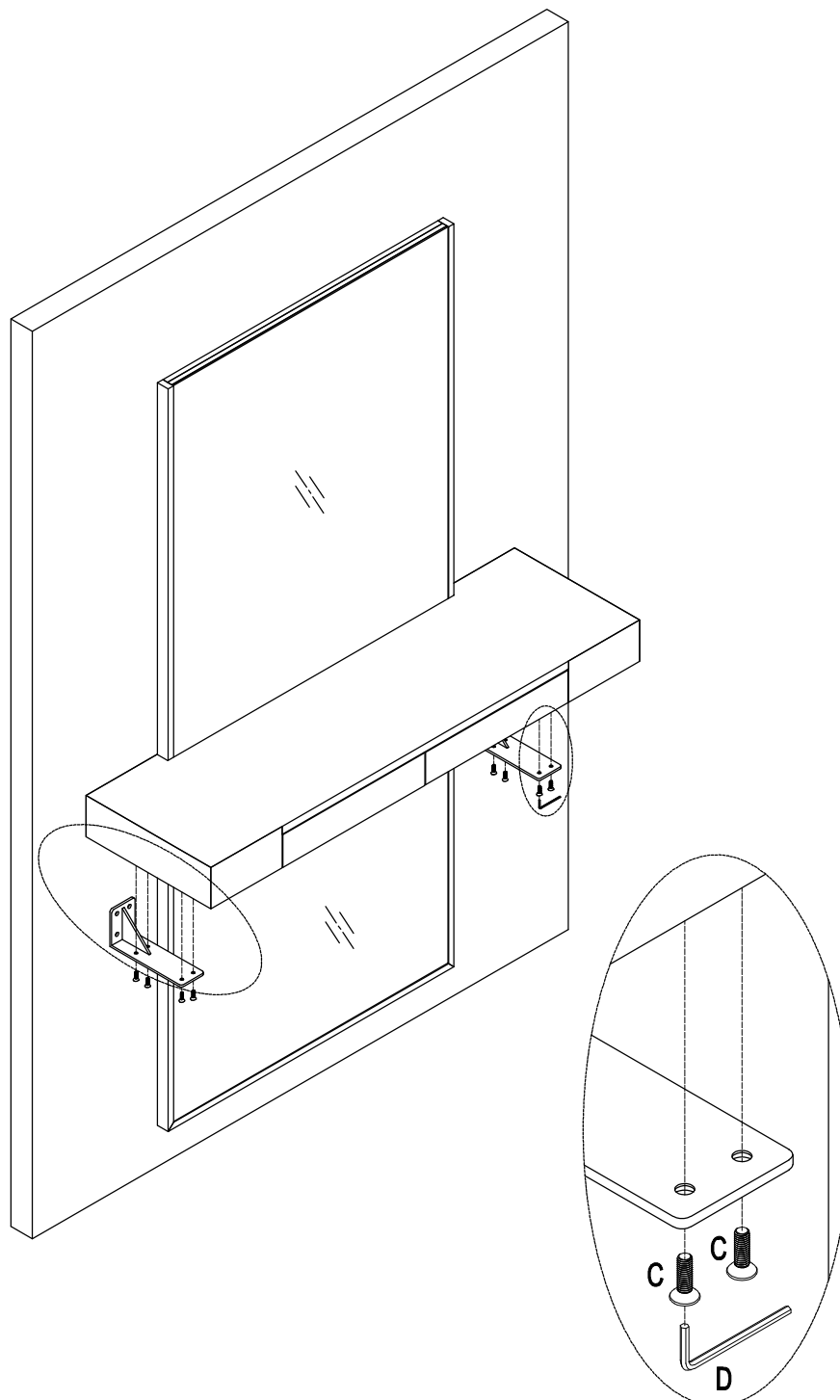


FIG.
4

