

ASSEMBLY INSTRUCTION  
3218-MK2005SB-2118




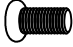

	Design	Size	Qty		Design	Size	Qty
<b>A</b>		5mm	1	<b>B</b>		M8*15	4
<b>C</b>		ST4*16	4				

FIG.  
1

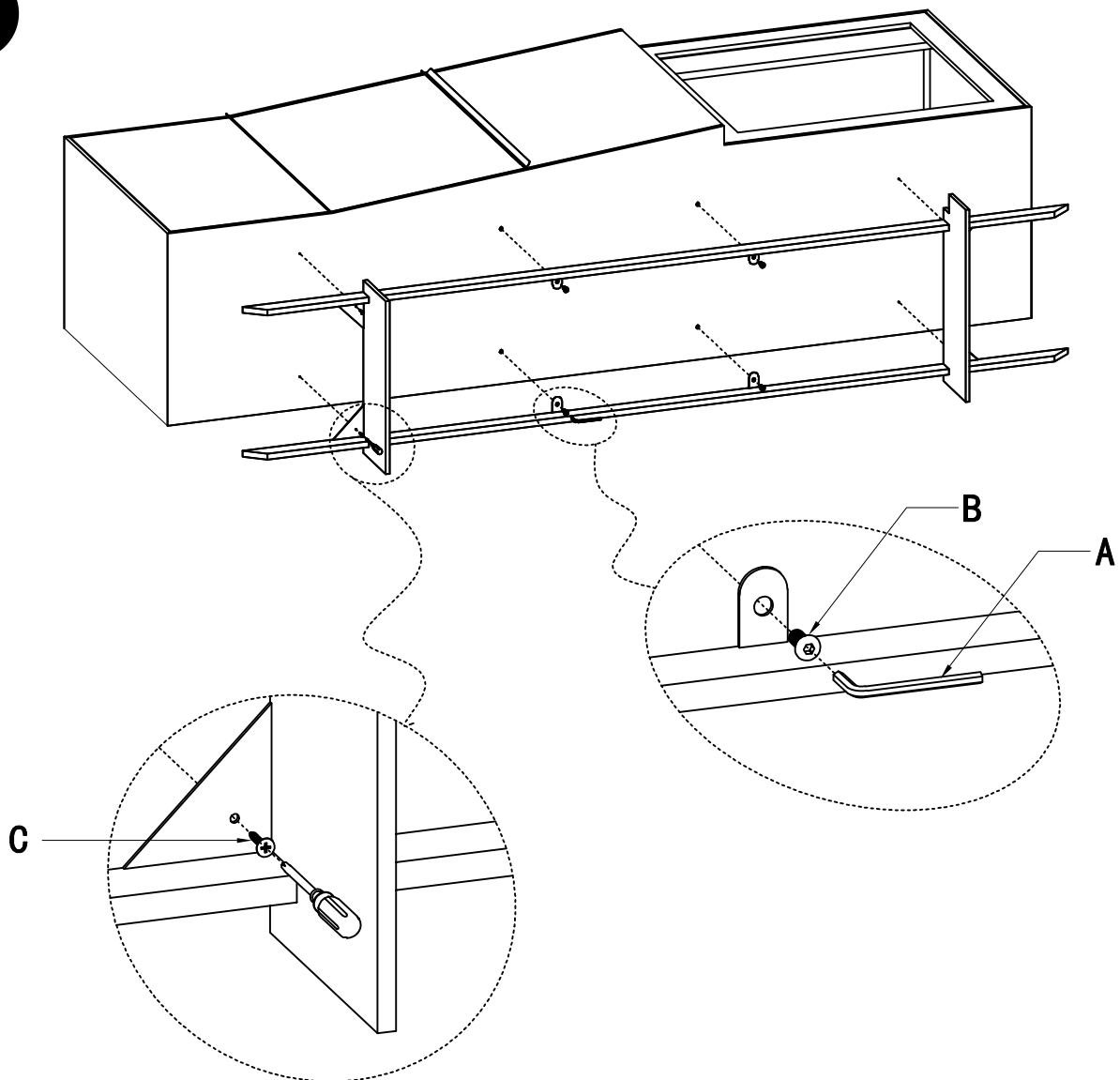


FIG.  
2

