

# GADA

A-3921

## wall light

<b>Date</b>	<b>Type</b>
<b>Project</b>	
<b>Location</b>	
<b>Model #</b>	<b>Quantity</b>
<b>Specifier</b>	

### Description

Metallic wall light providing indirect light. Possibility of personalizing the shade in different vinyl finishes.



Pictures above might not show the specified dimensions or material. They are for illustration purposes only.

### Ordering information

Product Code	Lamp	Metal Finish	Optional
A-3921	LED 15,5W (led included) <span style="color: orange;">E</span> (2700K / Ang 120° / >90 CRI / 500mA) 230V / Typ* 1917 lumens Non Dimmable	<ul style="list-style-type: none"> <li><input type="checkbox"/> 74 WH White</li> <li><input type="checkbox"/> CUSTOM</li> </ul> <b>Textured vinyl</b> <ul style="list-style-type: none"> <li><input type="checkbox"/> 50 MM Marble</li> <li><input type="checkbox"/> 51 CT Concrete</li> <li><input type="checkbox"/> 52 WD Wood</li> <li><input type="checkbox"/> CUSTOM</li> </ul>	<ul style="list-style-type: none"> <li><input type="checkbox"/> Laser cut signage (minimum order 13 units required)</li> </ul>

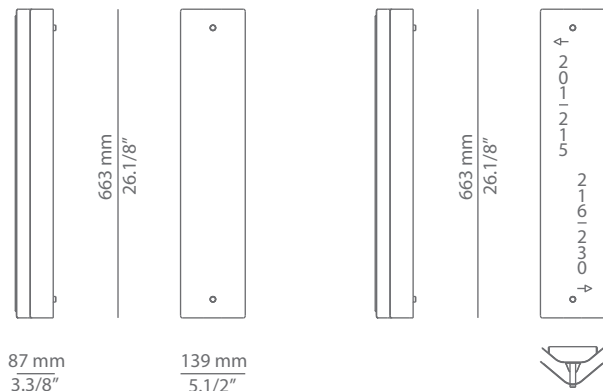
## SPECIAL REQUIREMENTS

### Custom finishes and versions

We offer custom RAL finishes.

Alternate lamping and sizes available for projects.

Consult our offices.



### Special instructions

---



---



---