

M-3907

493039071

Metallic table lamp with cylindrical shade and metal base.

Lámpara de pie metálica con pantalla cilíndrica y base de metal



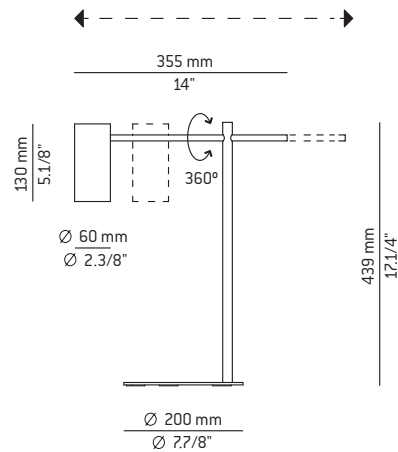
Warning

Assure yourself that the bulb never exceeds the maximum wattage specified on the label.

This lamp must be installed by an electrician certified.

Atención

No utilizar bombillas con potencia superior a la indicada en la etiqueta.
Esta lámpara debe ser instalada por un profesional.



WE RECOMMEND READING THE INSTRUCTIONS ENTIRELY BEFORE STARTING YOUR INSTALLATION

PLEASE SAVE THESE INSTRUCTIONS SO THAT YOU CAN REFER TO THEM A LATER TIME

* Make sure the power has been disconnected before installing the fixture.

* For indoor use only.

* Do not use alcohol or solvents to clean the lamp.

* For your convenience, assembly by two people is recommended.

LE RECOMENDAMOS LEA LAS INSTRUCCIONES ANTES DE PROCEDER A LA INSTALACIÓN
GUARDE LAS INSTRUCCIONES PARA FUTURAS REFERENCIAS

* Asegúrese de que la corriente está desconectada antes de conectar el aparato.

* Únicamente para uso en interiores.

* Para limpieza no utilizar alcohol ni disolventes.

* Recomendamos la intervención de 2 personas para el montaje de la lámpara.



UL 1598 ELECTRICAL INSTRUCTIONS FOR FLUSHMOUNTS, WALL SCONCES AND PENDANTS

SAVE THESE INSTRUCTIONS. MIN 90C SUPPLY CONDUCTORS. CAUTION-RISK OF FIRE. USE STATED WATT OR SMALLER. CAUTION-RISK OF SHOCK. DISCONNECT POWER BEFORE SERVICING. TO REDUCE THE RISK OF A BURN DURING RELAMPING, ALLOW THE BULB TO COOL DOWN. SUITABLE FOR DAMP LOCATION. THIS PRODUCT MUST BE INSTALLED IN ACCORDANCE WITH THE APPLICABLE INSTALLATION CODE BY A PERSON FAMILIAR WITH THE CONSTRUCTION AND OPERATION OF THE PRODUCT AND THE HAZARD INVOLVED.

WARNING: ALL WIRES AND WIRE NUTS USED IN THE INSTALLATION MUST BE RATED 195F (90°C). FOR INDOOR USE ONLY. THESE PRODUCT MUST BE INSTALLED BY A QUALIFIED ELECTRICIAN.

Assembly instructions / Instrucciones

1 - Run the stem (A) inside the stem (B). Remove the upper screw cap (C) to slide the stem (A) easily. Screw the stud (D) to fix the stem (A) in the desired position.
Figure 1.

1 - Introducir el brazo (A) por el interior del brazo (B). Sacar el tapón de rosca de la parte superior (C) para poder deslizar el brazo (A) con facilidad. Roscar el esparrago (D) para fijar el brazo (A) en la posición deseada.
Figura 1.

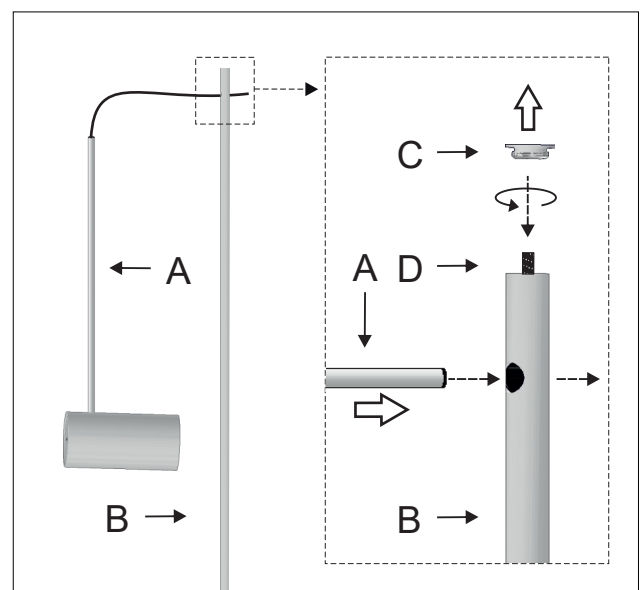


Figure 1

2 - Fix the base (E) to the lamp (B) with the supplied screw (F).
Figure 2

2- Fijar la base (E) a la lámpara (B) con el tornillo suministrado (F).
Figura 2

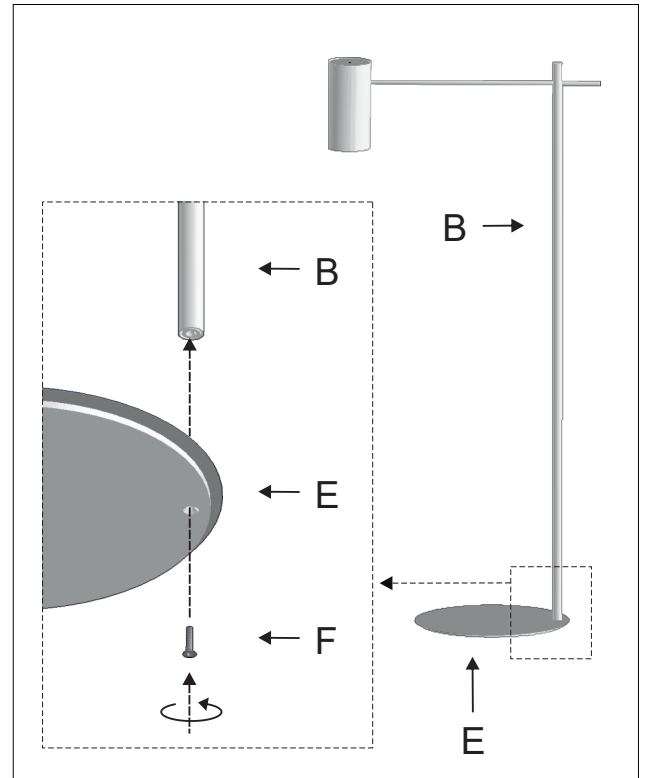


Figure 2

3 - ONLY MODELS WITH SHADE p-3908P or p-3808MP
Insert the shade's structure (G) through the head's hole (A).
Insert the threaded ring (H) to fix the shade (G) with the lamp holder.
Figure 3

3- SOLO MODELOS CON PANTALLA p-3908P o p-3808MP
Insertar la estructura de la pantalla (G) por el agujero del
cabezal (A). Insertar el anillo roscado (H) para fijar la
pantalla (G) con el portalámparas.
Figura 3

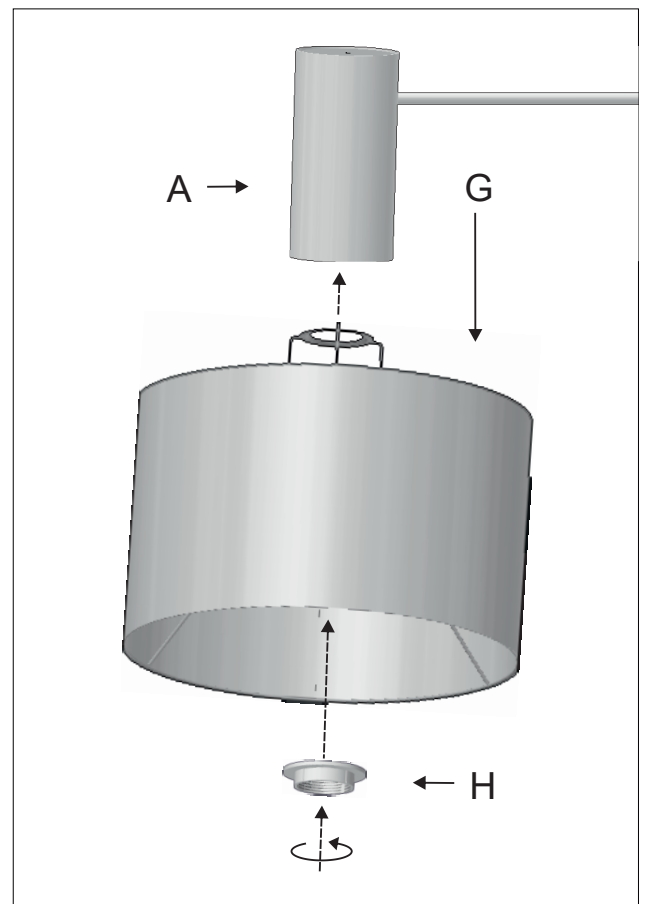


Figure 3