



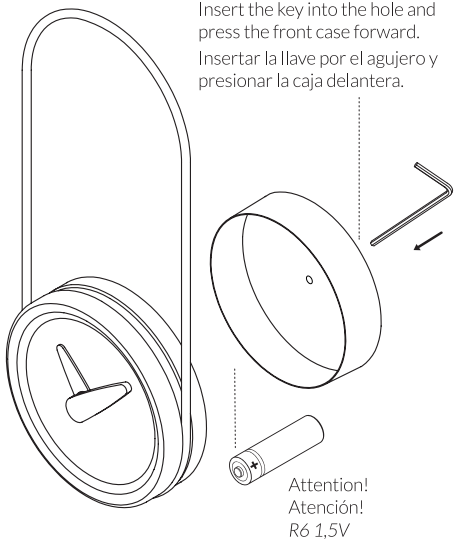
MICRO ESLABÓN

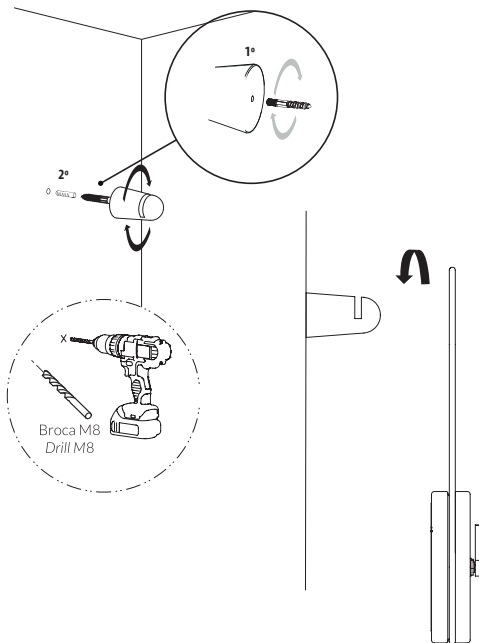
Timeless jewelry for your home

nomon

How to change the battery?

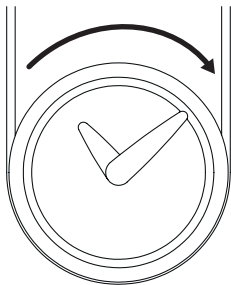
Cómo cambiar la pila?





How to set the clock?

Cómo poner el reloj en hora?



Turn the minute hand clockwise until both hands are 12 o'clock. Continue turning until the desired time is reached.

Girar cuidadosamente la aguja minutos hasta alcanzar las 12:00, continuar girando hasta la hora deseada.



NEVER turn the hands in anti-clockwise direction.

NUNCA girar las agujas en sentido antihorario.