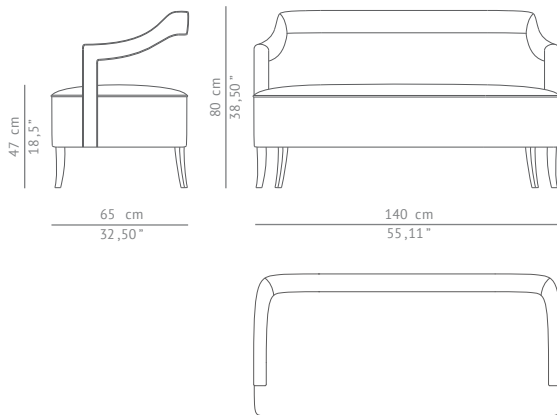


CASEGOODS UPHOLSTERY LIGHTING RUGS ART ACCESSORIES



### OKA | TWO SEAT SOFA

An two seat sofa designed for a modern home decor inspired by the dialogues of the Bakaya pigmy tribe. OKA means "listen", listen to people that are perfectly adapted to their natural environment, and who, despite the extreme remoteness and dangers of their forest home in central Africa, always find opportunities to express their humor, joyfulness and musical genius. OKA TWO SEAT SOFA embodies a myth of people that live joyfully with nature and tells a story while letting you feel its comfort and softness of the velvet cotton. OKA two seat sofa is perfect for a modern home decor.



#### DIMENSIONS

WIDTH	140 cm   55,11"
DEPTH	65 cm   25,60"
HEIGHT	80 cm   31,50"
SEAT HEIGHT	47 cm   18,50"
SEAT DEPTH	57 cm   22,44"

#### MATERIALS

FABRIC	Cotton velvet
FABRIC REFERENCE	BB MOSS I - Colour 8
FABRIC NEEDED	8 mts   314,96" (Standard width 1,40mts   55")
LEGS	Fully upholstered

#### FABRIC / LEATHER REQUEST

COM	8 mts   314,96" (Standard width 1,40mts   55")
COL	123,2 sq ft

#### PACKAGING

DIMENSIONS	W 147 cm   57,87" D 72 cm   28,34" H 87 cm   34,25"
VOLUME	0,92 m <sup>3</sup>   32,48 ft <sup>3</sup>
WEIGHT	50kg   110 lbs

#### LEAD TIME

Production time is between 6 to 8 weeks for BRABBU collections.  
Delivery time is not included.

All of our furniture can be made to measure and it is available in different finishes.  
Please note that the colours and materials shown are for reference only and small variations may occur.