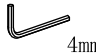
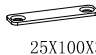


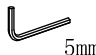
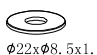
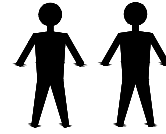
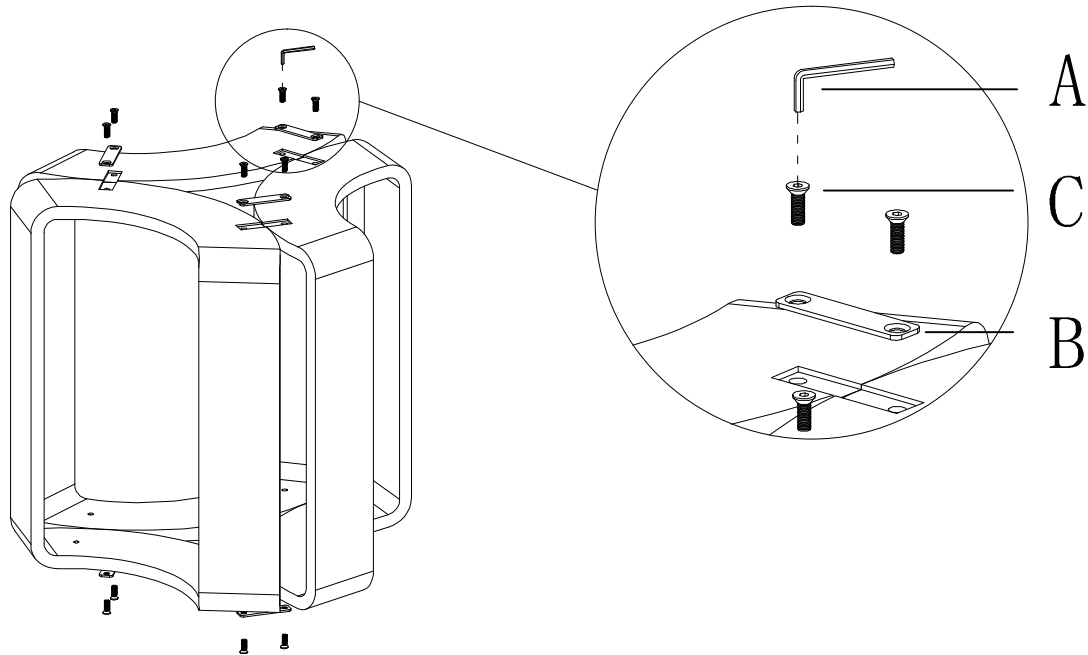


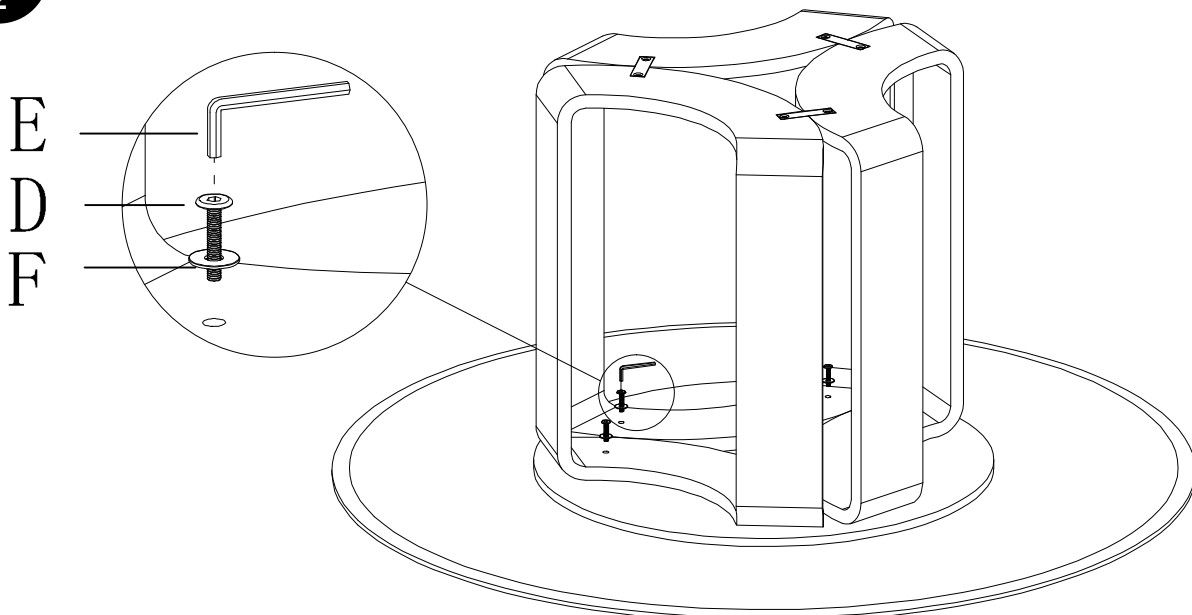
A	B	C	D	E	F
 4mm	 25X100X3	 M6X16	 M8X35	 5mm	 $\varnothing 22 \times \varnothing 8.5 \times 1.2$
1 PC	8 PCS	12 PCS	6 PCS	1 PC	6 PCS

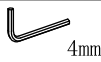
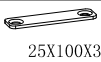


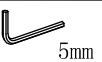
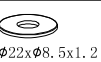


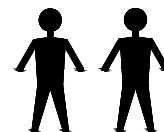
**FIG.**  
**1**



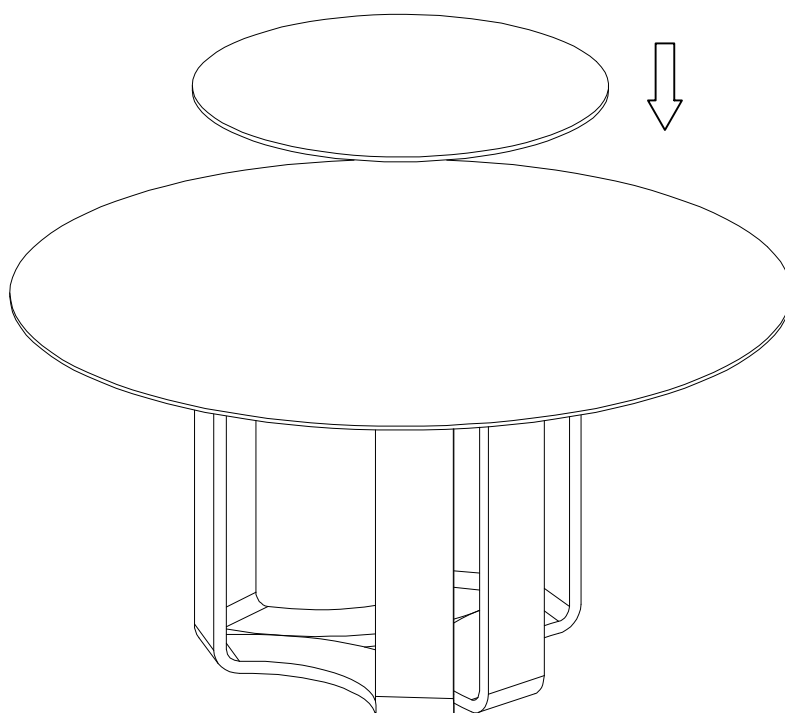
**FIG.**  
**2**



A	B	C	D	E	F
 4mm	 25X100X3	 M6X16	 M8X35	 5mm	 $\varnothing 22 \times \varnothing 8.5 \times 1.2$
1 PC	8 PCS	12 PCS	6 PCS	1 PC	6 PCS



**FIG.**  
**3**



**FIG.**  
**4**

