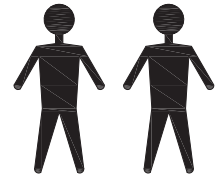


# ASSEMBLY INSTRUCTION

## 3081-CPM5336-1803



A x6  
Spec: M6\*30



B x6  
Spec: Ø8\*Ø14



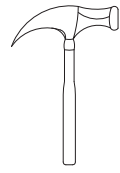
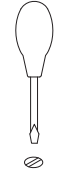
C x5  
Spec: Ø55\*12



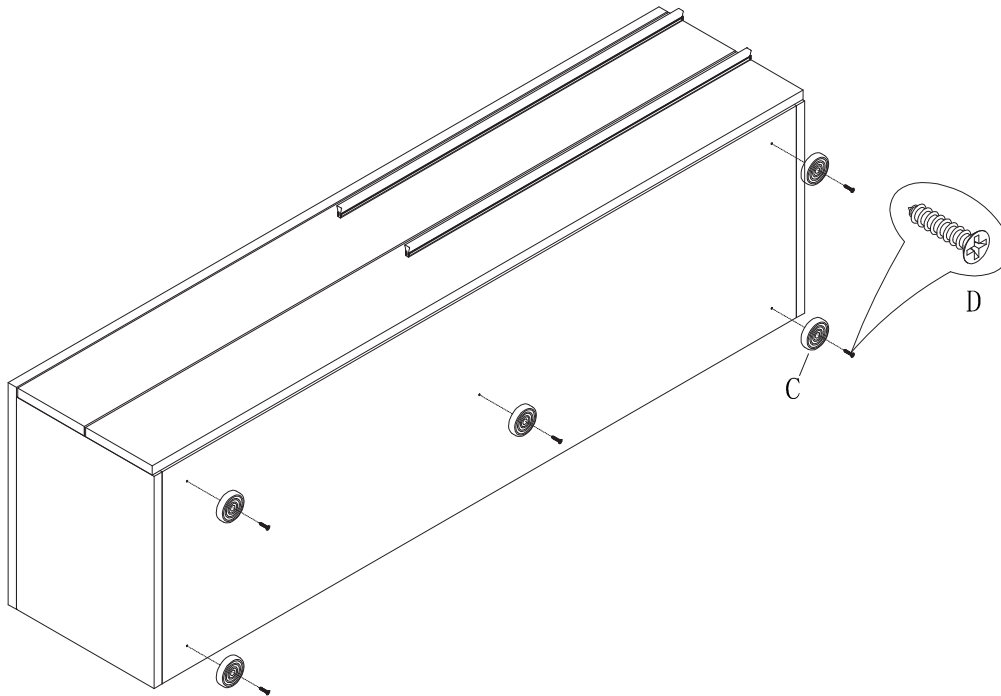
D x5  
Spec: Ø3.8\*L22



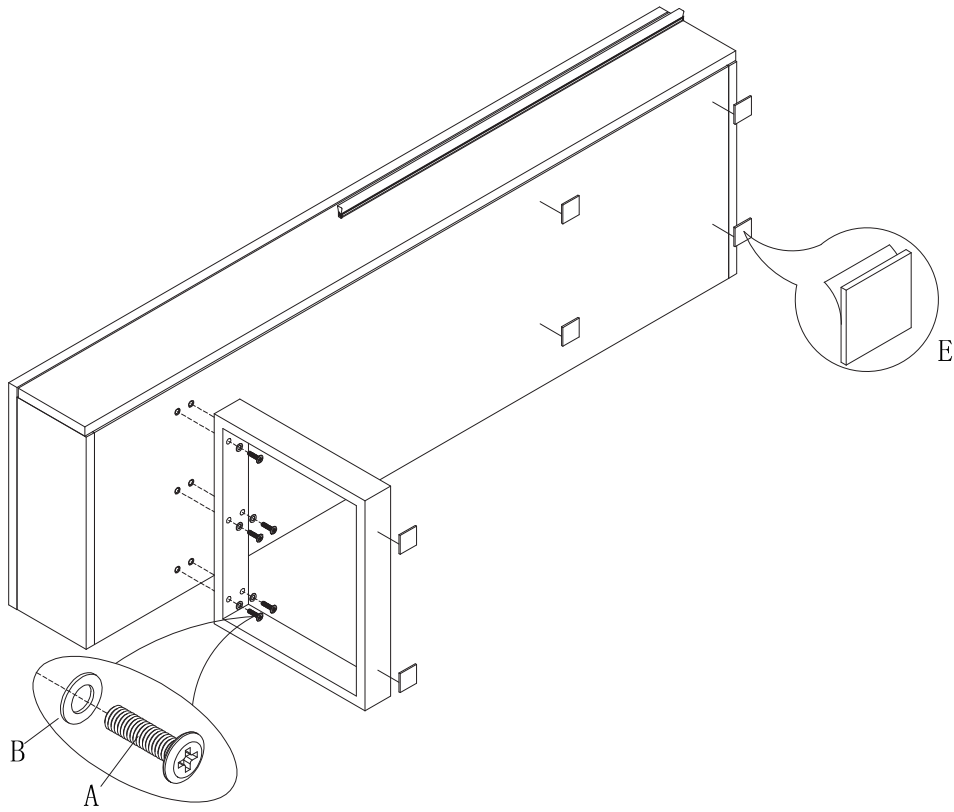
E x6  
Spec: 38\*38



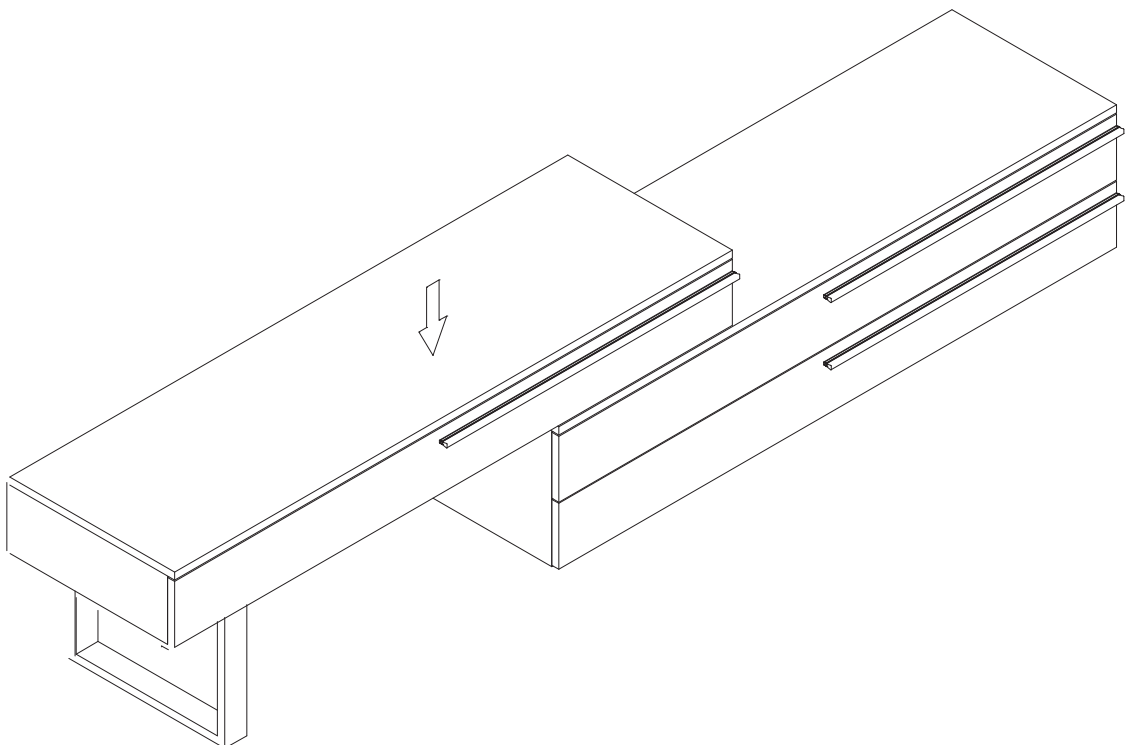
**FIG.**  
**1**



**FIG.**  
**2**



**FIG.**  
**3**



**FIG.**  
**4**

