



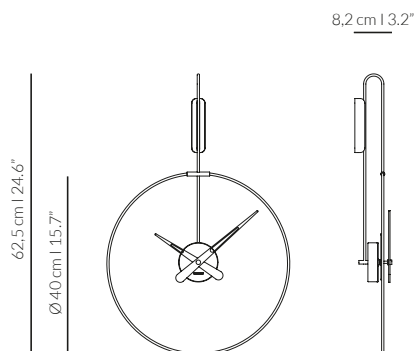
**MICRO DARO**  
*Technical Information*

**nomon**  
JEWELRY FOR HOME

# MICRO DARO

Technical Information

## TECHNICAL DRAWINGS



## MATERIALS

### BOX / CAJA

Micro Daro T: Graphite finished brass / *Latón acabado grafito*

Micro Daro G: Polished brass / *Latón pulido*

### HANDS / AGUJAS

Micro Daro T: Walnut wood / *Madera de nogal*

Micro Daro G: Walnut wood / *Madera de nogal*

### RING / ARO

Micro Daro T: Graphite finished brass / *Latón acabado grafito*

Micro Daro G: Polished brass / *Latón pulido*

### MECHANISM / MECANISMO

UTS German / *UTS alemán*

### MICRO DARO T



GRAPHITE  
FINISHED  
BRASS

WALNUT  
WOOD

### MICRO DARO G



POLISHED  
BRASS

WALNUT  
WOOD

## PACKAGING

Weight / *Peso*: 2.00 Kg | 2,00 Kg

Net weight / *Peso neto*: 0.45 Kg | 0,45 Kg

Volumetric weight / *Peso volumétrico*: 3.50 Kg | 3,50 Kg

Dimensions / *Dimensiones*: 19.3" x 18.9" x 3" | 49cm x 48cm x 7,5cm

