

TECHNICAL SPECIFICATIONS

MSAK

Sako

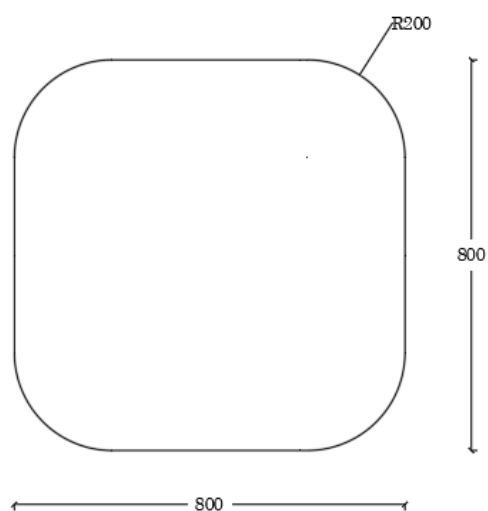
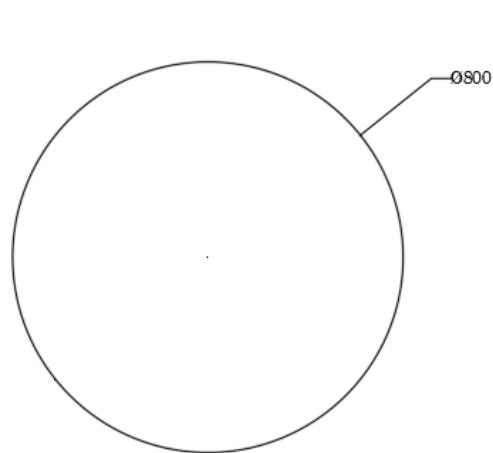
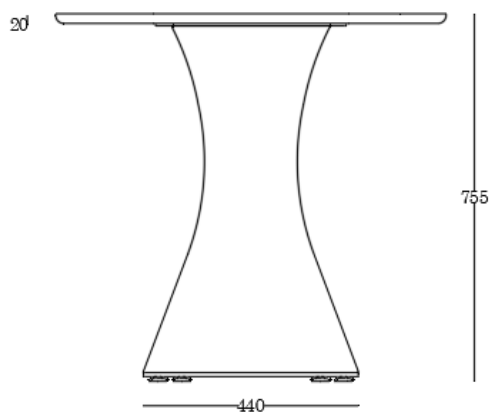
Table

This new collection of tables is born from the search for pure, soft, and gentle forms to enhance any interior. The woven material that envelops the pedestal gives the piece a feeling of warmth and great versatility. It is a functional piece with endless possibilities.

DESIGNED BY AGV Estudio



ondarreta



DIMENSIONS (without tabletop)

44 cm x 44 cm x 75,5 cm
[width x depth x height]

WEIGHT (without tabletop)

18,5 kg

“FLATPACK” Packaging

- Tabletop Ø60: 105cm x 95cm x 12cm
- Tabletop Ø70: 105cm x 95cm x 12cm
- Tabletop Ø80: 105cm x 95cm x 12cm
- Tabletop Ø90: 105cm x 95cm x 12cm
- Tabletop 60x60:105cm x 95cm x 12cm
- Tabletop 70x70:105cm x 95cm x 12cm
- Tabletop 80x80:105cm x 95cm x 12cm

CERTIFICATION

Wood with FSC forest certification

ACCESSORIES

- Electrification mini
- Electrification USB
- Upholstered cover replacement

ORIGIN

100% Made in Europe

DESIGN

AGV Estudio



COMPONENTS

COLUMN

Material

Cylindrical tube with a diameter of 100 mm and a thickness of 2 mm in pickled steel, quality St-37, cold-laminated.

Tensile strength: 340-470 N/mm²;

Yield strength: > 235

N/mm²; Elongation: > 25%,

Surface hardness: > 110 HB.

BASE

Material

Round sheet metal in S-275 JR quality steel, 8 mm thick and 440 mm in diameter

Finish

Epoxy Colour.

TABLETOP SUPPORT

Material

Round sheet metal in S-275 JR quality steel, 5 mm thick and 390 mm in diameter.

Finish

Epoxy Colour.

TABLETOP

Oak + MDF

Natural oak veneer glued and pressed under strong pressure and heat onto a 20mm thick engineered wood support. CNC machined with beveled edge.

Laminate + Birch Plywood

High-pressure laminate (HPL) glued and pressed at high temperature onto 20mm thick birch plywood. CNC machined with beveled edge.

Arpa Fénix + Birch Plywood

Arpa Fénix pressed at high temperature onto 20mm thick birch plywood. CNC machined with beveled edge. Phoenix Harp is an opaque, fingerprint-resistant, and nanotechnological material capable of recovering from micro-surface scratches.

Finish

According to the colors in the finishes box

Dimensions

Maximum tabletop sizes: Ø90 cm or 80cm x 80cm

COVER

Material

Textile cover specially designed to provide a very special geometry and design.

Finish

Fabric category B with elastic characteristics that give it the ability to adapt to the very special geometry of this product.

Contour Fabric: Colors according to Ondarreta catalogue

Moby Fabric: Colors according to Ondarreta catalogue

Moss Fabric: Colors according to Ondarreta catalogue

LEVELING GLIDES

Material

Polypropylene levelling glide with 22mm steel thread.

STEEL FINISHES

EPOXYS

Powder coating formulated with polyester resins with good mechanical and chemical properties, maximum outdoor resistance, and free of harmful compounds (TGIC). Applied electrostatically and cured in an oven at 200°C.

Technical Specifications:

Film thickness (ISO 2360): between 60 and 90 µm.

Grid adherence (ISO 2409): Quality: 0 (maximum requirement)

