

Explorer cabinet
by Jaime Hayon

Casa de Familia bottle
by Josep Maria Jujol

Gaulino family: Carlinas tables
and Gaulino stool, Peristyló
shelf and Alberto candleholder
by Oscar Tusquets

Doobide
by Alfredo Häberli

Odyssey armchair
by Eugeni Quitllet

News '23

The Explorer collection now includes a cabinet, the same fluid lines and playful volumes.

BY JAIME HAYON



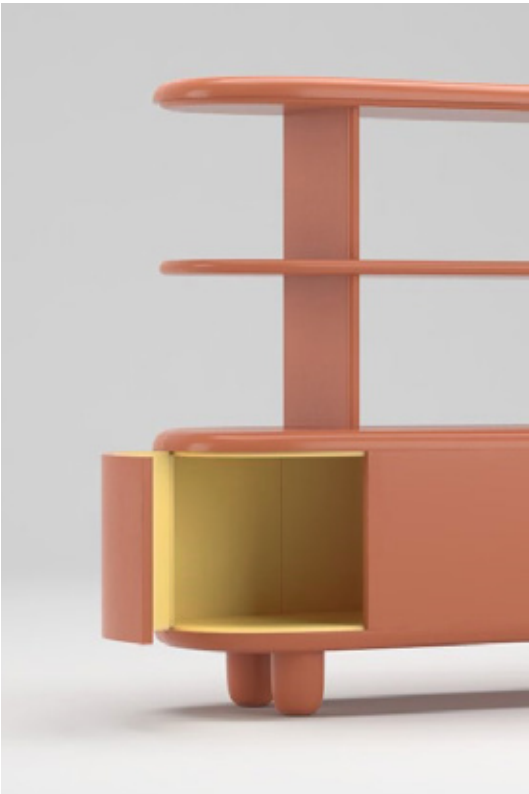
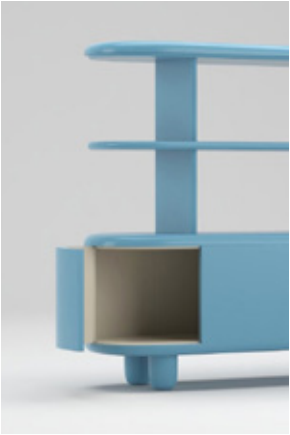
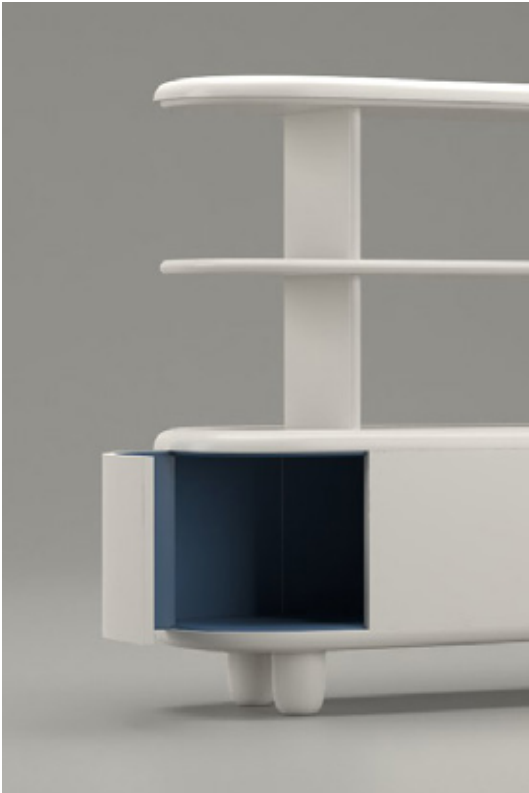
Explorer cabinet





EXPLORER CABINET

BY JAIME HAYON



EXPLORER CABINET

BY JAIME HAYON

Cupboards, doors and drawers in MDF. Exterior in gloss lacquer finish and matte lacquer finish interior. Legs made from solid alder wood, in gloss lacquer finish. Horizontal shelving and vertical bracket supports in MDF, gloss lacquer finish. Drawer units interior structure in MDF, with matte lacquer finish.

SIZE

Explorer cabinet 192

192 S : 192 x 50 x 62 cm

192 M : 192 x 50 x 82 cm

192 XL : 192 x 50 x 147 cm

Explorer cabinet 240

240 S : 240 x 50 x 62 cm

240 M : 240 x 50 x 82 cm

240 XL : 240 x 50 x 147cm

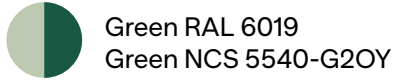
COLOR



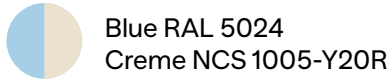
White RAL 9016
Blue RAL 5000



Black RAL 9005
Yellow RAL 1012



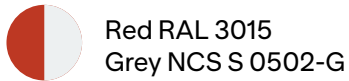
Green RAL 6019
Green NCS 5540-G2OY



Blue RAL 5024
Creme NCS 1005-Y20R



Salmon RAL D2 040 50 30
Yellow RAL 1012

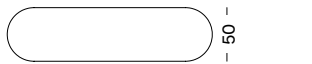
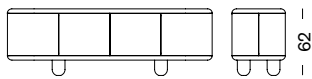


Red RAL 3015
Grey NCS S 0502-G

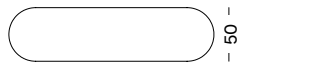
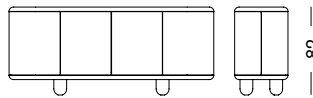


Jaime Hayon

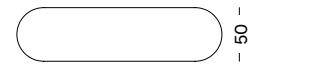
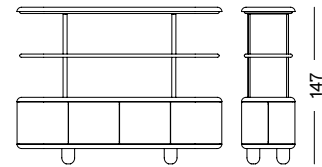
Cabinet explorer 192



192 S

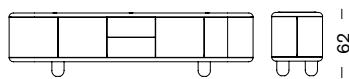


192 M

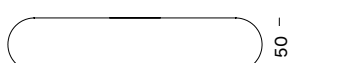
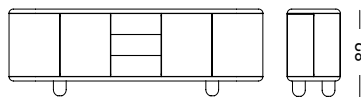


192 XL

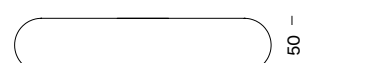
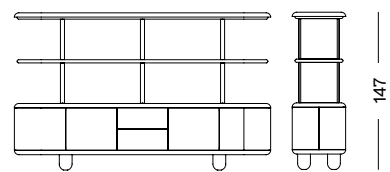
Cabinet explorer 240



240 S



240 M



240 XL

The classic Gaulino chair now includes an entire collection to accompany it.

BY OSCAR TUSQUETS



Gaulino family



Four versions of the distinctive articulated structural joints and glass table tops.

Carlina table

GAULINO FAMILY: CARLINA TABLE

BY OSCAR TUSQUETS

Solid ash timber structure, stained black. 1cm thick tempered smoked glass top.

SIZE

Carlina Dining (220)
220 x 97 x 74cm

Carlina Dining (180)
180 x 97 x 74 cm

Carlina Dining (120)
Ø 120 x 74 cm

Carlina Side Table (40)
Ø 40 x 50 cm

Carlina Low (120)
130 x 72 x 42 cm

COLOR

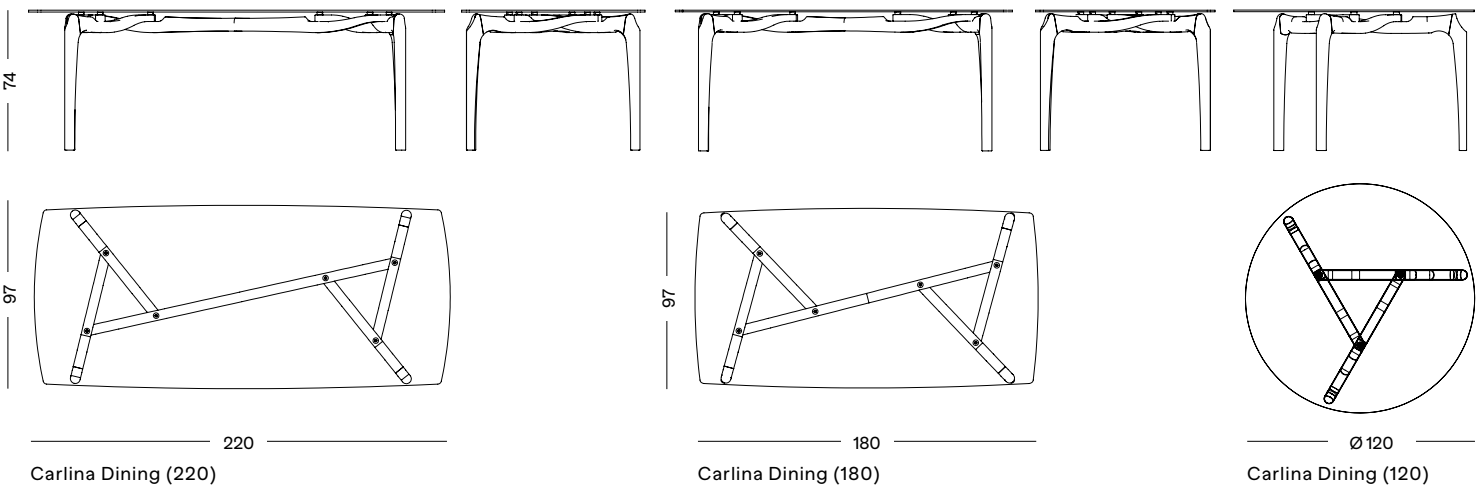


Ash stained black

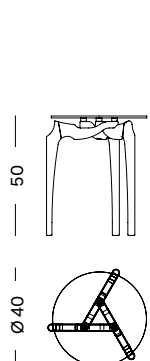


Oscar Tusquets

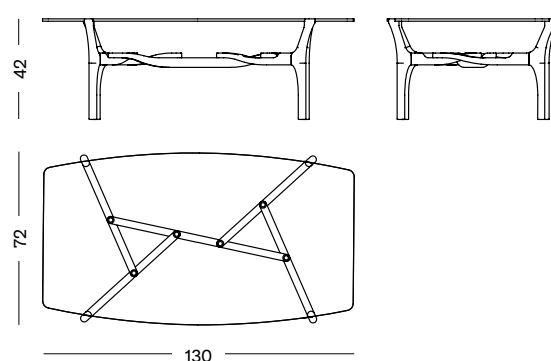
Carlina Dining



Carlina Side table



Carlina Low



Gaulino stool

A stripped-down version of the Gaulino chair creating a versatile and sculptural stool.



GAULINO FAMILY: GAULINO STOOL

BY OSCAR TUSQUETS

SIZE
50 x 46 cm

COLOR



Ash stained black.
Seat upholstered in black hide.



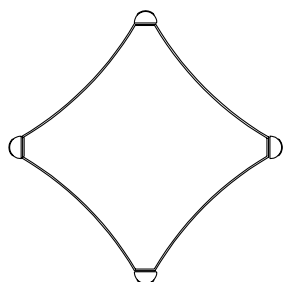
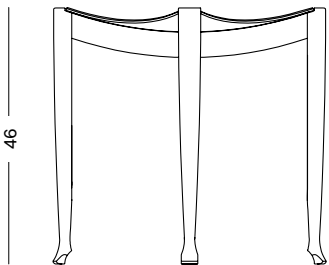
Natural varnished solid ash.
Seat upholstered in natural hide.



Coral red open pore lacquered ash (RAL 3016).
Seat upholstered in toasted hide.



Oscar Tusquets



50

Freestanding shelving with
solid structural supports, with
or without plinth.

BY OSCAR TUSQUETS



Peristylo shelf



PERISTYLO SHELF

BY OSCAR TUSQUETS

Shelving and base in solid slatted ash timber, turned solid ash timber vertical supports stained black.

SIZE

With plinth

92 x 40 x 218 cm

Without plinth

92 x 40 x 211 cm

COLOR

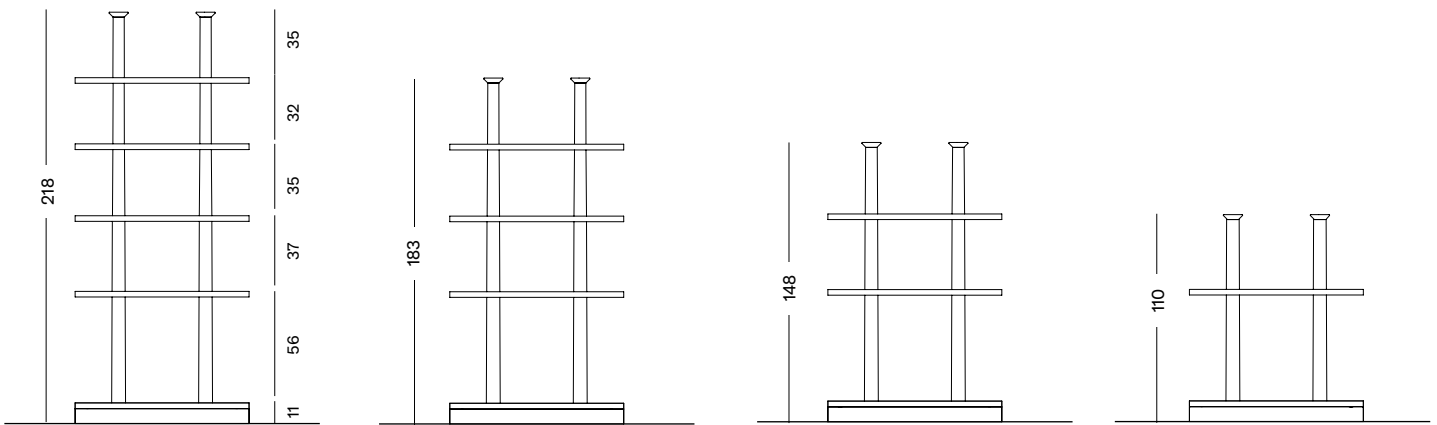
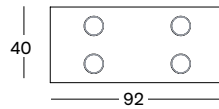


Ash stained black.

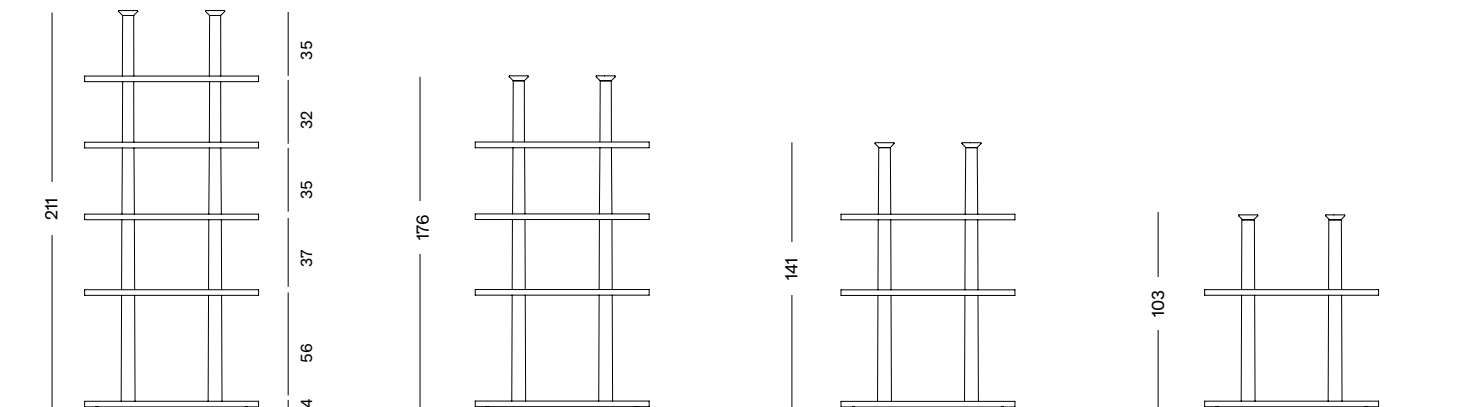
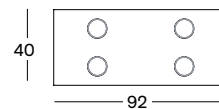


Oscar Tusquets

With plinth



Without plinth



An homage to Dali's
timeless surrealist humour
applied to candlelight.

BY OSCAR TUSQUETS



Alberto candleholder



ALBERTO CANDLEHOLDER

Cast iron painted in matte white.
Available in two heights.

SIZE

High candleholder
12 x 8 x 28 cm

Low candleholder
10 x 6 x 20 cm

COLOR

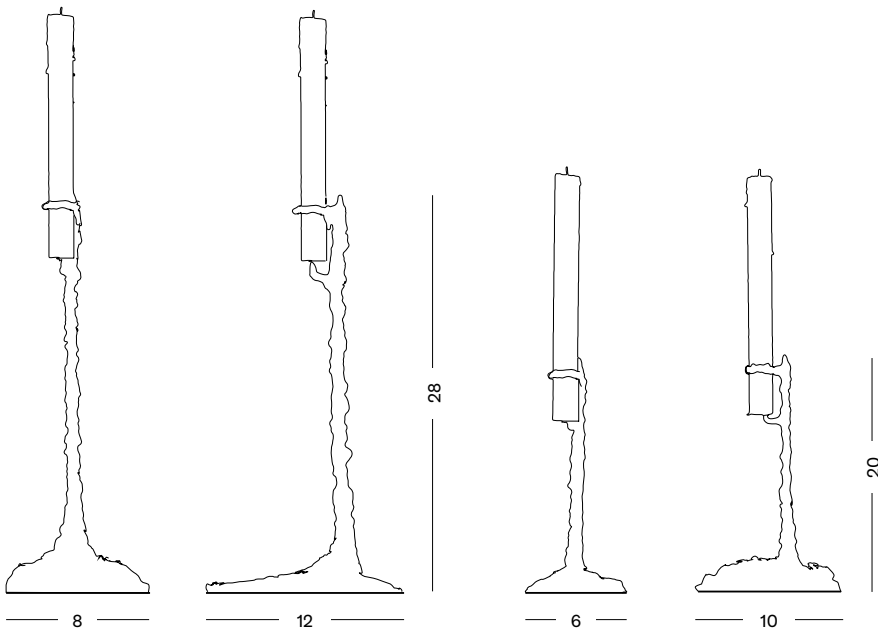


Cast iron painted in matte white.

BY OSCAR TUSQUETS



Oscar Tusquets



Ceramic version of a tactile design that marries function and beauty.

BY JOSEP MARIA JUJOL



Casa de Familia bottle



CASA DE FAMILIA BOTTLE

BY JOSEP MARIA JUJOL

The design of this sculptural bottle is an intriguing tale. Jujol created the piece in glass specially for the eponymous orphanage in 1912. Now it takes a leap forward, a new and improved more durable version in ceramic. Its tactile relief and tapered silhouette are more evident.

SIZE

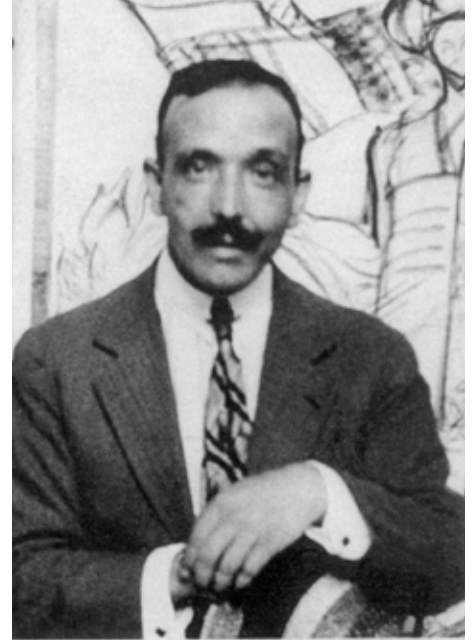
14 x 14 x 28cm

Capacity 1,2 L

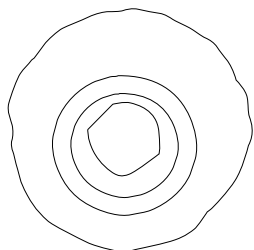
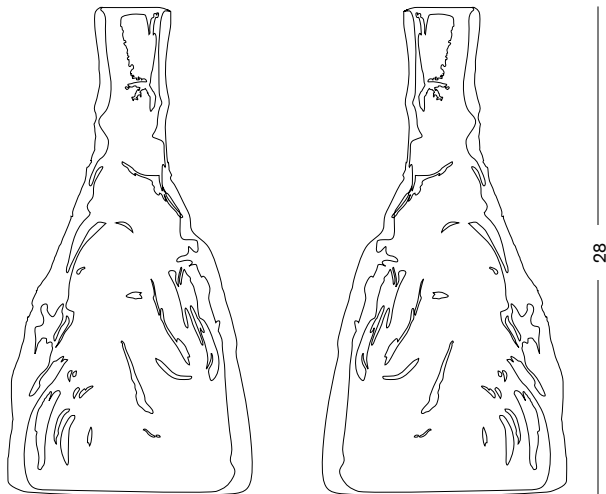
COLOR



Matte white glazed ceramic.



Josep Maria Jujol



Coffee drinking inspires a stacked
collection of pots and cups.

BY ALFREDO HÄBERLI



Doobide

50th ANNIVERSARY EDITION





DOOBIDE

A Limited edition of 50 numbered crockery sets, each one composed of a teapot and 6 teacups. The pieces are made out of dyed porcelain and painted by hand in platinum.

SIZE

Teapot
16 x h. 18 cm

Teacups
5,6 x h. 6,5 cm

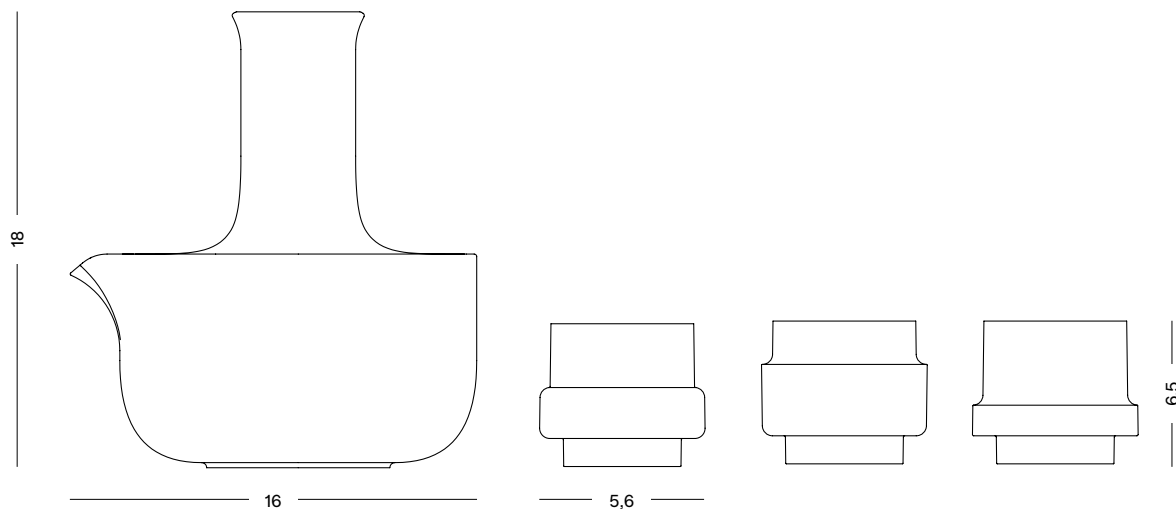
COLOR



BY ALFREDO HÄBERLI



Alfredo Häberli



BD presents a new designer to
its family with a fresh take on
comfortable seating.

BY EUGENI QUITLLET



Odyssey armchair



ODYSSEY ARMCHAIR

BY EUGENI QUITLLET

A flexible moulded polyurethane injected foam body, seat cushion and headrest. Both the body and headrest have an integral steel structure. Two adjustable headrest options. Upholstery choices: Monochrome in any of the fabrics and leathers offered by BD. Colour duo combination: The top, seat cushion and headrest are upholstered in the same fabric or leather, and the lower external base are upholstered in another fabric or leather from the BD catalogue.

Aluminium swivel base and tilting mechanism in two colours: Matte black or polished die-cast aluminium. Felt glides.

SIZE

Large headrest
75 x 81 x h.111 cm
30 x 32 x h.44 inch

Small headrest
75 x 81 x h.107 cm
30 x 32 x h.42 inch

BASE

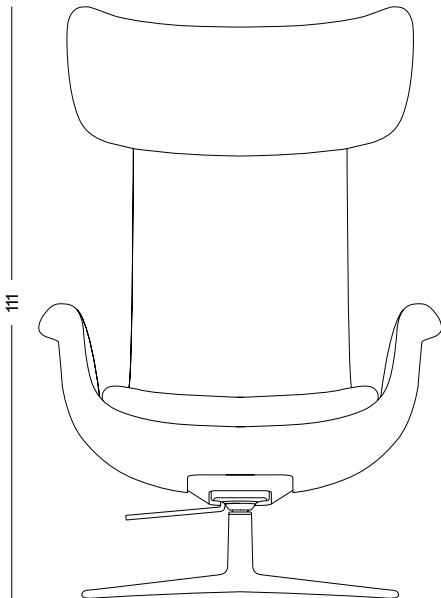
Polished die-cast aluminium



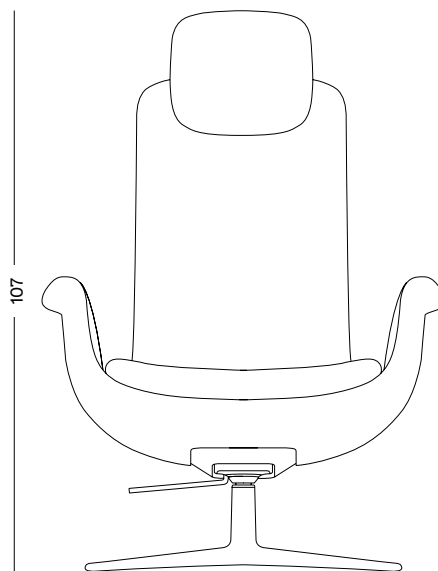
Aluminium matte black



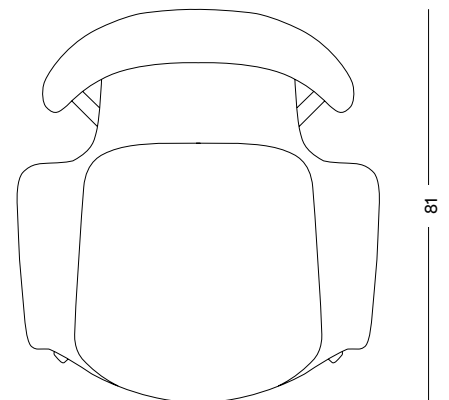
Eugeni Quitllet



Large headrest



Small headrest



75

81

For further information

BD Barcelona Design

Ramon Turró 126,

08005 Barcelona (Spain)

+34 934 586 909

bd@bdbarcelona.com

bdbarcelona.com

