

TECHNICAL CHARACTERISTICS

SSUPRB

Supra

Chair Wood

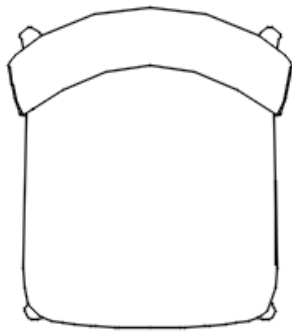
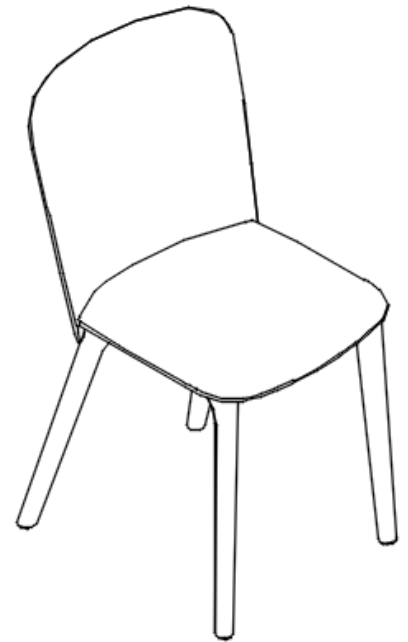
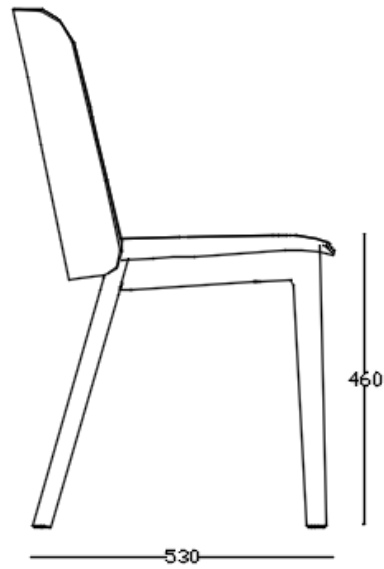
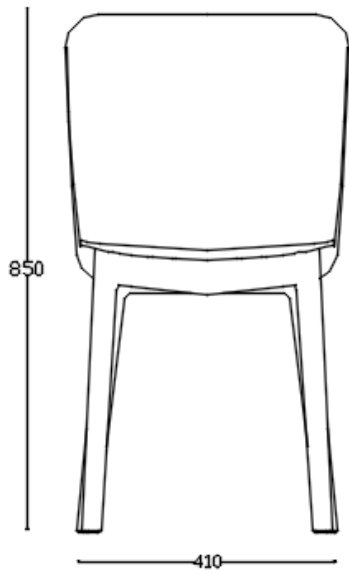
The Supra chair, an elegant shell with character, in combination with different structures, is a perfect product for diverse spaces and uses.

Inspired on the structural beams constructive principles Supra achieves the feeling of both independent seat and back parts in a unique solid piece.

DESIGNED BY NOTE DESIGN STUDIO



ondarreta



DIMENSIONS

41 cm x 53 cm x 85 cm x 46 cm
[width x depth x height x seat
height]

WEIGHT

7 kg

PACKAGING

Two pieces per box.

Box dimensions: 62.3 cm x 48 cm x
98.5 cm

CERTIFICATION

Product tested under the European
standard EN 16139:2013, category of
severe use, L2. PEFC certified wood

ACCESSORIES

Felt glides

ORIGIN

100% Made in Europe

DESIGN

Note Design Studio



COMPONENTS

FRAME

Material

Solid Oak wood with PEFC certification, machined using CNC technology. Medium density: 720 kg/m³; bending strength: 950 kg/cm²; Tensile strength: 980 kg/cm²; Highly resistant to fungi and termites.

Finish

Stained

SHELL

Special Raw Textured Polypropylene

Special translucent textured impact copolymer for a matte finish. It boasts good mechanical properties, transparency, and lightness.

Technical Features:

Density (per ISO 1183): 900 kg/m³;

Yield stress (per ISO 527-1/-2): 23 N/mm²;

Flexural modulus (per ISO 178): 1100 N/mm² (23°C)

Finish

Textured matte, fully upholstered, or seat-pad upholstered.

UPHOLSTERY

Fully upholstered

Exclusive upholstery method ensuring perfect fabric adherence to the seat, maintaining the chair's silhouette. Medium-density polyester foam filling.

Upholstered seat-pad

Exclusive upholstery method ensuring perfect fabric adherence to the seat, maintaining the chair's silhouette. Medium-density polyester foam filling.



WOOD FINISHES

STAIN

Pigmented enamel base with a final coating of transparent stain with a silky touch. Reactively drying enamels with excellent layer-to-layer adherence and mechanical resistance.

Technical characteristics:

Complies with requirements outlined by UNE-EN 71-3; All compounds free of formaldehydes.

FABRIC REQUIREMENTS

Upholstered seat: 55 cm

Fully upholstered (seat + back): 110 cm

