

Products / Planters / Vineyard Planter

Vineyard planter

by Ramón Esteve

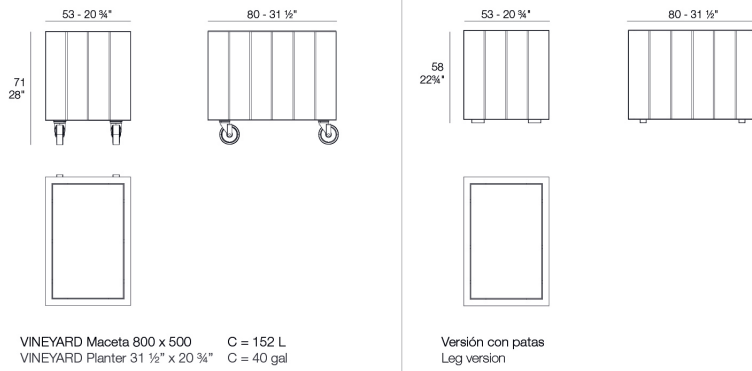
Vineyard Collection, by Ramon Esteve, is an aluminium and wooden outdoor furniture collection with a rustic and warm style.



Info

Description

Weight: 43.7 Kg



Finishes

finishes

TekaNaturalRuedas
Ref. 54508SU



castoro fiber



bronze



crema

TekaOscuraRuedas
Ref. 54508ESU



castoro fiber



bronze



crema

TekaNaturalPatas
Ref. 54508



castoro fiber



bronze



crema

TekaOscuraPatas
Ref. 54508E



castoro fiber



bronze



crema

SolidCoreRuedas Ref. 54508ZSU



castoro fiber



bronze



crema

SolidCorePatas Ref. 54508Z



castoro fiber



bronze



crema

panel/top

PANEL/TOP Ref. 54508PAN

Ambients

