

BYRON • SUSPENSION
REF. 9970.100

WEIGHT

Net Weight: 67kg | 26.4 lbs
Gross Weight: 79kg | 31.1 lbs

BULBS

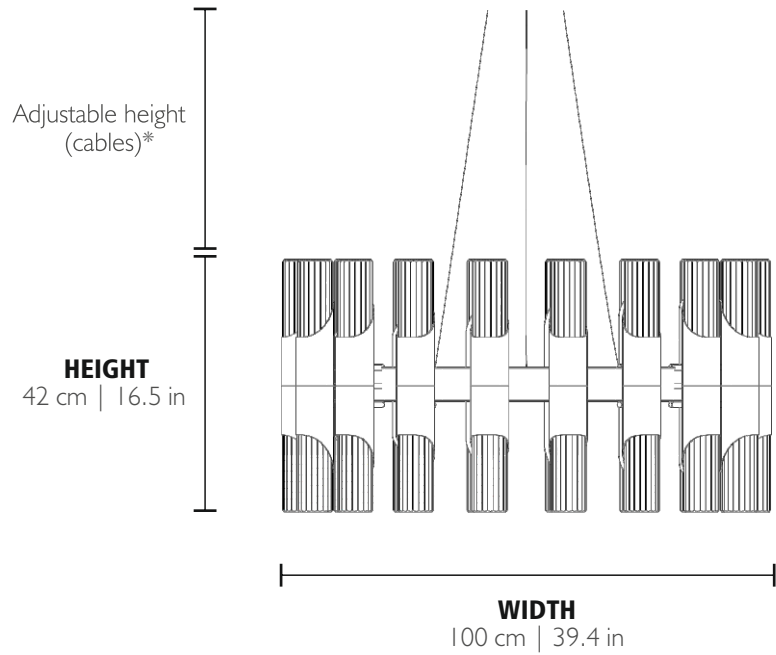
Quantity: 36
Type: G9
Wattage: 40W (max)

MATERIALS

Body: Brass
Details: Glass

PACKING (approx.)

Dimensions: 111 x 111 x 60 cm
43.7 x 43.7 x 23.6 in



- CE - Products manufactured according the European norm of security EN 60 598-1.
- VF - Products adjusted for instalation in surfaces normally inflammable.
- - Products of class II. The electric isolation is double or reinforced.
- ES - Products with the possibility of instalation of low-energy consumption bulbs.

PRODUCT FINISHES & COSTUMIZATION OPTIONS



MORE FINISHES AVAILABLE HERE:

[CLICK HERE](#) 