






**1**

 1 pcs	 2 pcs
 2 pcs	 2 pcs
 2 pcs	

**2**

**3**

**4**


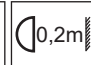
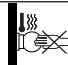
**5**

**6**

LIGHT SOURCE - FUENTE DE LUZ

SMD 10W 3000K 500lm INCL.

TECHNICAL FEATURES - CARACTERÍSTICAS TÉCNICAS

	DRIVER BUILT-IN	100V-240V ~50Hz/60Hz	 0,2m		IP65
---	-----------------	----------------------	--	---	------

