

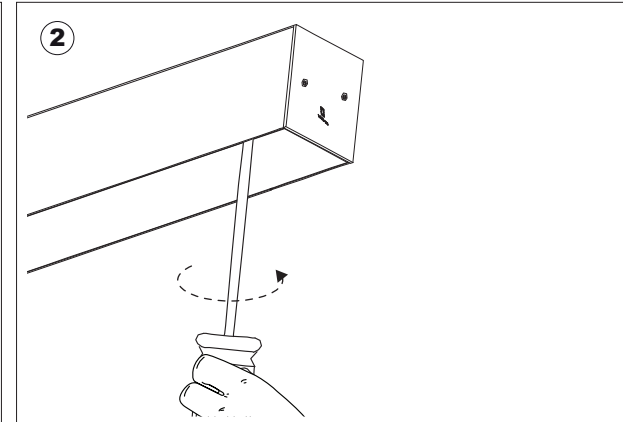
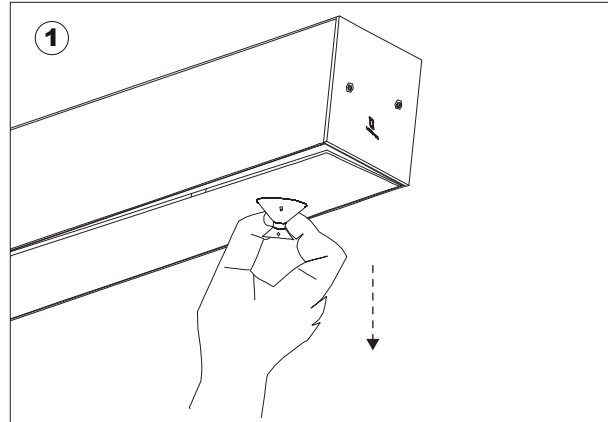
**VIA options**

68mm  
40mm | 1120mm

68mm  
40mm | 840mm

68mm  
40mm | 560mm

2uds



3

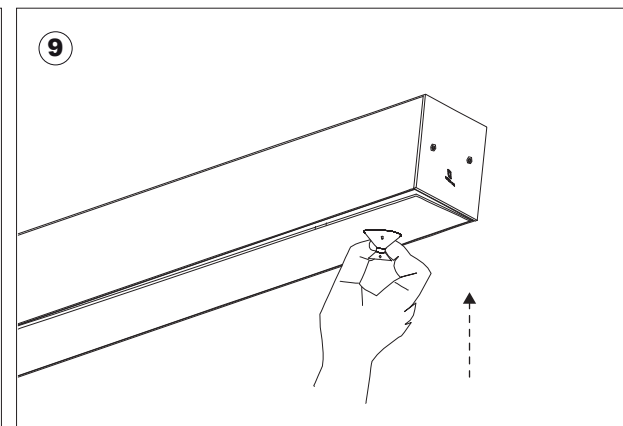
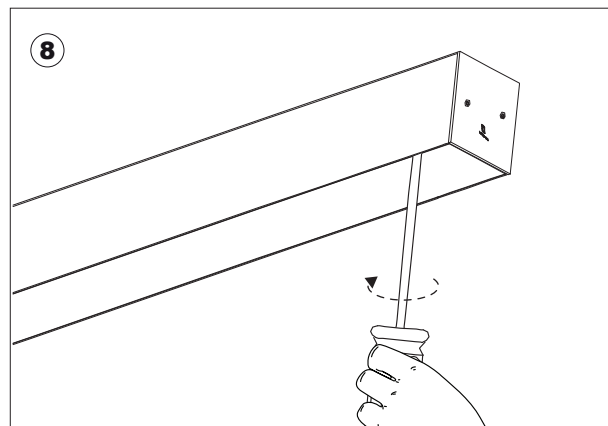
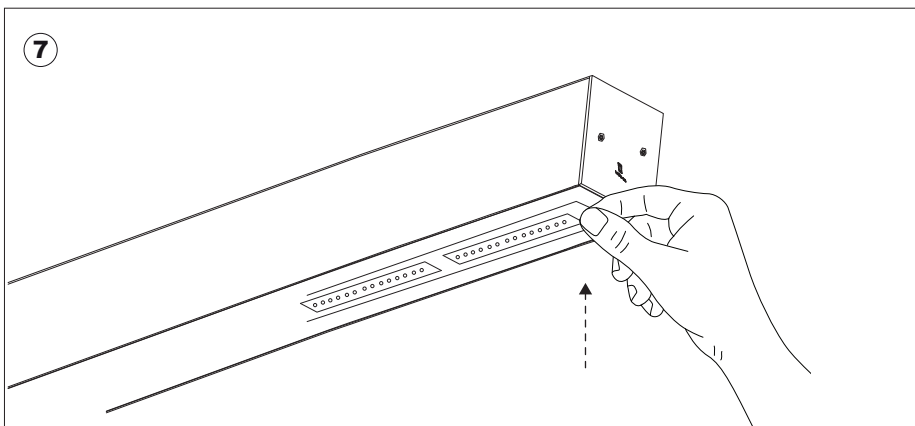
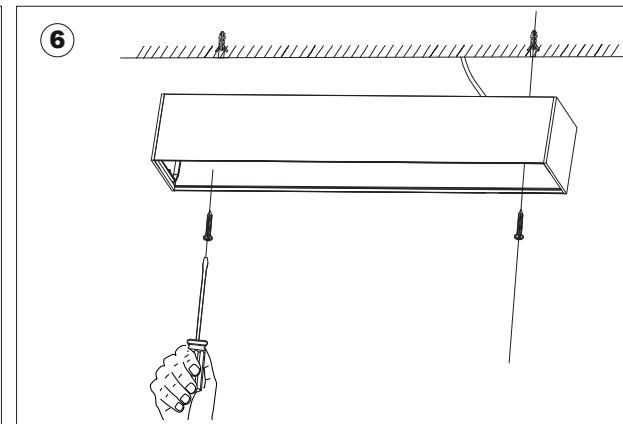
220V-240V  
50Hz/60Hz

4

L  
N  
⊥

5

VIA 1120mm - 970mm  
VIA 840mm -- 800mm  
VIA 540mm -- 500mm



**TECHNICAL FEATURES - CARACTERÍSTICAS TÉCNICAS**

LED light surface.  
for information visit [www.faro.es](http://www.faro.es)

repair service

DRIVER INCL

220V-240V  
~50Hz/60Hz