

TECHNICAL CHARACTERISTICS

MDOND280EEA

Don

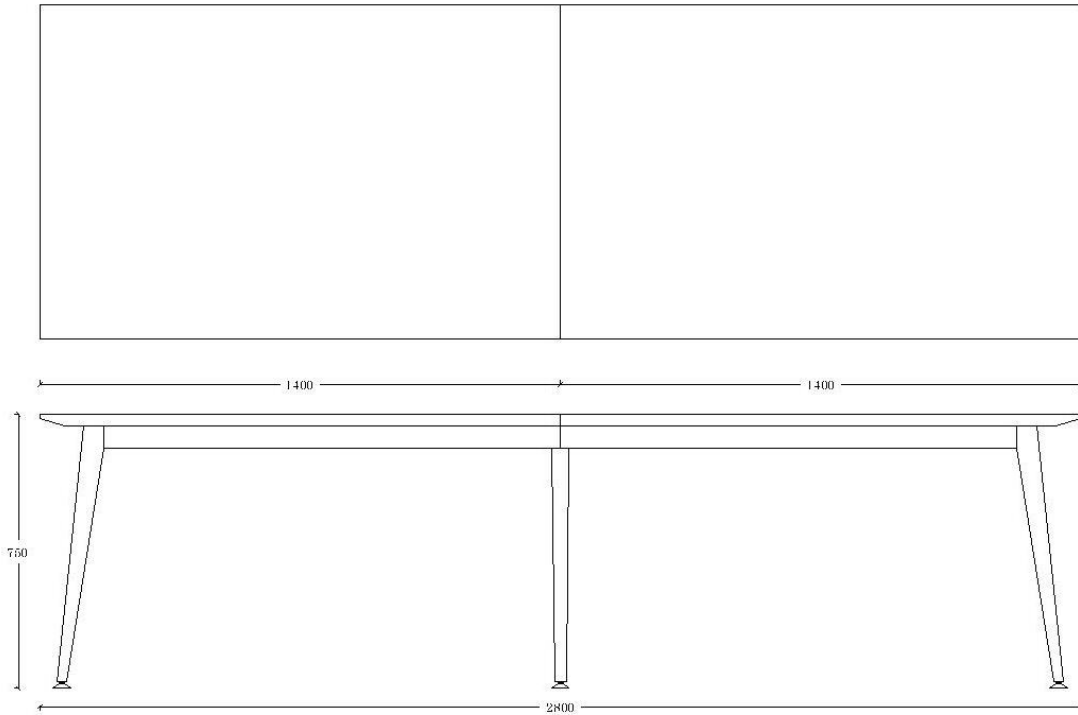
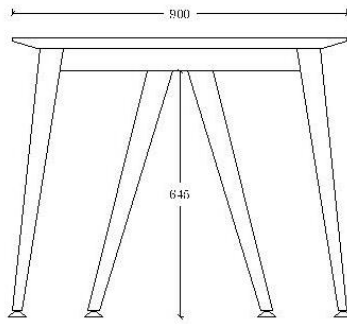
Double Table

A steel-structure table that bursts into the space, filling it with industrial airs. It may be combined with tabletops made of laminates. Now available in its double version, the Don table is a blend of its own identity, full of strength, creating radically different spaces.

DESIGNED BY NADIA ARRATIBEL



ondarreta



DIMENSIONS

Height: 74 cm(29,1")
 Free height: 64 cm (25,2")

280 cm x 90 cm (110,2" x 35,4")
 340 cm x 100 cm (133.9" x 39,4")
 380 cm x 100 cm (149.6" x 39,4")
 [width x depth]

WEIGHT

93 kg [205 lb] (280 x 90)
 118 kg [260.1 lb] (340 x 100)
 128 kg [282.2 lb] (380 x 100)

PACKAGING

280 cm x 90 cm (110,2" x 35,4")
 box 1: 155 cm x 100 cm x 15 cm (61" x 39,4" x 5,9")
 box 2: 155 cm x 100 cm x 15 cm (61" x 39,4" x 5,9")

340 cm x 100 cm (133.9" x 39,4")
 box 1: 195 cm x 110 cm x 15 cm (76,8" x 43,3" x 5,9")
 box 2: 195 cm x 110 cm x 15 cm (76,8" x 43,3" x 5,9")

380 cm x 100 cm (149.6" x 39,4")
 box 1: 215 cm x 110 cm x 15 cm (84,6" x 43,3" x 5,9")
 box 2: 215 cm x 110 cm x 15 cm (84,6" x 43,3" x 5,9")

ORIGEN

100% Fabricado en Europa

DISEÑO

Nadia Arratibel



COMPONENTES

STRUCTURE

Material

3 mm (0.1") thickness cold laminated St-37 quality steel sheet, laser cut and folded.

Tensile Strength: 340-470 N/mm² (49,300-68,160 psi);

Elastic Limit > 235 N/mm² (32,080 psi); Elongation > 25%;

Surface Hardness > 110 HB.

Finish

Epoxy Colour

TABLETOP

Beech + MDF

Beech wood sheet on technical wood table of 30 mm (1.18") thick, CNC machined and beveled edge.

Oak + MDF

European Oak sheet on technical wood table of 30 mm (1.18") thick, CNC machined and beveled edge.

Laminate + birch plywood

High pressure laminate glued and pressed in high temperatures on a Birch plywood wood table of 30 mm (1.18") thick, CNC machined and beveled edge.

Porcelain + MDF

Combination of porcelain sheet and beveled and lacquered technical wood. The porcelain is fire, chemicals, scratch, wear and UV radiation resistant. It's waterproof, making cleaning and maintenance easy.

Arpa Fénix + birch plywood

Arpa Fénix laminate glued and pressed in high temperatures on a Birch plywood wood table of 30 mm (1.18") thick, CNC machined and beveled edge.

Arpa fenix is an extremely opaque, anti-fingerprint and nanotechnological material that heals superficial micro-scratches.

Características técnicas:

Urea-formol glue: low formaldehyde emission (E1 European Normative)

The wood has the PEFC certificate.

METAL FINISHES

EPOXYS

Powder covering formulated with polyester resins, with good both mechanical and chemical properties, outdoor maximum resistance and noxious compounds free. Electrostatic application and oven cured at 200°C (392°F).

Technical characteristics:

Thickness (ISO 2360): between 60 and 90 µm.

Adherence (ISO 2409): Grade: 0 (maximum adherence)



WOOD FINISH

STAIN

Pigmented enamel with a transparent stain coating. Reactive drying paints: excellent adherence between layers and better mechanical resistance.

Technical characteristics:

Satisfying UNE-EN 71-3 normative; Formaldehyde free compounds.