

TECHNICAL CHARACTERISTICS

SSUPGRE

# Supra

## Chair swivel adjustable

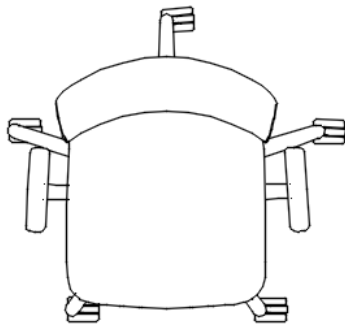
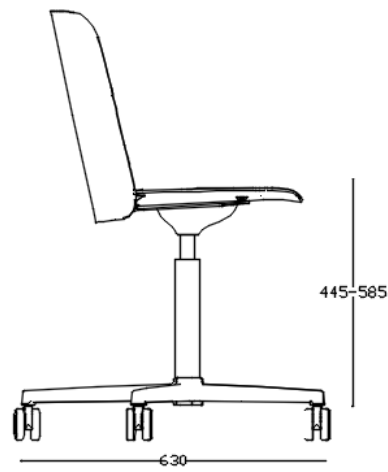
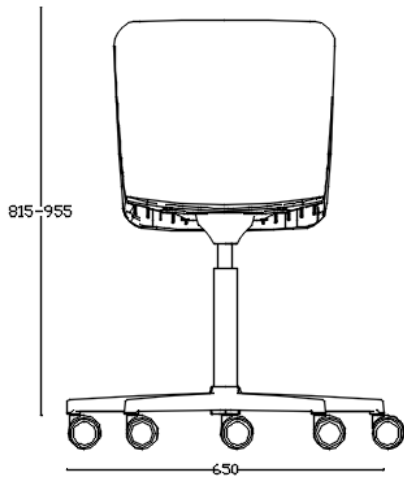
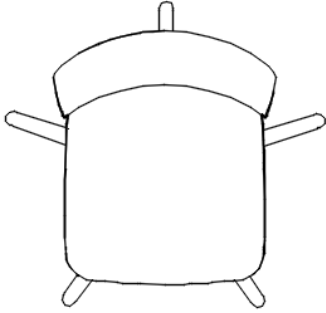
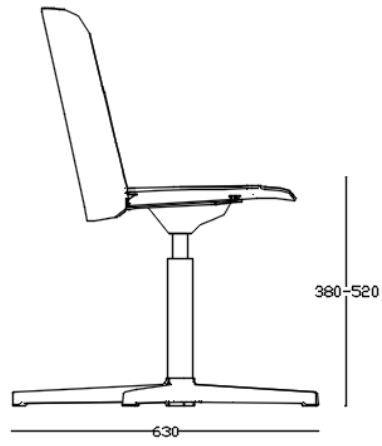
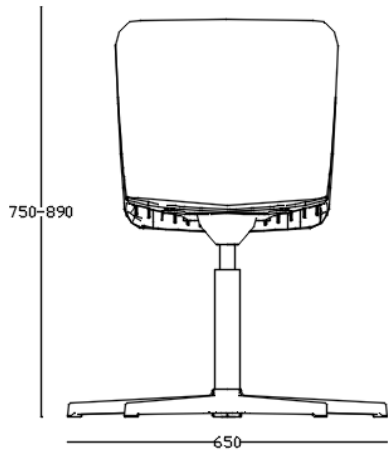
The Supra chair, an elegant shell with character, in combination with different structures, is a perfect product for diverse spaces and uses.

Inspired on the structural beams constructive principles Supra achieves the feeling of both independent seat and back parts in a unique solid piece.

DESIGNED BY NOTE DESIGN STUDIO



**ondarreta**



**ondarreta**

## DIMENSIONS

65 cm x 63 cm x 75-89 cm x 38-52 cm [width x depth x minimum-maximum height x minimum-maximum seat height]

### Version with castors:

65 cm x 63 cm x 81.5-95.5 cm x 44.5-58.5 cm [width x depth x minimum-maximum height x minimum-maximum seat height]

## WEIGHT

8 kg

## PACKAGING

Two pieces per box.

Package Measurements: 70 cm x 67 cm x 100 cm

Disassembled: 80 cm x 60 cm x 70 cm

## ACCESSORIES

Castors

Felt Glides

## ORIGIN

100% Made in Europe

## DESIGN

Note Design Studio



## COMPONENTS

### **FRAME**

#### **Material**

Sandblasted aluminum injection base, mounting plate, and lever. Steel column with a diameter of 50 mm with adjustable height gas in steel.

#### **Finish**

Epoxy in selected colors

### **SHELL**

#### **Special Textured Raw Polypropylene**

Special raw copolimer translucent textured polypropylene with matt finish. Very good mechanical properties, translucency and lightness.

#### **Technical Features:**

Density (per ISO 1183): 900 kg/m<sup>3</sup>;

Yield stress (per ISO 527-1/-2): 23 N/mm<sup>2</sup>;

Flexural modulus (per ISO 178): 1100 N/ mm<sup>2</sup> (23°C)

#### **Finish**

Matt textured polypropylene, fully upholstered, or seat upholstered

### **UPHOLSTERY**

#### **Fully Upholstered**

Exclusive and unique upholstery system that allows the fabric a perfect adherence to the shell (both seat and back), maintaining the own chair's shape. Medium density polyether stuffing foam.

#### **Seat Upholstered**

Exclusive and unique upholstery system that allows the fabric a perfect adherence to the seat, maintaining the own chair's shape. Medium density polyether stuffing foam.





## **METAL FINISHES**

### **EPOXYS**

Powder coating formulated with polyester resins, exhibiting good mechanical and chemical properties, maximum outdoor resistance, and free of harmful compounds (TGIC). Electrostatic application and oven curing at 200°C

### **Technical Features:**

Film thickness (per ISO 2360): between 60 and 90 µm; Grid adherence (per ISO 2409): Grade 0 (maximum adherence).

## **UPHOLSTERY REQUIREMENTS**

Upholstered Seat: 55 cm

Fully Upholstered (seat + backrest): 110 cm

