

ASSEMBLY INSTRUCTION

7014-B565 - 1474



Step	Specific operation methods and guidance
1	Use F wood screws to install the head, bedside and tail end to install C accessories and cotton pad I
2	Use the D screw to fix the head and the bed with an angle A and install the foot E with the F screw.
3	Use the D screw to fix the end of the bed and the edge of the bed with the A angle iron, and install the foot E with the F screw.
4	Assembling the skeleton foot H and installing the skeleton

NO.	Quantity	Accessory
A	8	A
C	10	C
D	32	30x8mm
E	4	J-020-2-H14cm
F	46	40x5mm
G	1	
H	1	19cm
I	10	black cotton pad 30mm

FIG. 1

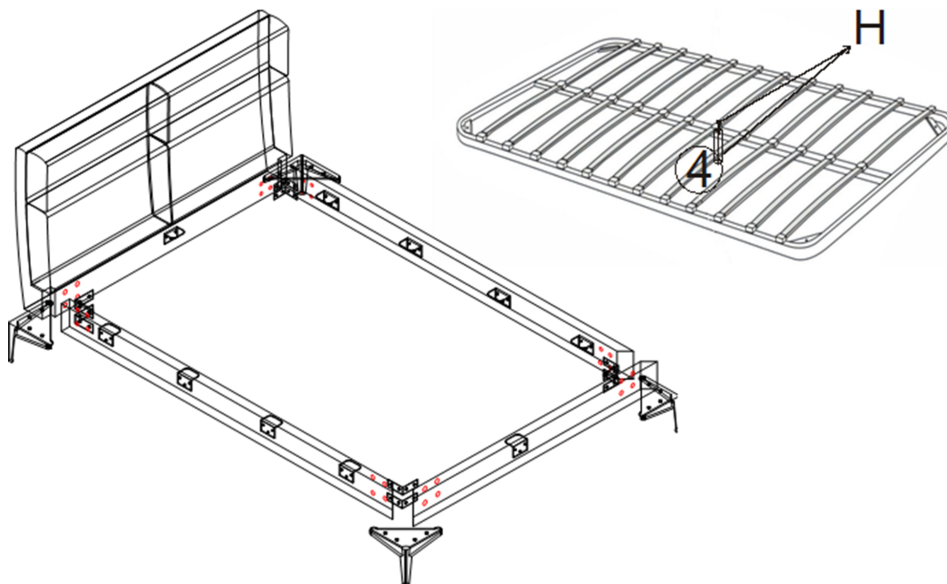


FIG. 2

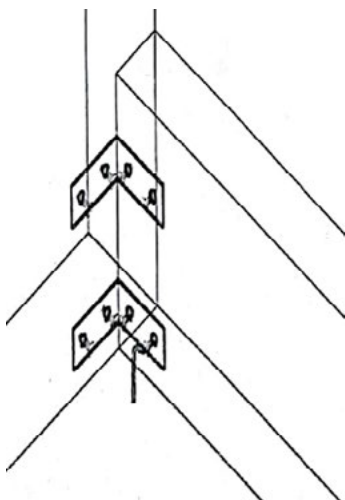


FIG. 3

