

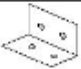

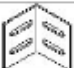




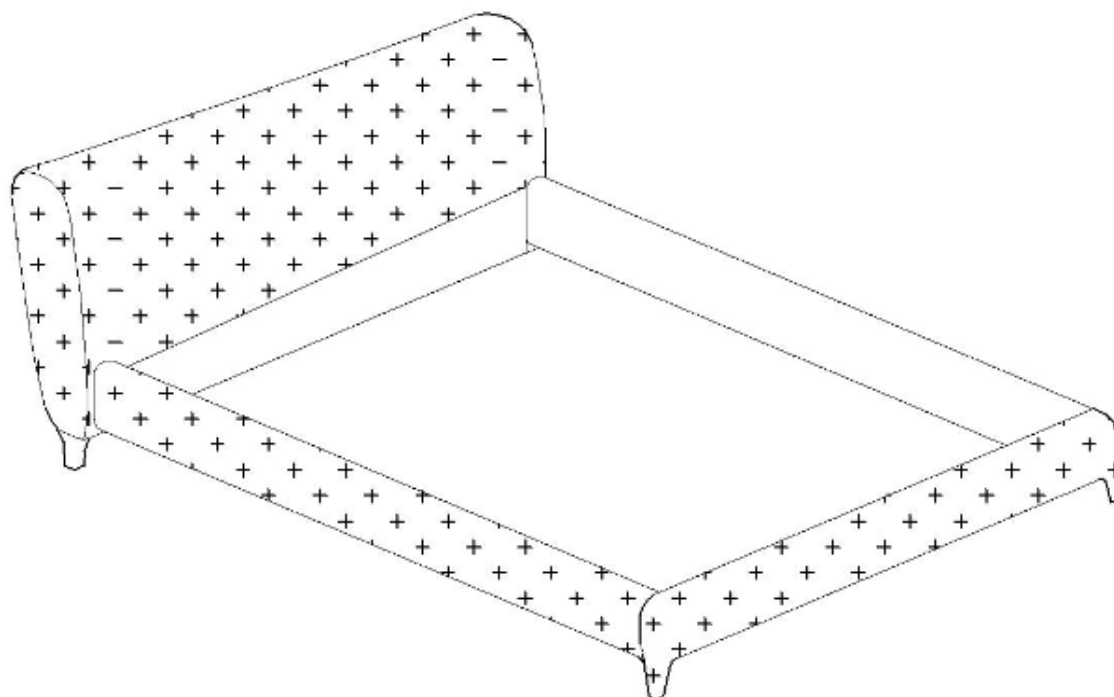
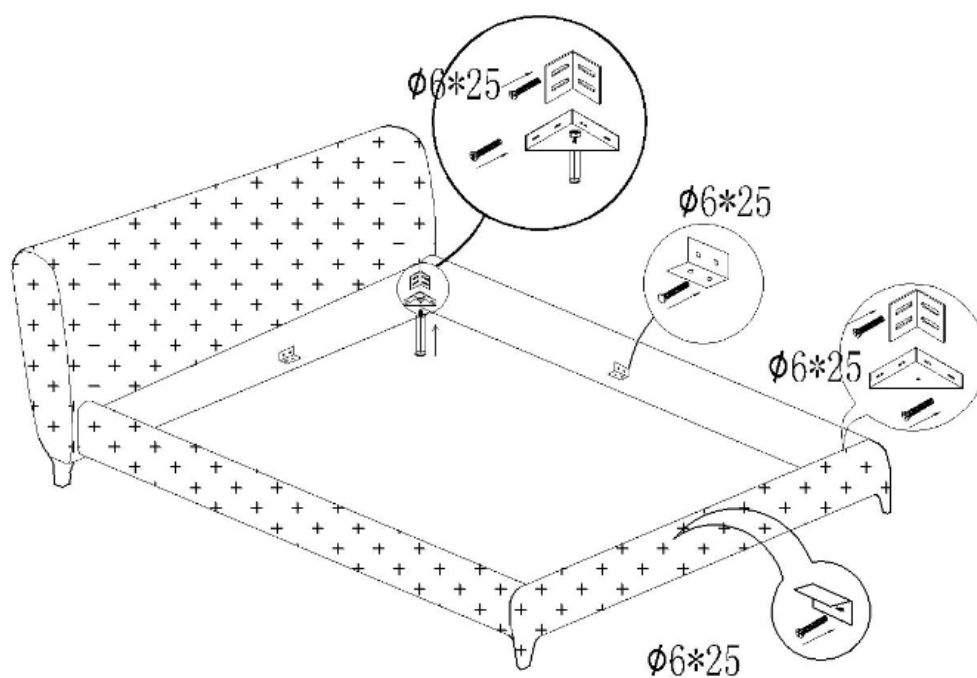
code no	name	photos	size	QTY	spare parts
1	4 holes connector		55*50	4	
2	triangle corner connector (pointing up)		177*177	4	
3	4 hole subscript		65*31	4	
4	slat feet		14cm adjustable	6	
5	big corner pad		177*177	4	
6	gasket			40	4
7	flat head screws		Ø8*25	40	4
8	nut		M8	4	

FIG.
1



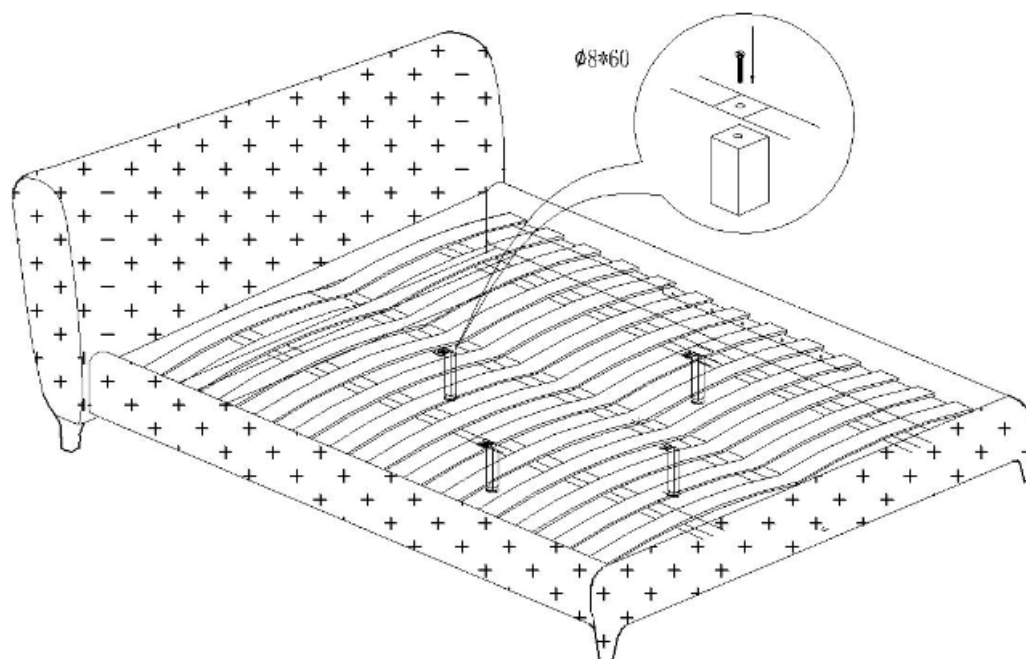
1: prepare headboard, sideboard and screw.

FIG.
2



2: install the headboard and sideboard with corner connectors.

FIG.
3



3: lock the slat feet by 8*60 flat head screws. put the bed slat on the triangle supporter .