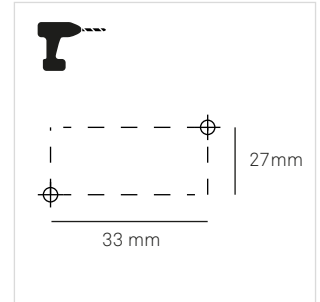


# STYLUS

PENDANT SURFACE



**1** Turn the top cap counter-clockwise to open it.

**2** Insert the LED strip into the fixture.

**3** Tighten the top cap with a screwdriver.

**4** Connect the LED strip wires to the power supply terminals (L, N, PE).

**5** Insert the LED strip into the fixture.

**6** Connect the power supply wires to the fixture terminals.

**7** Tighten the bottom cap with a screwdriver.

**8** Turn the bottom cap clockwise to close it.

**9** Turn the ON switch to the ON position.

