

FRAME

A-4051

wall light

Date	Type
Project	
Location	
Model #	Quantity
Specifier	

Description

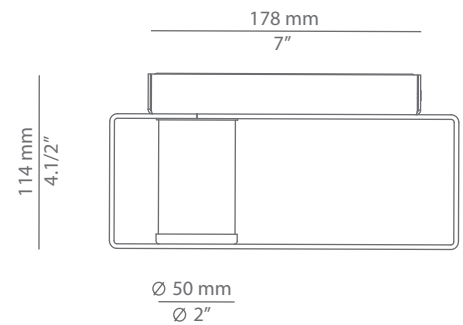
Metallic indoor wall light with satinated pyrex glass diffuser. Integrated LED providing direct and indirect light.



Pictures above might not show the specified dimensions or material. They are for illustration purposes only.

Ordering information

Product Code	Lamp	Finish	Optional
A-4051	LED 6,2W (included) F (2700K / Ang 70° / >90 CRI / 350mA) / 100V - 240V Typ* 725 lumens / Non Dimmable	<ul style="list-style-type: none"> <input type="checkbox"/> 74 WH White <input type="checkbox"/> 96 BLK ANT Black Anthracite <input type="checkbox"/> CUSTOM 	<ul style="list-style-type: none"> <input type="checkbox"/> Laser cut signage (minimum order 16 units)



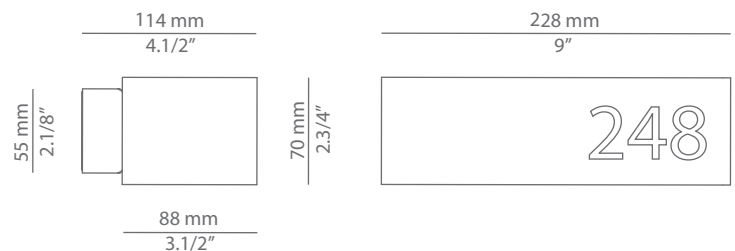
SPECIAL REQUIREMENTS

Custom finishes and versions

We offer custom RAL finishes.

Alternate lamping and sizes available for projects.

Consult our offices.



Special instructions



ESTILUZ, S.A.
Carretera d'Ogassa, s/n
17860 Sant Joan de les Abadesses
T+34 972 720 125
F+34 972 720 796

estiluz@estiluz.com
www.estiluz.com