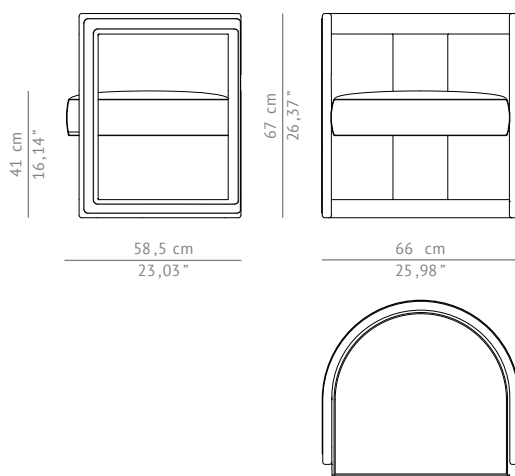




RUKAY | ARMCHAIR

“People living in the mountain” that is the name by which the RUKAY people are known. This indigenous population from Taiwan has developed a special technique for cloth-making and dyeing which makes their style unique. RUKAY’s people care for detail allowed them to create an extraordinary and vivid style which led us to design our RUKAY velvet armchair. A style mid-century modern furniture piece, this armchair’s structure was designed to bring firmness and comfort to your body. And as a mid-century modern furniture, RUKAY armchair naturally blends in a mid century, modern or contemporary home decor.



DIMENSIONS

WIDTH	66 cm 25,98"
DEPTH	58,5 cm 23,03"
HEIGHT	67 cm 26,37"
SEAT HEIGHT	41 cm 16,14"
SEAT DEPTH	51 cm 20,07"
ARMREST HEIGHT	67 cm 26,37"

MATERIALS

FABRIC	Cotton velvet
FABRIC REFERENCE	BB MOSS I - Colour 36
FABRIC NEEDED	3,5 mts 138" (Standard width 1,40mts 55")
LEGS	Fully upholstered

FABRIC / LEATHER REQUEST

COM	3,50 mts 138" (Standard width 1,40mts 55")
COL	52,33 sq ft

PACKAGING

DIMENSIONS	W 72 cm 28,34" D 62 cm 24,40" H 67 cm 33,85"
VOLUME	0,29m ³ 65,33 ft ³
WEIGHT	32kg 70,55 lbs

LEAD TIME

Production time is between 6 to 8 weeks for BRABBU collections.
Delivery time is not included.

All of our furniture can be made to measure and it is available in different finishes.
Please note that the colours and materials shown are for reference only and small variations may occur.