

viccarbe

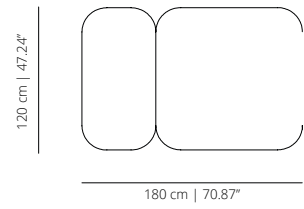
Common

Designed by Naoto Fukasawa

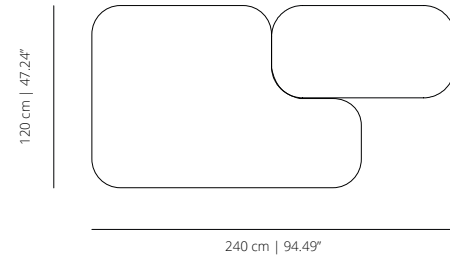
Technical info - Outdoor

COMMON SUGGESTIONS

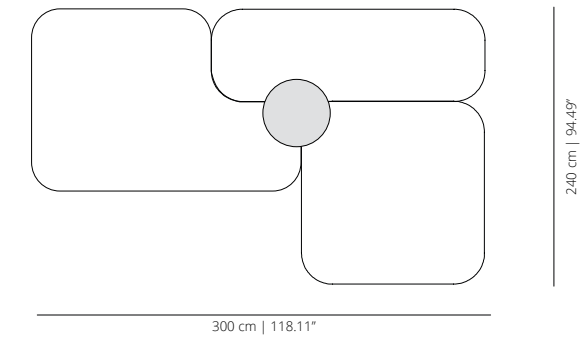
COMPOSITION 1



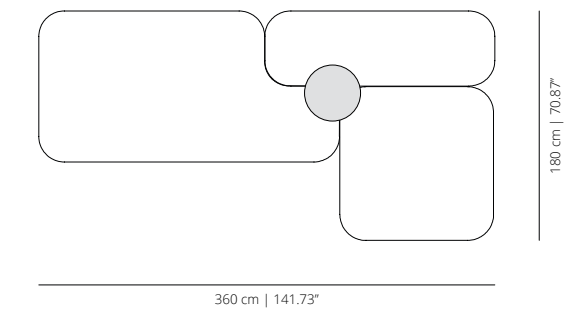
COMPOSITION 2



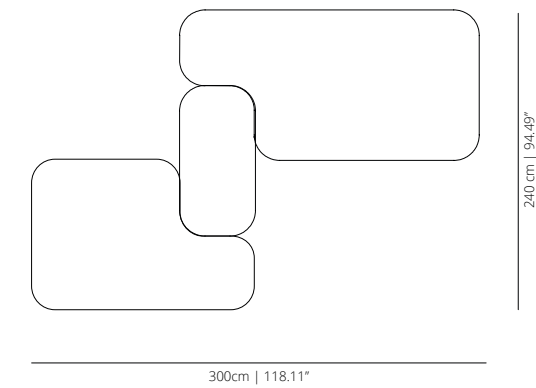
COMPOSITION 3



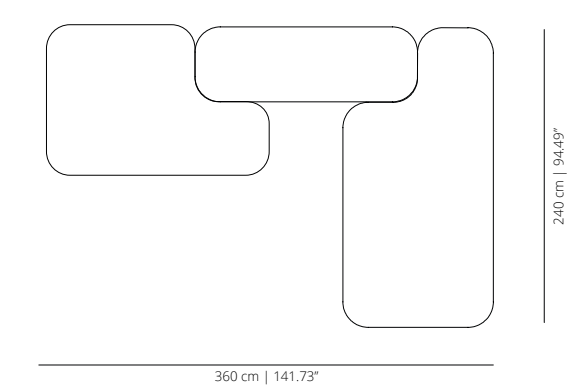
COMPOSITION 4



COMPOSITION 5



COMPOSITION 6



FINISHES

SEAT

Upholstery

Check upholstery fabrics for *Outdoor*.

LEGS

Stained



Iroko
wood

TECHNICAL INFO

Seat – Interior structure in solid wood and perforated top of microparticles low in formaldehydes with special marine protective treatment, resistant to water and humidity. We use PEFC certified wood. Covered with expanded polyurethane foam in different densities, waterproofed and upholstered with outdoor fabric.

NOTE: Outdoor cover available to protect the product from water, humidity and sunlight.

CERTIFICATIONS

ANSI BIFMA X5.4-2012 (H 39.5 cm).

Follows the outdoor regulation: UNE EN 581-2:2016

Let's talk

We want to help you find the best designs for your project. Contact us and our team will get back to you as soon as possible.

[CONTACT US](#)