

# BALLOON T-3055

suspension lamp

Date	Type
Project	
Location	
Model #	Quantity
Specifier	

## Description

Ceiling lamp providing direct and indirect light.  
Shades is made of satinated translucent polyethylene.



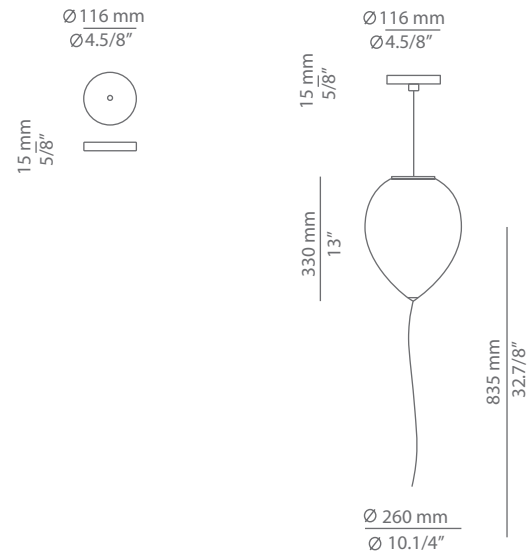
Pictures above might not show the specified dimensions or material. They are for illustration purposes only.

## Ordering information

Product Code	Lamp	Canopy	Finish
■ T-3055	LED or Fluor. up to 20W (bulb not included) E27 / 230V Dimmable when using dim. lamps	74 WH White	74 WH White

## Product includes

Code	Description
113416710	1 surface canopy for 1 single pedant
T-3055C	1 Balloon pendant



## SPECIAL REQUIREMENTS

### Custom finishes and versions

Alternate lamping and sizes available for projects.

Standard compositions bellow, other compositions available with multiple canopies. Consult our offices.

## Special instructions

---



---



---

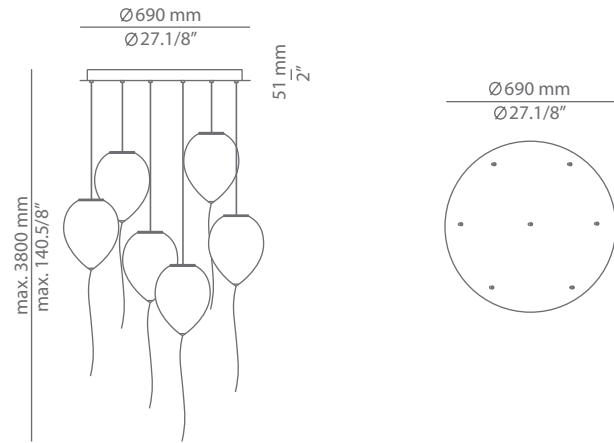
# BALLOON T-3055

suspension lamp

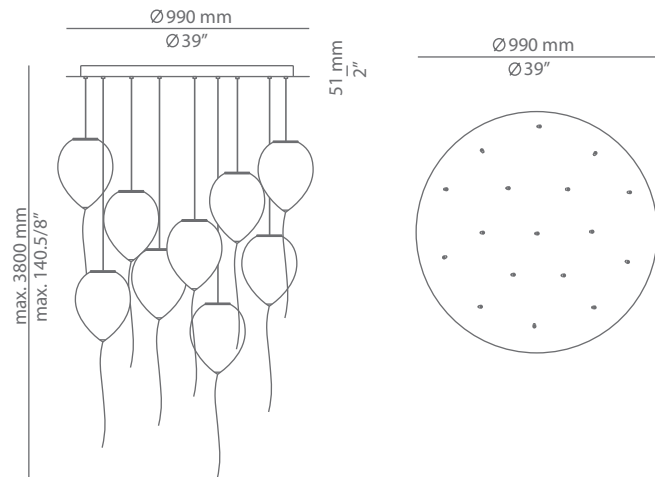
Date	Type
Project	
Location	
Model #	Quantity
Specifier	

## Many possible configurations with T-3055C

Code	Composition includes				
<div style="display: flex; align-items: center;"> <div style="width: 15px; height: 15px; background-color: #ccc; margin-right: 5px;"></div>           R70S.6 balloon         </div>	1 round canopy 113415XX4 6 units of T-3055C Add up to 1 additional Balloon				
	<table border="0" style="width: 100%;"> <tr> <td style="text-align: center;"><b>Canopy</b></td> <td style="text-align: center;"><b>Finish</b></td> </tr> <tr> <td style="display: flex; justify-content: space-between;"> <div style="display: flex; align-items: center;"> <div style="width: 15px; height: 15px; background-color: #ccc; margin-right: 5px;"></div>           26 BLK Black         </div> <div style="display: flex; align-items: center;"> <div style="width: 15px; height: 15px; background-color: #ccc; margin-right: 5px;"></div>           74 WH White         </div> </td> </tr> <tr> <td style="display: flex; justify-content: space-between;"> <div style="display: flex; align-items: center;"> <div style="width: 15px; height: 15px; background-color: #ccc; margin-right: 5px;"></div>           71 WH White         </div> </td> </tr> </table>	<b>Canopy</b>	<b>Finish</b>	<div style="display: flex; align-items: center;"> <div style="width: 15px; height: 15px; background-color: #ccc; margin-right: 5px;"></div>           26 BLK Black         </div> <div style="display: flex; align-items: center;"> <div style="width: 15px; height: 15px; background-color: #ccc; margin-right: 5px;"></div>           74 WH White         </div>	<div style="display: flex; align-items: center;"> <div style="width: 15px; height: 15px; background-color: #ccc; margin-right: 5px;"></div>           71 WH White         </div>
<b>Canopy</b>	<b>Finish</b>				
<div style="display: flex; align-items: center;"> <div style="width: 15px; height: 15px; background-color: #ccc; margin-right: 5px;"></div>           26 BLK Black         </div> <div style="display: flex; align-items: center;"> <div style="width: 15px; height: 15px; background-color: #ccc; margin-right: 5px;"></div>           74 WH White         </div>					
<div style="display: flex; align-items: center;"> <div style="width: 15px; height: 15px; background-color: #ccc; margin-right: 5px;"></div>           71 WH White         </div>					



Code	Composition includes				
<div style="display: flex; align-items: center;"> <div style="width: 15px; height: 15px; background-color: #ccc; margin-right: 5px;"></div>           R100S.9 balloon         </div>	1 round canopy 113415XX5 9 units of T-3055C Add up to 8 additional Balloon				
	<table border="0" style="width: 100%;"> <tr> <td style="text-align: center;"><b>Canopy</b></td> <td style="text-align: center;"><b>Finish</b></td> </tr> <tr> <td style="display: flex; justify-content: space-between;"> <div style="display: flex; align-items: center;"> <div style="width: 15px; height: 15px; background-color: #ccc; margin-right: 5px;"></div>           26 BLK Black         </div> <div style="display: flex; align-items: center;"> <div style="width: 15px; height: 15px; background-color: #ccc; margin-right: 5px;"></div>           74 WH White         </div> </td> </tr> <tr> <td style="display: flex; justify-content: space-between;"> <div style="display: flex; align-items: center;"> <div style="width: 15px; height: 15px; background-color: #ccc; margin-right: 5px;"></div>           71 WH White         </div> </td> </tr> </table>	<b>Canopy</b>	<b>Finish</b>	<div style="display: flex; align-items: center;"> <div style="width: 15px; height: 15px; background-color: #ccc; margin-right: 5px;"></div>           26 BLK Black         </div> <div style="display: flex; align-items: center;"> <div style="width: 15px; height: 15px; background-color: #ccc; margin-right: 5px;"></div>           74 WH White         </div>	<div style="display: flex; align-items: center;"> <div style="width: 15px; height: 15px; background-color: #ccc; margin-right: 5px;"></div>           71 WH White         </div>
<b>Canopy</b>	<b>Finish</b>				
<div style="display: flex; align-items: center;"> <div style="width: 15px; height: 15px; background-color: #ccc; margin-right: 5px;"></div>           26 BLK Black         </div> <div style="display: flex; align-items: center;"> <div style="width: 15px; height: 15px; background-color: #ccc; margin-right: 5px;"></div>           74 WH White         </div>					
<div style="display: flex; align-items: center;"> <div style="width: 15px; height: 15px; background-color: #ccc; margin-right: 5px;"></div>           71 WH White         </div>					



Code	Composition includes				
<div style="display: flex; align-items: center;"> <div style="width: 15px; height: 15px; background-color: #ccc; margin-right: 5px;"></div>           M5 balloon         </div>	1 multipoint canopy 113415XX0 5 units of T-3055C 5 ceiling holders Add up to 2 additional Balloon				
	<table border="0" style="width: 100%;"> <tr> <td style="text-align: center;"><b>Canopy</b></td> <td style="text-align: center;"><b>Finish</b></td> </tr> <tr> <td style="display: flex; justify-content: space-between;"> <div style="display: flex; align-items: center;"> <div style="width: 15px; height: 15px; background-color: #ccc; margin-right: 5px;"></div>           26 BLK Black         </div> <div style="display: flex; align-items: center;"> <div style="width: 15px; height: 15px; background-color: #ccc; margin-right: 5px;"></div>           74 WH White         </div> </td> </tr> <tr> <td style="display: flex; justify-content: space-between;"> <div style="display: flex; align-items: center;"> <div style="width: 15px; height: 15px; background-color: #ccc; margin-right: 5px;"></div>           71 WH White         </div> </td> </tr> </table>	<b>Canopy</b>	<b>Finish</b>	<div style="display: flex; align-items: center;"> <div style="width: 15px; height: 15px; background-color: #ccc; margin-right: 5px;"></div>           26 BLK Black         </div> <div style="display: flex; align-items: center;"> <div style="width: 15px; height: 15px; background-color: #ccc; margin-right: 5px;"></div>           74 WH White         </div>	<div style="display: flex; align-items: center;"> <div style="width: 15px; height: 15px; background-color: #ccc; margin-right: 5px;"></div>           71 WH White         </div>
<b>Canopy</b>	<b>Finish</b>				
<div style="display: flex; align-items: center;"> <div style="width: 15px; height: 15px; background-color: #ccc; margin-right: 5px;"></div>           26 BLK Black         </div> <div style="display: flex; align-items: center;"> <div style="width: 15px; height: 15px; background-color: #ccc; margin-right: 5px;"></div>           74 WH White         </div>					
<div style="display: flex; align-items: center;"> <div style="width: 15px; height: 15px; background-color: #ccc; margin-right: 5px;"></div>           71 WH White         </div>					

