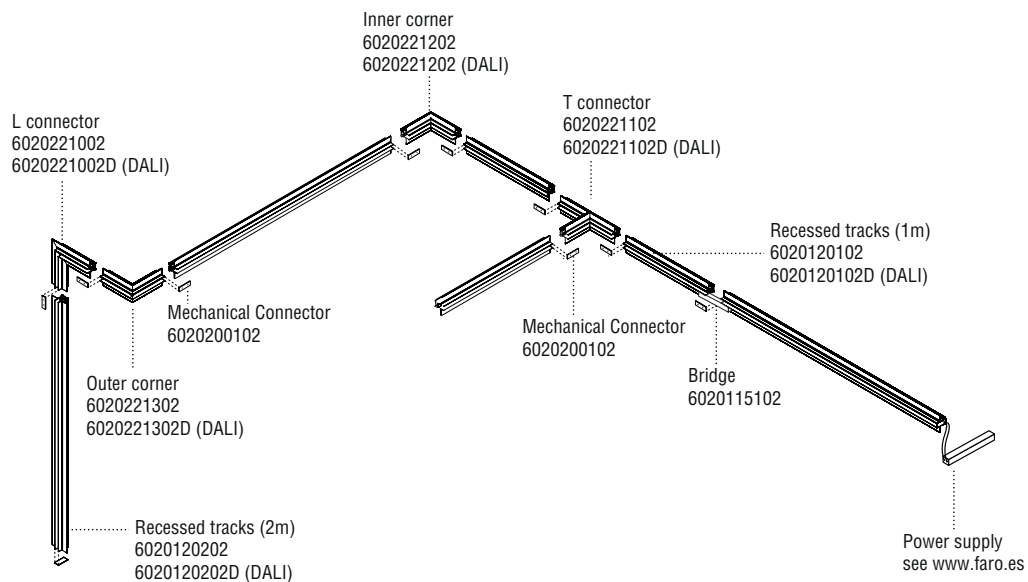
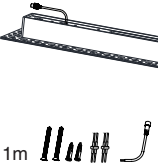
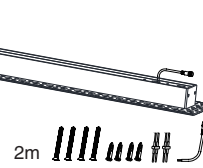




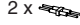
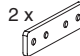

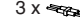

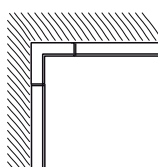
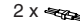
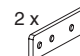
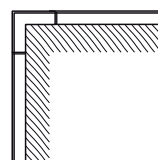




Recessed tracks
1000 / 2000 mm

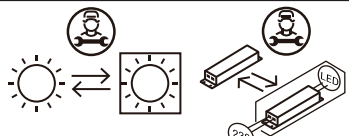



P.E. CIRCUIT TESTED
up to 50m and 200W

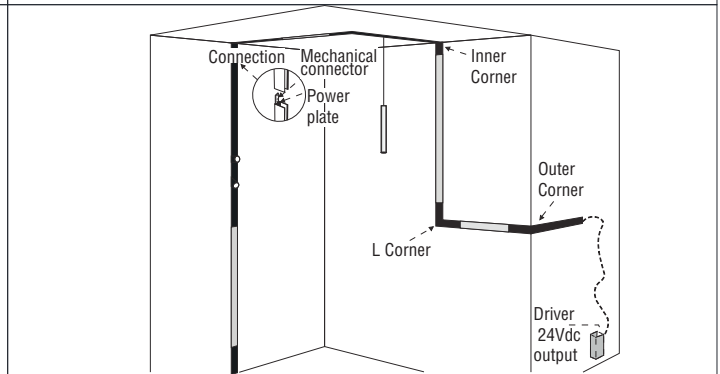
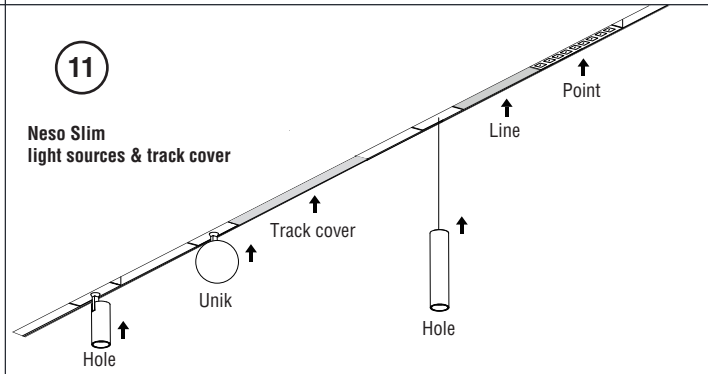
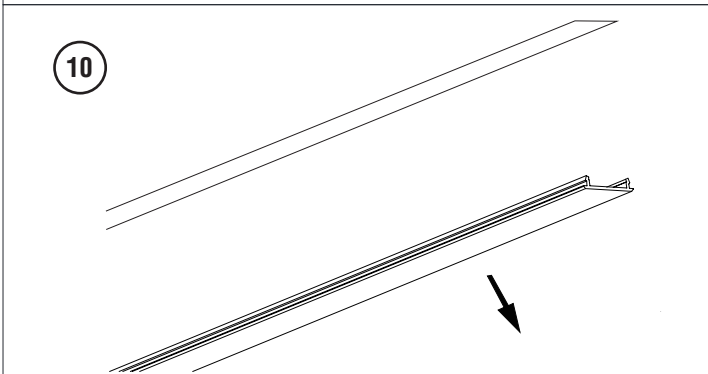
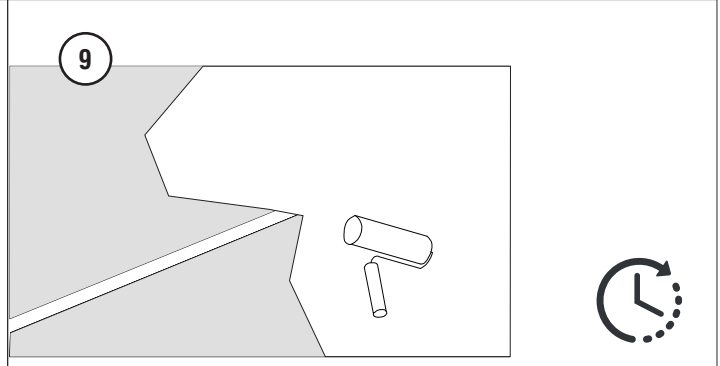
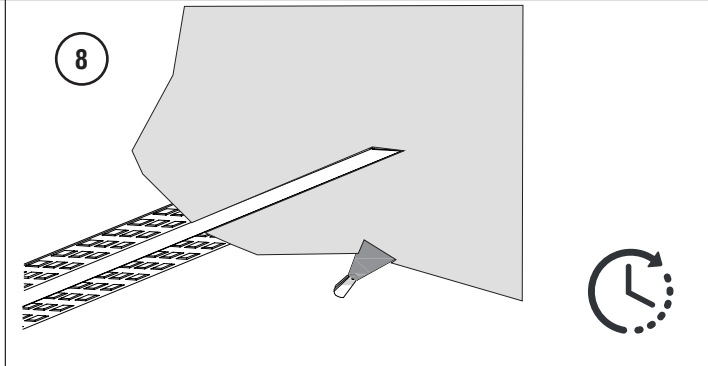
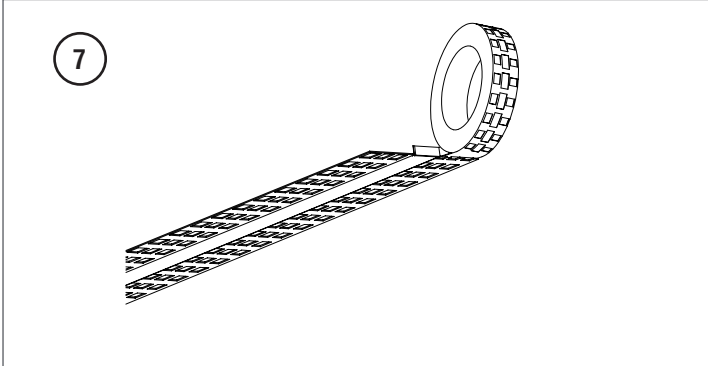
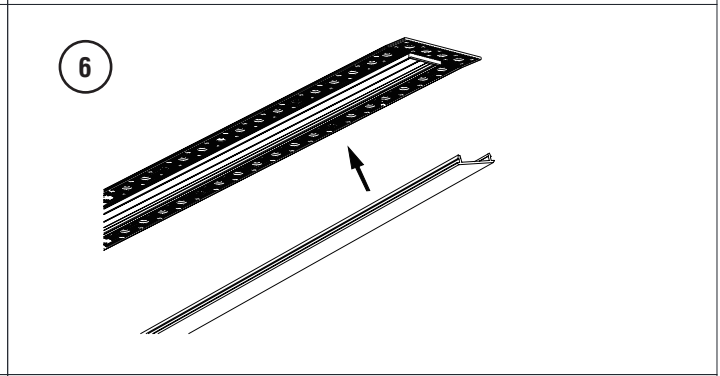
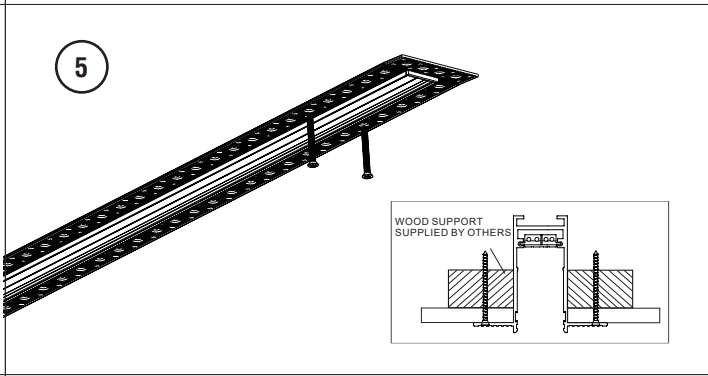
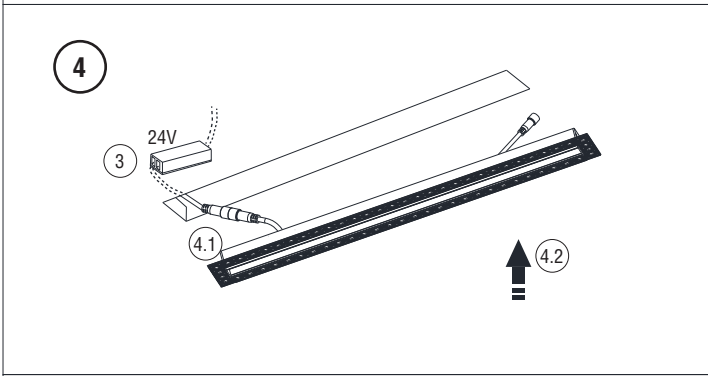
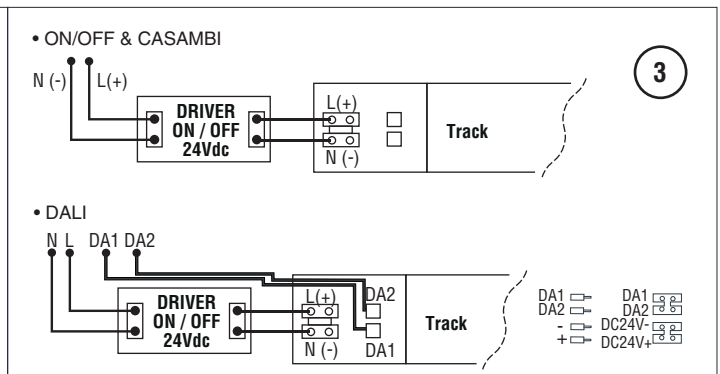
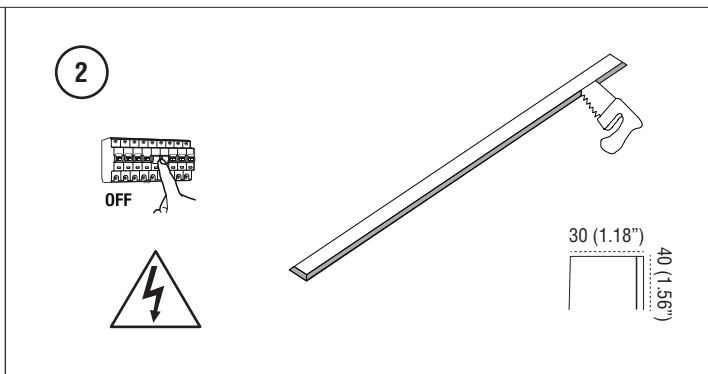
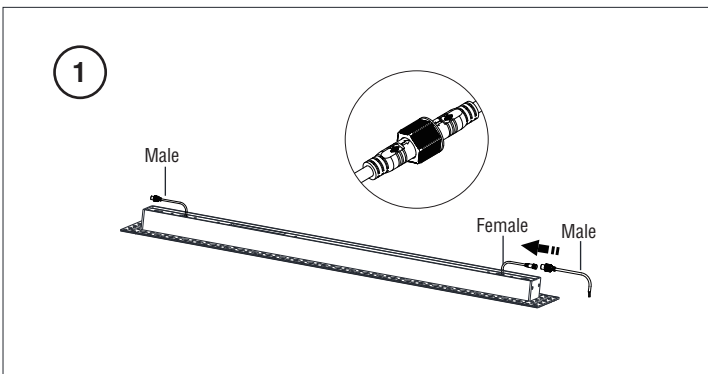
Content per each part
note: each part is sold separately

- Recessed tracks
 - 1m 
 - 2m 
- Track cover
 - 1 x 
- Bridge
 - 1 x 
- Mechanical connector
 - 1 x 
- L corner
 - 1 x 
 - 2 x 
 - 2 x 
- T connector
 - 1 x 
 - 3 x 
 - 3 x 
- Inner corner
 - 1 x 
 - 2 x 
 - 2 x 
- Outer corner
 - 1 x 
 - 2 x 
 - 2 x 

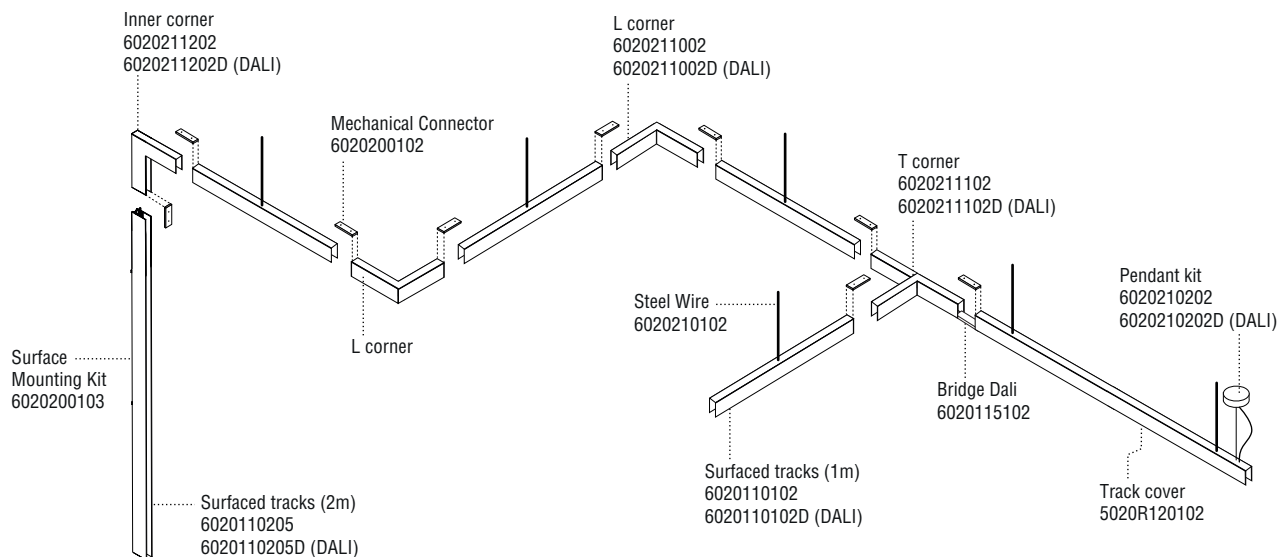
Inf

| | | | | | | | | | | | |
|--|----------------|----------------|---|--|--|---|--|--|--|--|--|
| Lighting Sources see in www.faro.es | | | Cut out for track 1m: L: 1000 + 6,3mm / 1,4" W: 30mm / 1,18" D: 40mm / 1,56" | | | Cut out for track 2m: L: 2000 + 6,3mm / 1,4" W: 30mm / 1,18" D: 40mm / 1,56" | | | This product contains a light source of energy efficiency class E, F or G. See information in www.faro.es . | | |
| Neso Slim Point | Neso Slim Line | Neso Slim Hole |  | | | | | | | | |
| Neso Slim Unik | Neso Slim Top | |  | | | | | | | | |

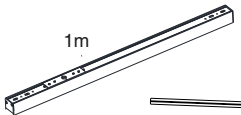
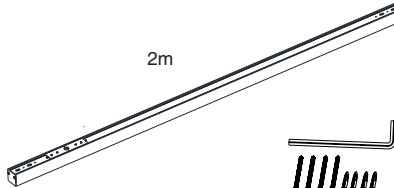


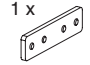

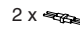

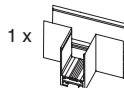
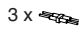

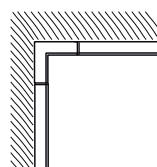
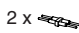
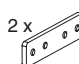
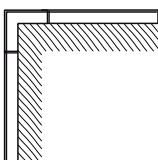

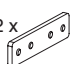

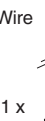

When the luminaire reaches its end of life, take it to the nearest clean point.
Recicle la luminaria en el punto verde cuando ésta llegue al final de su vida útil.



Surface & Pendant tracks
1000 / 2000 mm



Content per each part
note: each part is sold separately

- Tracks
 - 1m 
 - 2m 
- Track cover
1 x 
- Bridge
1 x 
- Mechanical connector
1 x 
- L corner
1 x 
- 2 x 
- 2 x 
- T connector
1 x 
- 3 x 
- 3 x 
- Inner corner
1 x 
- 2 x 
- 2 x 
- Outer corner
1 x 
- 2 x 
- 2 x 
- Pendant kit with driver box
1 x 
- Steel Wire
1 x 
- Surface mounting kit


P.E. CIRCUIT TESTED
up to 50m and 200W

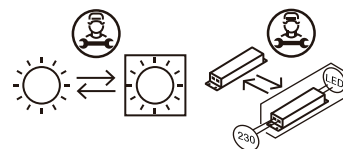
Power supply
see www.faro.es

Inf

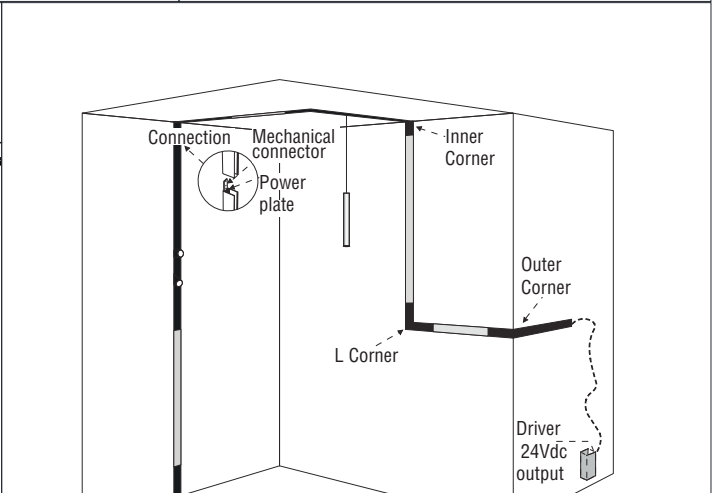
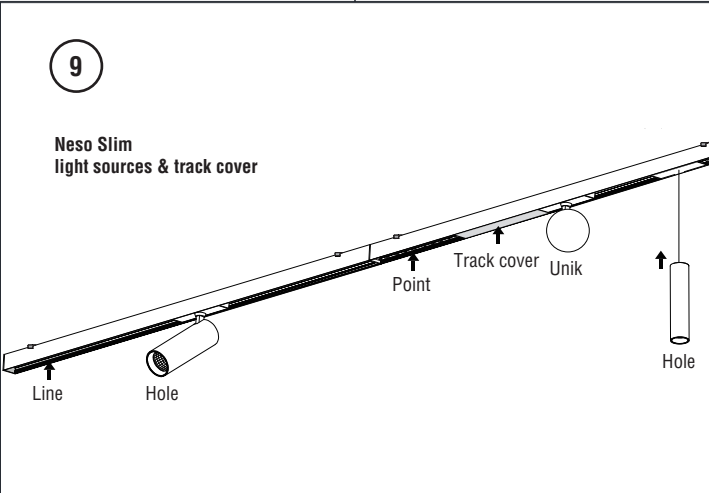
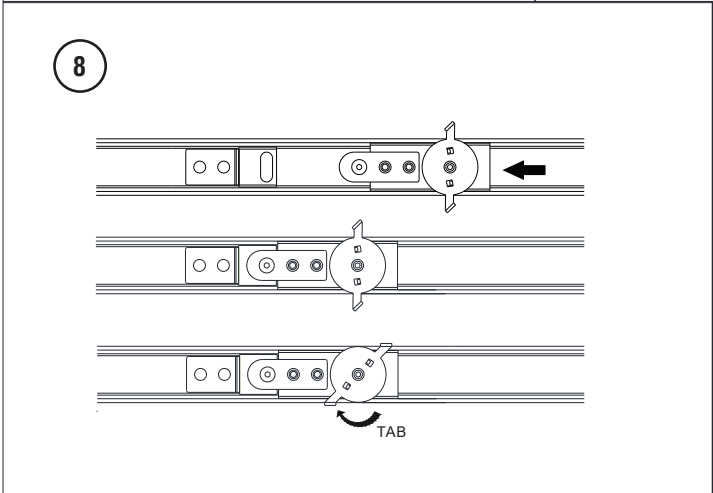
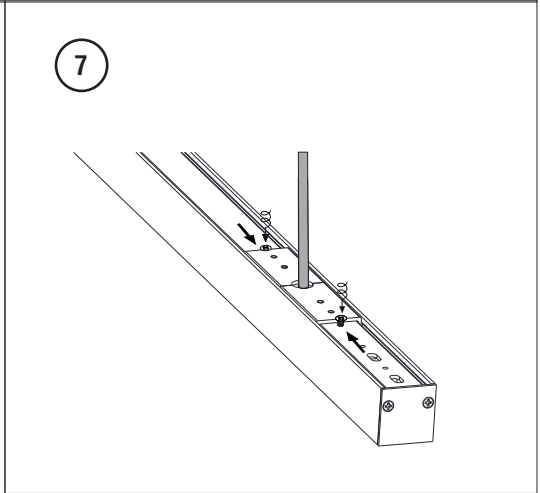
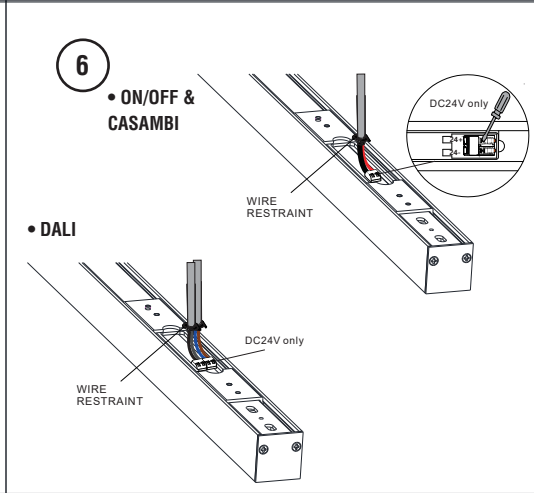
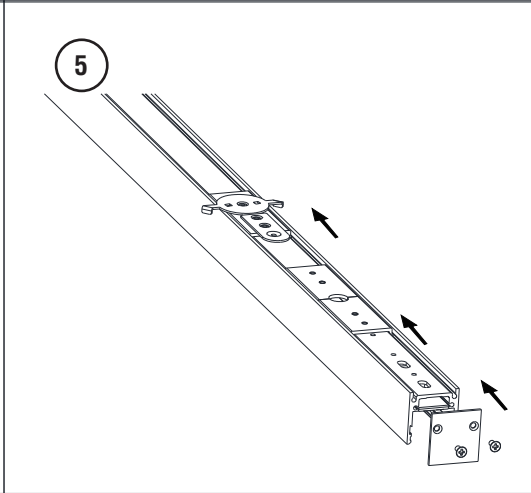
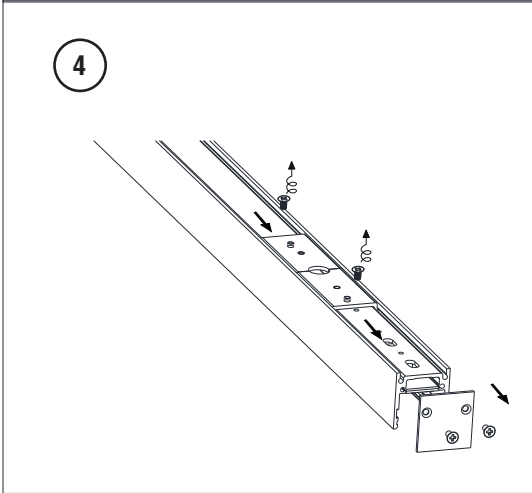
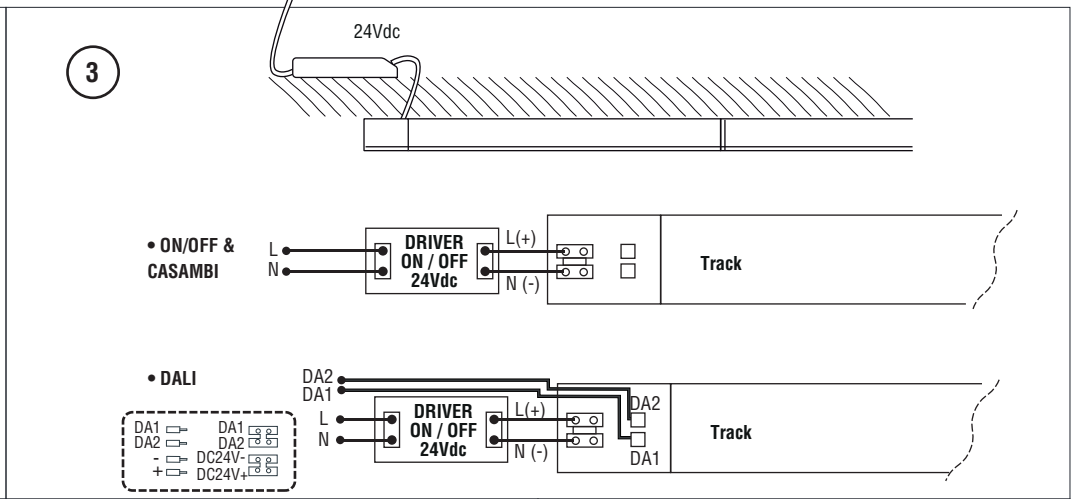
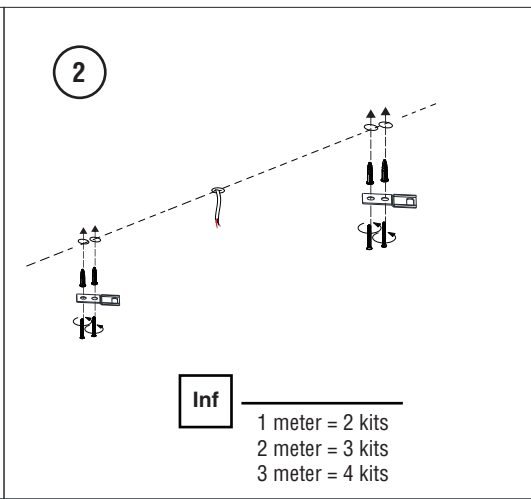
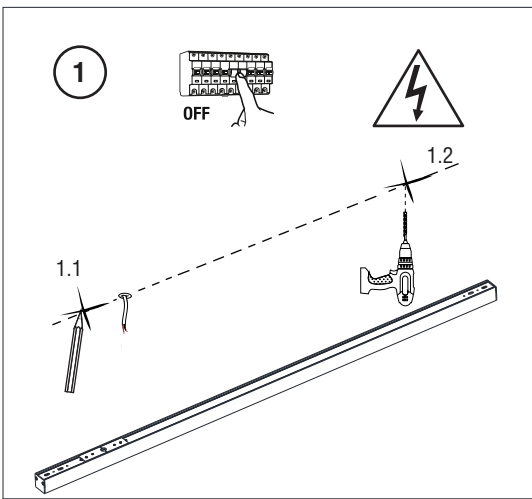
Lighting Sources see in www.faro.es

Neso Slim Point Neso Slim Line Neso Slim Hole
Neso Slim Unik Neso Slim Top

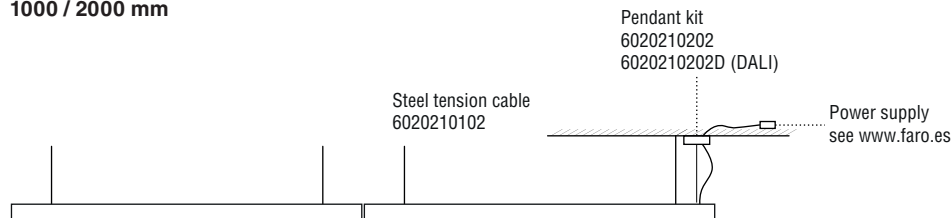
This product contains a light source of energy efficiency class E, F or G. See information in www.faro.es.



When the luminaire reaches its end of life, take it to the nearest clean point.
Recicle la luminaria en el punto verde cuando ésta llegue al final de su vida útil.

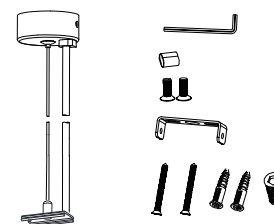


**Pendant tracks
1000 / 2000 mm**

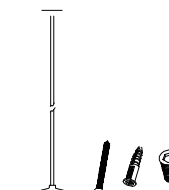


**P. E. CIRCUIT TESTED
up to 50m and 200W**

Pendant kit Content



Steel tension cable Content



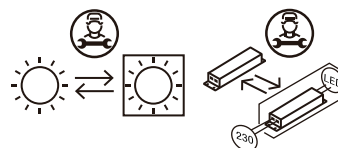
Inf _____
1 meter = 1 pc
2 meter = 1-2pcs
3 meter = 2-3 pcs

Inf _____

Lighting Sources see in www.faro.es

Neso Slim Point Neso Slim Line Neso Slim Hole
Neso Slim Unik Neso Slim Top

This product contains a light source of energy efficiency class E, F or G. See information in www.faro.es.



When the luminaire reaches its end of life, take it to the nearest clean point.
Recicle la luminaria en el punto verde cuando ésta llegue al final de su vida útil.

