

TECHNICAL CHARACTERISTICS

ASUPGRE

Supra

Armchair swivel adjustable

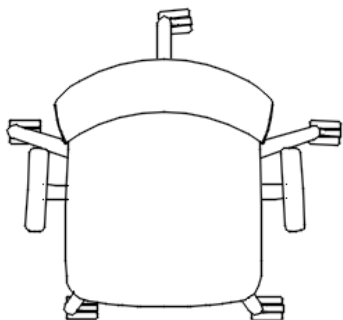
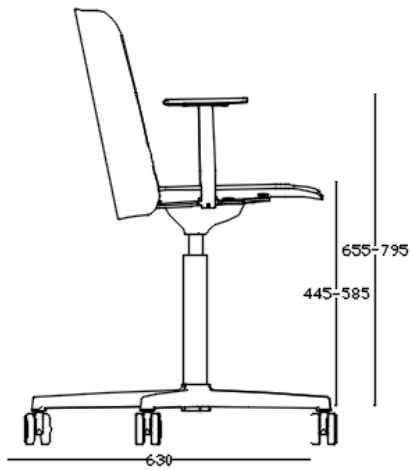
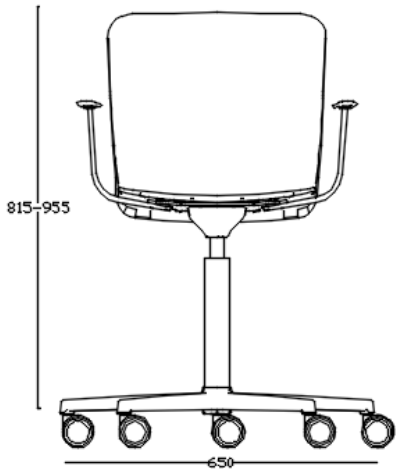
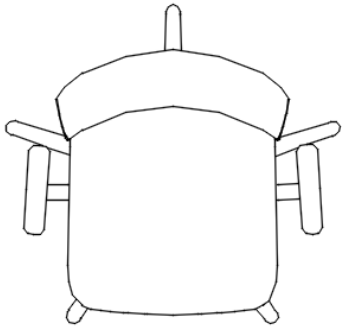
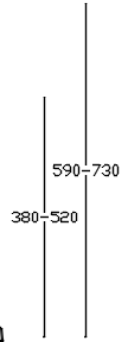
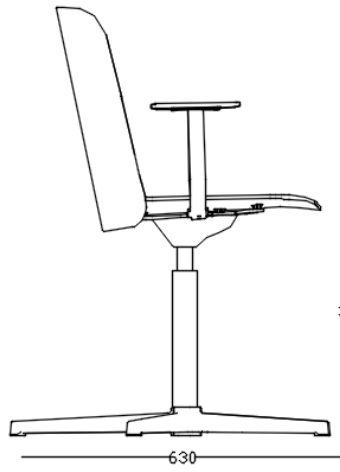
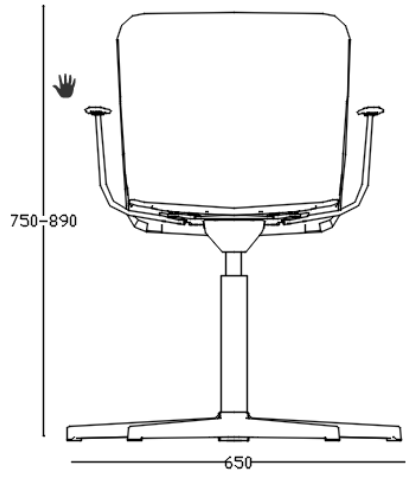
The Supra chair, an elegant shell with character, in combination with different structures, is a perfect product for diverse spaces and uses.

Inspired on the structural beams constructive principles Supra achieves the feeling of both independent seat and back parts in a unique solid piece.

DESIGNED BY NOTE DESIGN STUDIO



ondarreta



ondarreta

DIMENSIONS

65 cm x 63 cm x 75-89 cm x 38-52 cm x 59-73 cm [width x depth x minimum-maximum height x minimum-maximum seat height x minimum-maximum armrest height]

Version with castors:

65 cm x 63 cm x 81.5-95.5 cm x 44.5-58.5 cm x 65.5-79.5 cm [width x depth x minimum-maximum height x minimum-maximum seat height x minimum-maximum armrest height]

WEIGHT

9 kg

PACKAGING

One piece per box. Package Measurements: 70 cm x 67 cm x 100 cm

Disassembled

(80 cm x 60 cm x 70 cm)

ACCESSORIES

Castors

Felt Glides

ORIGIN

100% Made in Europe

DESIGN

Note Design Studio



COMPONENTS

FRAME

Material

Sandblasted aluminum injection base, mounting plate, and lever. Steel column with a diameter of 50 mm with adjustable height gas in steel.

Finish

Epoxy in selected colors

SHELL AND ARMRESTS

Special Textured Raw Polypropylene

Special raw copolymer translucent textured polypropylene with matt finish. Very good mechanical properties, translucency and lightness.

Technical Features:

Density (per ISO 1183): 900 kg/m³;

Yield stress (per ISO 527-1/-2): 23 N/mm²;

Flexural modulus (per ISO 178): 1100 N/mm² (23°C)

Finish

Matt textured polypropylene, fully upholstered, or seat upholstered



UPHOLSTERY

Fully Upholstered

Exclusive and unique upholstery system that allows the fabric a perfect adherence to the shell (both seat and back), maintaining the own chair's shape. Medium density polyether stuffing foam.

Seat Upholstered

Exclusive and unique upholstery system that allows the fabric a perfect adherence to the seat, maintaining the own chair's shape. Medium density polyether stuffing foam.



METAL FINISHES

EPOXIES

Powder coating formulated with polyester resins, exhibiting good mechanical and chemical properties, maximum outdoor resistance, and free of harmful compounds (TGIC). Electrostatic application and oven curing at 200°C.

Technical Features:

Film thickness (per ISO 2360): between 60 and 90 µm; Grid adherence (per ISO 2409): Grade 0 (maximum adherence)

UPHOLSTERY REQUIREMENTS

Upholstered Seat: 55 cm

Fully Upholstered (seat + backrest): 120 cm

