

A-3730

493037301

Metallic wall lamp with acrylic diffuser and integrated LED providing direct or indirect light. It can be mounted facing up or facing down.

Aplique metálico con difusor acrílico y LED integrado que proporciona luz directa o indirecta. Se puede montar con la luz hacia arriba o hacia abajo.



Warning

PRODUCT IS TO BE INSTALLED BY A QUALIFIED ELECTRICIAN ONLY
LE PRODUIT DOIT ÊTRE INSTALLÉ PAR UN ÉLECTRICIEN QUALIFIÉ UNIQUEMENT
EL PRODUCTO DEBE SER INSTALADO SOLO POR UN ELECTRICISTA CUALIFICADO

WE RECOMMEND TO READ THE INSTRUCTIONS ENTIRELY BEFORE BEGINNING THE INSTALLATION
PLEASE SAVE THE INSTRUCTIONS FOR FUTURE REFERENCE

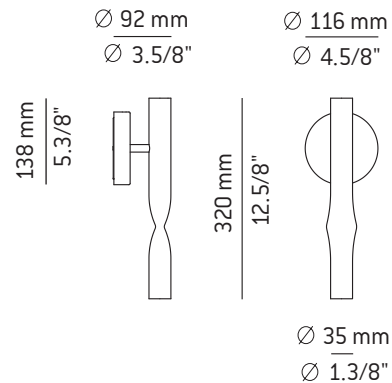
- * Make sure the power has been disconnected before installing the fixture.
- * Lighting fixtures should be installed only by qualified personnel.
- * For indoor use only.
- * Do not use alcohol or solvents to clean the lamp
- * For your convenience, assembly by two people is recommended.

**This product contains a light source of energy efficiency class F.
The light source of this luminaire is not replaceable.
Once the light source's lifecycle ends, you may contact the manufacturer.
230V/P.F Tends to 1**

LE RECOMENDAMOS LEA LAS INSTRUCCIONES ANTES DE PROCEDER A LA INSTALACIÓN
GUARDE LAS INSTRUCCIONES PARA FUTURAS REFERENCIAS

- * Asegúrese de que la corriente está desconectada antes de conectar el aparato.
- * El montaje de luminarias debe ser efectuado solamente por personal técnico.
- * Únicamente para uso en interiores.
- * Para limpieza no utilizar alcohol ni disolventes
- * Recomendamos la intervención de 2 personas para el montaje de la lámpara.

**Este producto contiene una fuente luminosa de la clase de eficiencia energética F. La fuente de luz de esta luminaria no es reemplazable.
Cuando la fuente de luz alcance el final de su vida, debe ponerse en contacto con el fabricante para su reparación. 230V/FP Tiende a 1**



UL 1598 ELECTRICAL INSTRUCTIONS FOR FLUSHMOUNTS, WALL SCONCES AND PENDANTS

SAVE THESE INSTRUCTIONS. MIN 90C SUPPLY CONDUCTORS. CAUTION-RISK OF FIRE. USE STATED WATT OR SMALLER. CAUTION-RISK OF SHOCK. DISCONNECT POWER BEFORE SERVICING. TO REDUCE THE RISK OF A BURN DURING RELAMPING, ALLOW THE BULB TO COOL DOWN. SUITABLE FOR DAMP LOCATION. THIS PRODUCT MUST BE INSTALLED IN ACCORDANCE WITH THE APPLICABLE INSTALLATION CODE BY A PERSON FAMILIAR WITH THE CONSTRUCTION AND OPERATION OF THE PRODUCT AND THE HAZARD INVOLVED.

WARNING: ALL WIRES AND WIRE NUTS USED IN THE INSTALLATION MUST BE RATED 195F (90°C). FOR INDOOR USE ONLY. THESE PRODUCT MUST BE INSTALLED BY A QUALIFIED ELECTRICIAN.

Assembly instructions / Instrucciones

- 1 - Unscrew the upper screw (A) and separate the canopy (B) from the mounting bracket (C).
Figure 1.

- 1 - Desenroscar el tornillo superior (A) del tapapared (B) y liberar la sujeción (C).
Figura 1.

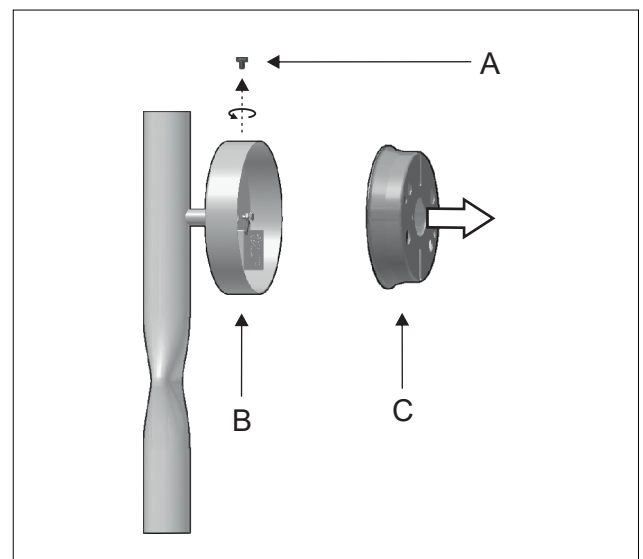


Figure 1

2A - WITHOUT JUNCTION BOX (INTERNATIONAL)

Insert the power cables (D) through the central hole of the mounting bracket (C) and fix it to the wall. Connect the electrical wires.

Figure 2A.

2A - SIN CAJA DE CONEXIONES (INTERNACIONAL)

Introducir los cables de la red (D) por el agujero central de la sujeción (C) y fijarla a la pared. Realizar las conexiones eléctricas.

Figura 2A.

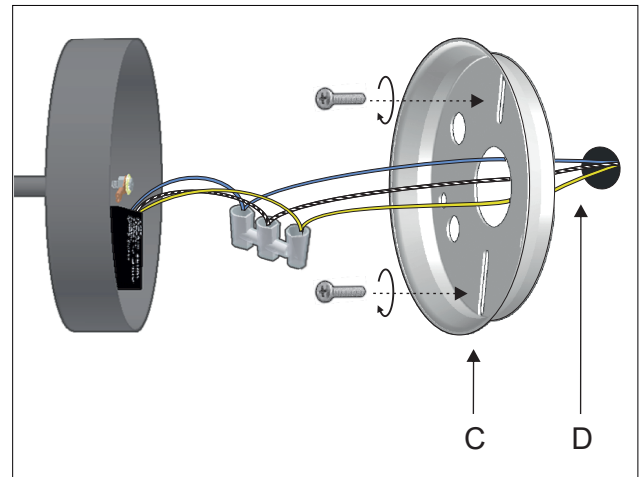


Figure 2A

2B - WITH JUNCTION BOX (USA)

Insert the electrical wires (E) through the central hole of the mounting bracket (C) and make the connections inside of the junction box (F). Fix the mounting bracket to the junction box.

Figure 2B.

2B - CON CAJA DE CONEXIONES (USA)

Pasar los cables de eléctricos (E) por el agujero central de la sujeción (C) y realizar las conexiones dentro de la caja de conexiones (F). Fijar la sujeción a la caja de conexiones.

Figura 2B.

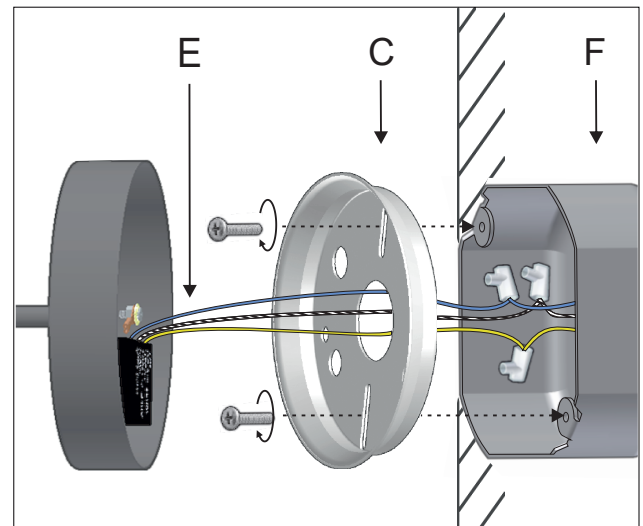


Figure 2B

3 - Attach the canopy (B) back to the mounting bracket (C) and fix it with the screw (A) that was previously removed.

Figure 3.

3 - Volver a colocar el tapapared (B) en la sujeción (C) y fijarla con el tornillo (A) liberado anteriormente.

Figura 3.

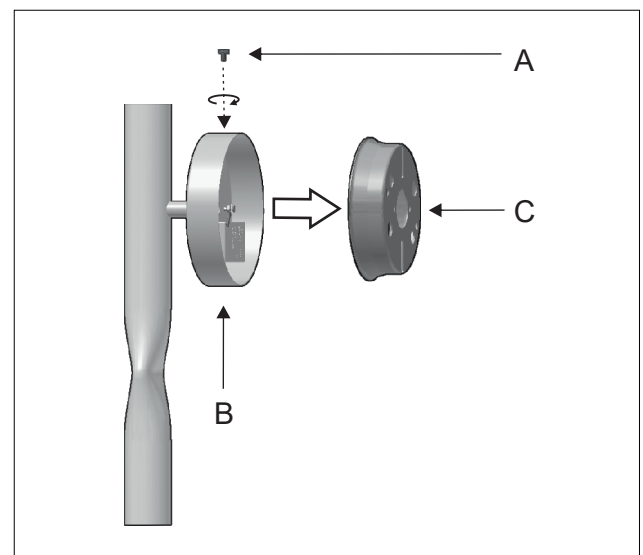


Figure 3