



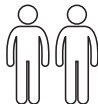
Kave® Cares



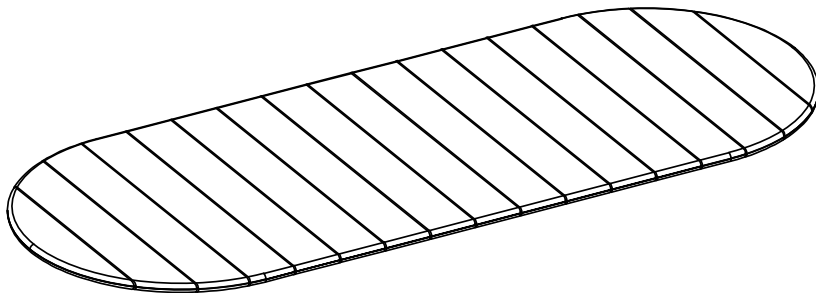
15 min



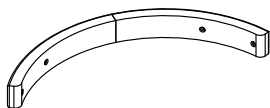
x1



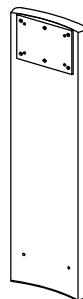
x2



A x1



B x2



C x4



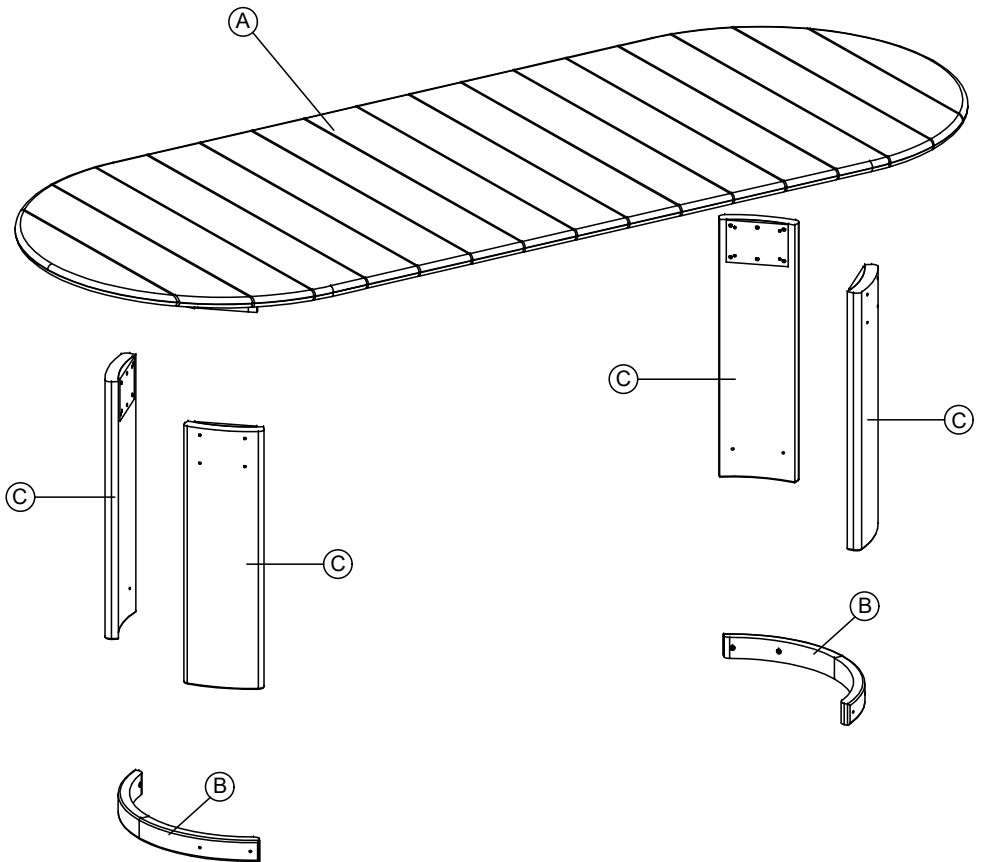
D x16
M6x70mm



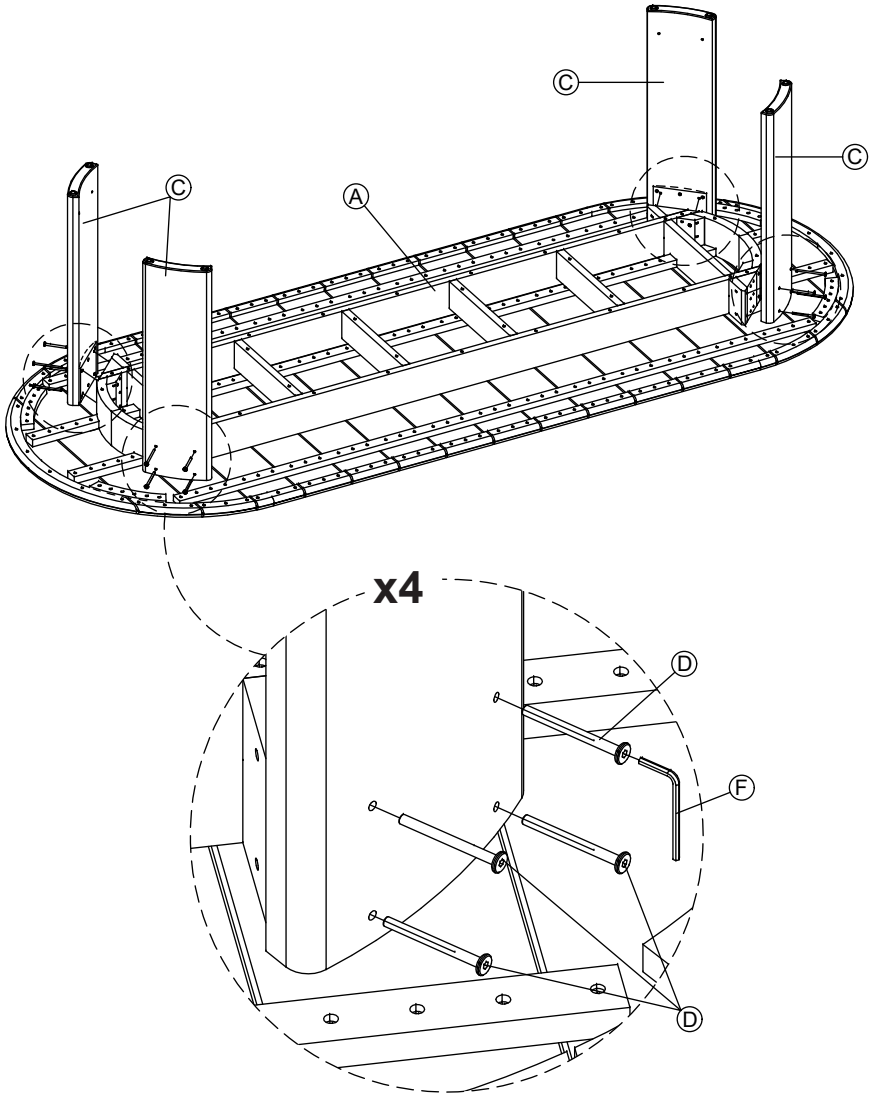
E x8
M6x50mm



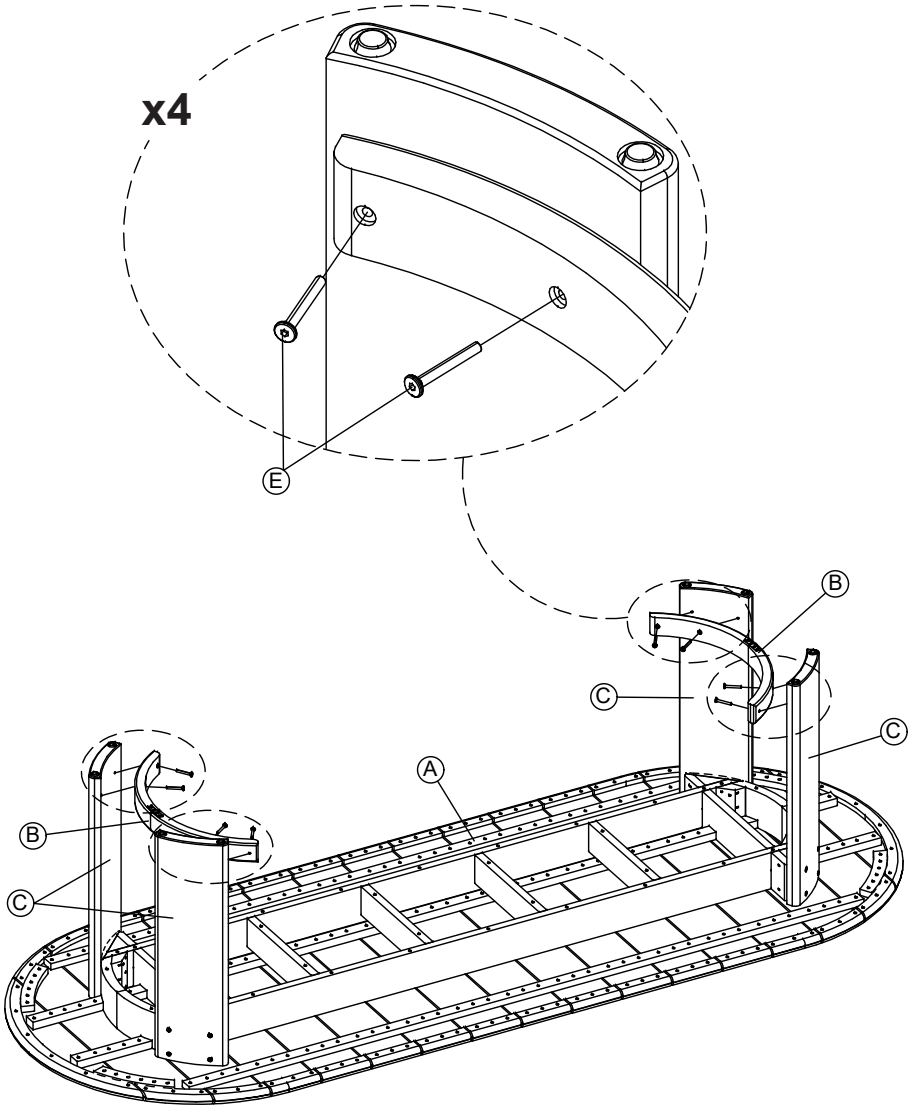
F x1



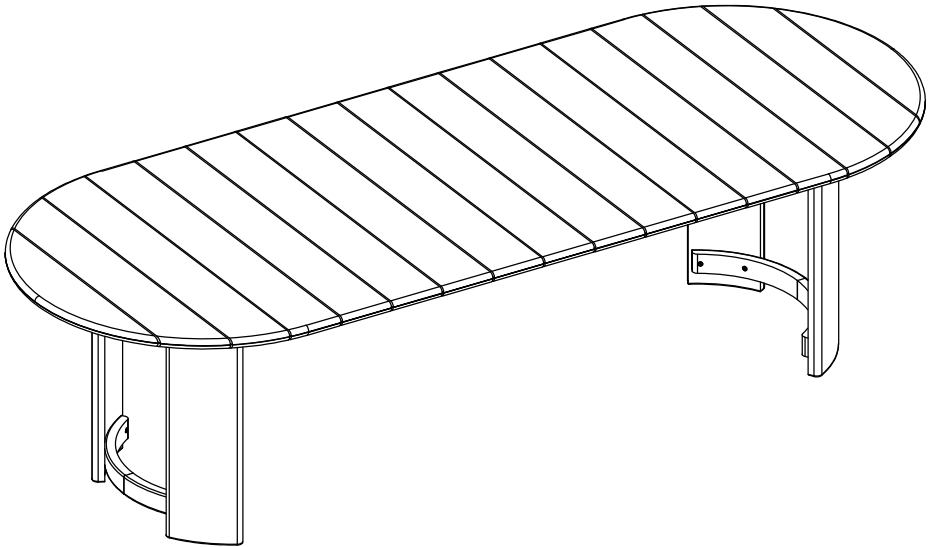
1



2



3





THAT'S ALL FOLKS

Share your style!

#KaveHome

