

viccarbe

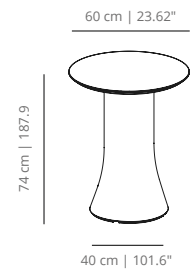
Cambio

Designed by Victor Carrasco

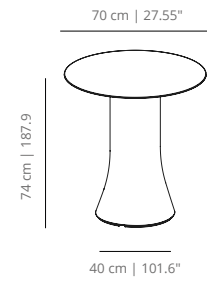
Technical info - Outdoor

V01

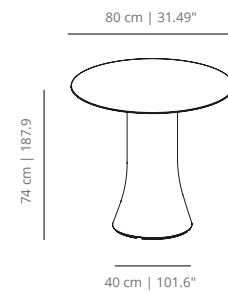
CAD60CNEX
table round 60 | 23⁵/₈



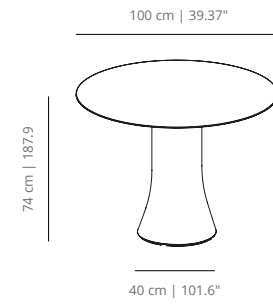
CAD70CNEX
table round 70 | 27⁶/₁₆



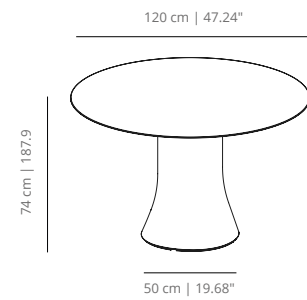
CAD80CNEX
table round 80



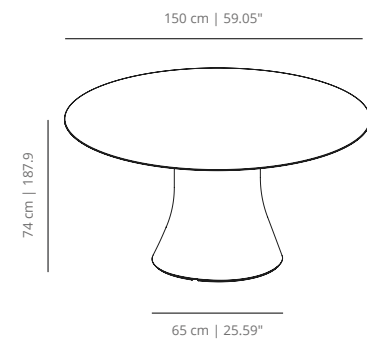
CAD100CNEX
table round 100 | 39³/₈



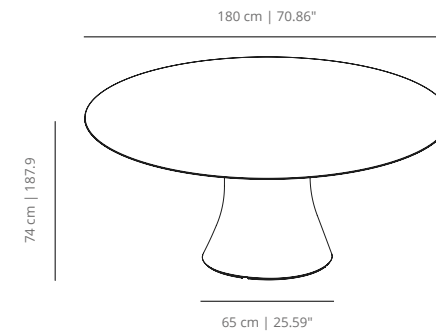
CAD120CNEX
table round 120 | 47¹/₄



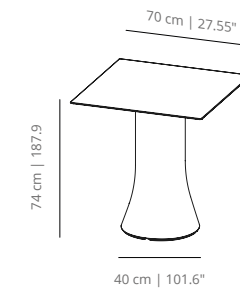
CAD150CNEX
table round 150 | 59¹/₁₆



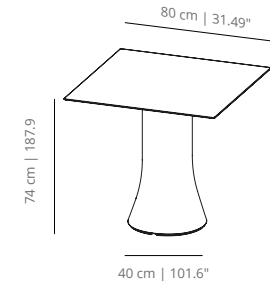
CAD180CNEX
table round 180 | 70⁵/₆₄



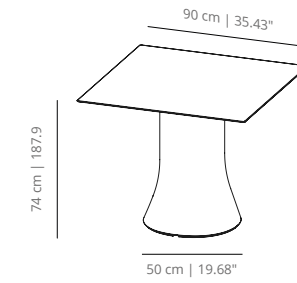
CAC70CNEX
table 7070 | 27⁹/₁₆ x 27⁹/₁₆



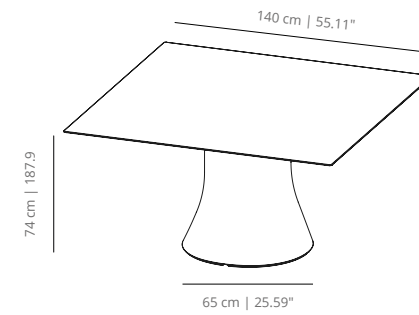
CAC80CNEX
table 80x80 | 31¹/₂₀ x 31¹/₂₀



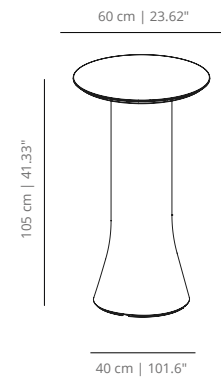
CAC90CNEX
table 90x90 | 35⁷/₁₆ x 35⁷/₁₆



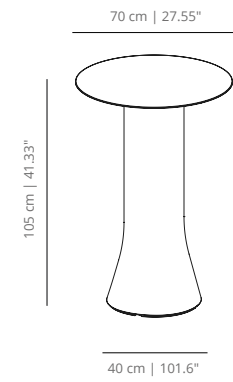
CAC140CNEX
table 140x140 | 55¹/₈ x 55¹/₈



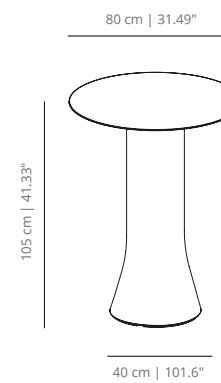
CAD60HEX
table round 60 | 26⁵/₈"



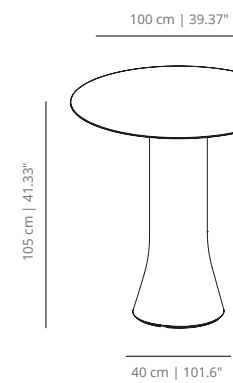
CAD70HEX
table round 70 | 27⁹/₁₆"



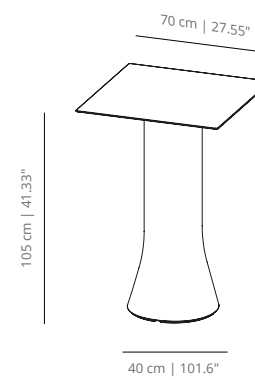
CAD80HEX
table round 80 | 31¹/₂"



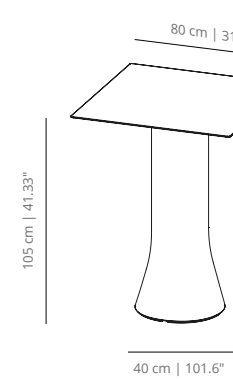
CAD100HEX
table round 100 | 39³/₈"



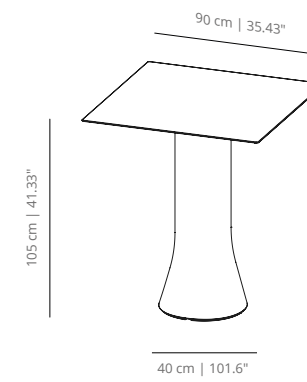
CAC70HEX
table 70x70 | 27⁹/₁₆"x27⁹/₁₆"



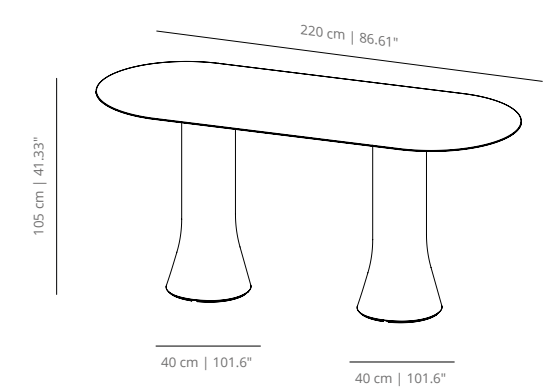
CAC80HEX
table 80x80 | 31¹/₂"x31¹/₂"



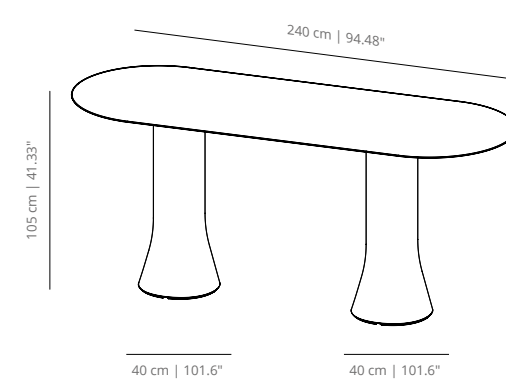
CAC90HEX
table 90x90 | 35⁷/₁₆"x35⁷/₁₆"



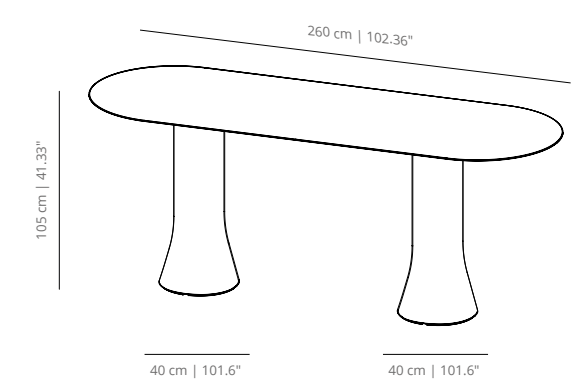
CAC220HEX
table 220x900 | 86³⁹/₆₄"x354²¹/₆₄"



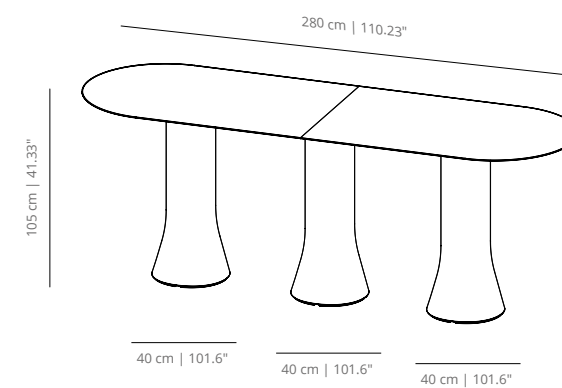
CAC240HEX
table 240x900 | 94³¹/₆₄"x354²¹/₆₄"



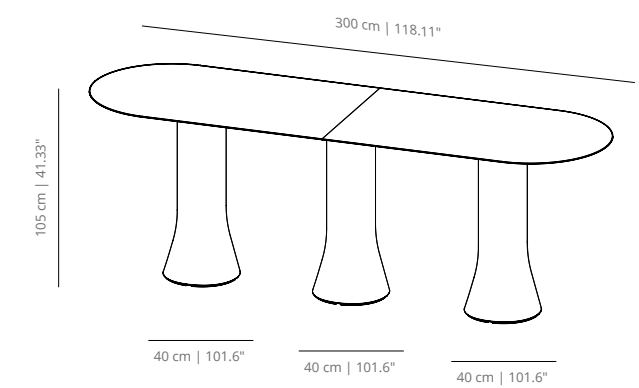
CAC260HEX
table 260x900 | 102²³/₆₄"x59¹/₆₄"



CAC280HEX
table 280x900 | 110¹⁵/₆₄"x59¹/₆₄"



CAC300HEX
table 300x900 | 118⁷/₆₄"x59¹/₆₄"



FINISHES

TABLETOPS MATERIALS

Compact

12 mm thick compact laminated table top. The edge can be in black or white. With a black edge, the surface of the tabletop can be black or white; for a white edge, it can be white.



black



white

NOTE: This product is made for a controlled outdoor environment.

BASE OPTIONS

Central support available in roto-moulded polyethylene in white, black or taupe.



white
RAL 9003

black
RAL 9005

taupe
RAL 1019

ACCESSORIES & ELECTRIFICATIONS



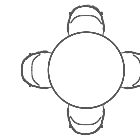
USB hub with battery. USB hub with two USB device charging ports without being plugged into electric current. It's needed to buy the battery charging tray to charge the USB hub battery.



Battery charging tray. Charges up to four stations simultaneously in 7 hours. Includes magnetic key to remove the station from its support

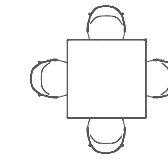
NOTE: Outdoor cover available to protect the product from water, humidity and sunlight.

SEATING CAPACITY CAMBIO HEIGHT 74 | 29^{3/4}"



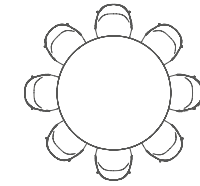
Up to 4

D60 - D100 cm | D23.6" - D39.4"



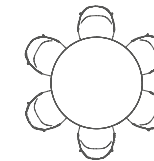
Up to 4

70x70 - 90x90 cm | 27.6x27.6" - 35.4x35.4"



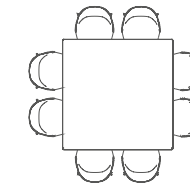
Up to 8

D150 - D180 cm | D59" - D70.9"



Up to 6

D120 cm | D47.24"

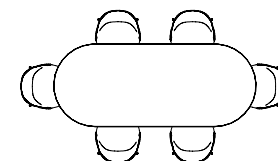


Up to 8

140x140 cm | 55.1x55.1"

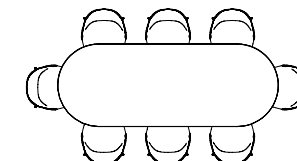
*Seats calculated using Maarten chair, might differ when choosing other models

SEATING CAPACITY CAMBIO HEIGHT 105 | 41^{13/32}"



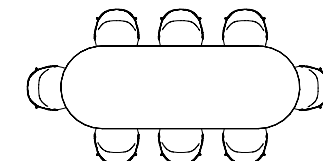
Up to 6

220x900 cm | 86.61"x35.43"



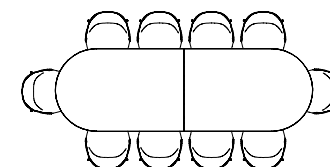
Up to 8

240x900 cm | 94.48"x35.43"



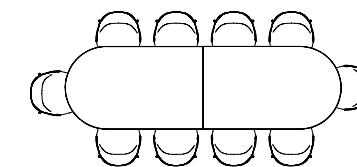
Up to 8

260x900 cm | 102.36"x35.43"



Up to 10

280x900 cm | 110.23"x35.43"



Up to 10

300x900 cm | 118.11"x35.43"

*Seats calculated using Aleta stool, might differ when choosing other models

Let's talk

We want to help you find the best designs for your project. Get in touch and our team will get back to you as soon as possible.

+ CONTACT US